

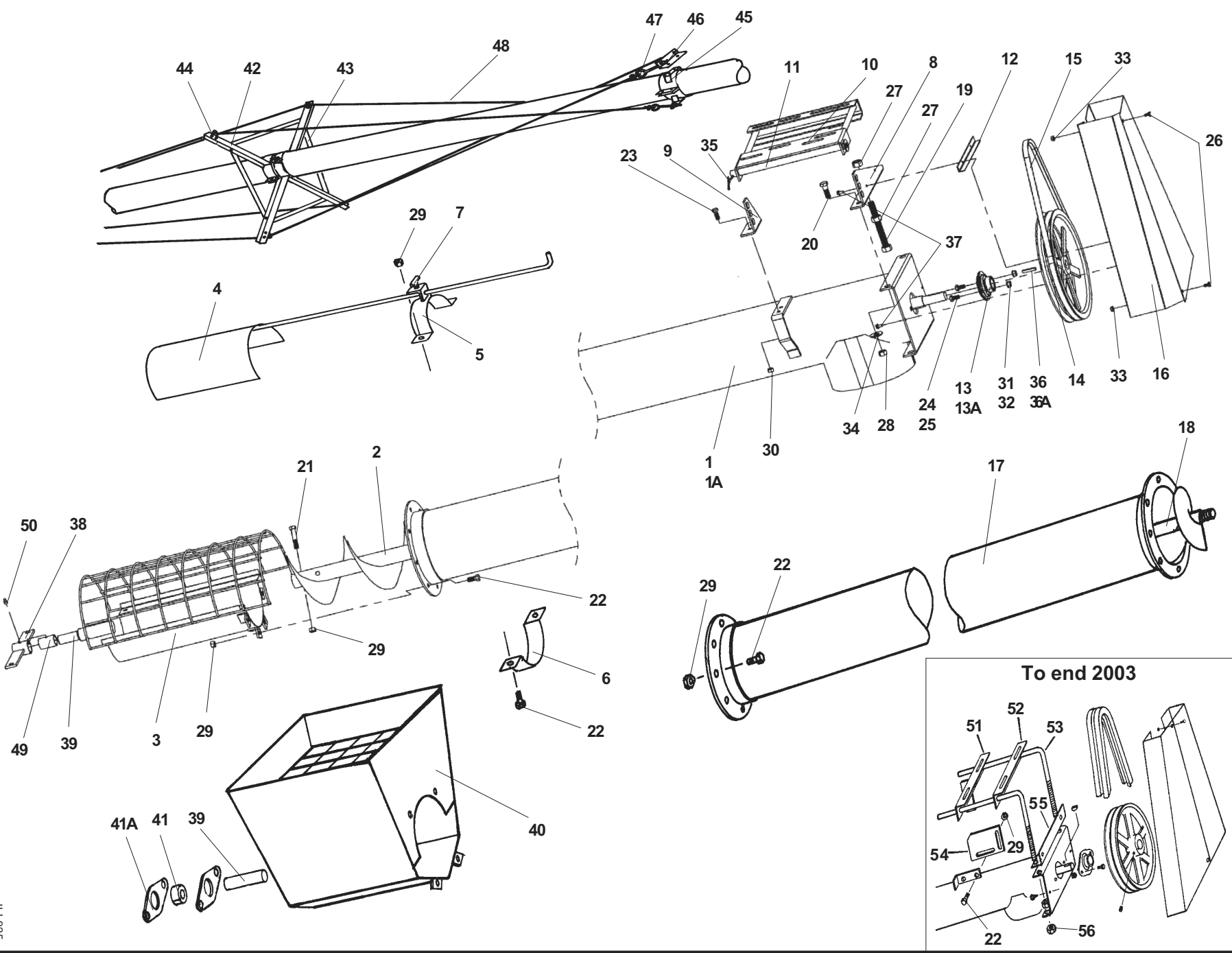


# UTILITY AUGER

Description	Page
UT-6, UT-7, and UT-8 utility auger .....	E2-3
UT-10 utility auger .....	E4-5
UT-13 utility auger .....	E6-7
UT-4 utility auger .....	E8

UTILITY AUGER	<b>E</b>
---------------	----------

# UT-6, UT-7, UT-8 Utility Auger

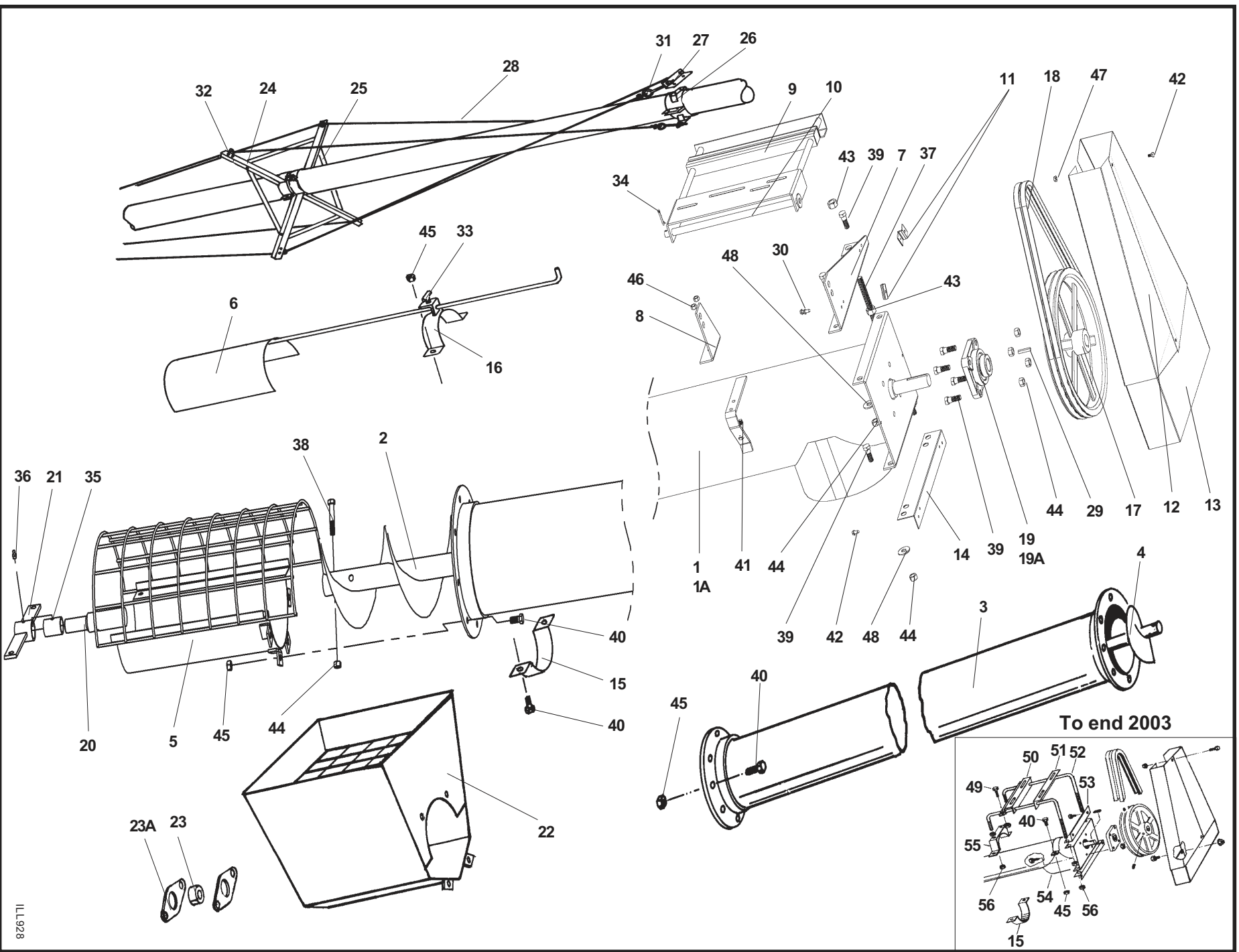


To end 2003

REF. NO.	PART NO.			PARTS DESCRIPTION	NO. REQ'D
	6"	7"	8"		
1	19820	19821	19822	Basic tube section w/end plate	1
1A	19823	19824	19825	Basic tube & flight bundle, as shipped	1
2	19826	19827	19828	Basic flight section	1
3	19829	19830	19831	Intake shield assembly	1
4	19832	19833	19834	Feed control	1
5	19835	19836	19837	Feed control clamp	1
6	19022	19199	19460	Tube halfband	1
7	19838	19838	19838	T-Bolt	1
8	27460	27460	27460	Front mount plate	1
9	27461	27461	27461	Rear mount plate	1
10	27462	27462	27462	Motor mount	1
11	27463	27463	27463	Hinge rod	1
12	27464	27464	27464	Shield strap	1
13	19321	19321	—	1" flangette bearing	
13	—	—	19322	1-1/4" flangette bearing	
13A	18817	18817	—	1" bearing, less flanges	
13A	—	—	18853	1-1/4" bearing, less flanges	
14	19613	19613	19613	Double groove 13" pulley	1
15	19843	19844	19844	Belt, B48 on 6", B51 on 7" & 8"	2
16	19845	19845	19845	Pulley shield	1
17	19846	19847	19848	5' extension tube section	1
17	19849	19850	19851	10' extension tube section	1
17	19852	19853	19854	15' extension tube section	1
18	19855	19856	19857	5" extension flight section	1
18	19858	19859	19860	10' extension flight section	1
18	19861	19862	19863	15' extension flight section	1
19	27249	27249	27249	Adjust bolt, 5/8" x 6"	1
20	19589	19589	19589	Bolt, 1/2" - 13 x 1-1/2", grade 5	
21	—	—	19545	Bolt, 7/16" - 14 x 2-1/4", grade 8	
22	19542	19542	19542	Bolt, 7/16" - 14 x 1", grade 5	
23	18955	18955	18955	Bolt, 3/8" - 16 x 1", grade 5	
24	—	—	19540	Bolt, 3/8" - 16 x 3/4", grade 2	
25	19538	19538	—	Bolt, 5/16" - 18 x 3/4", grade 2	
26	19537	19537	19537	Bolt, 1/4" - 20 x 1/2", grade 5	
27	19864	19864	19864	Hexnut, 5/8" - 11	
28	19599	19599	19599	Locknut, 1/2" - 13	
29	19598	19598	19598	Locknut, 7/16" - 14	
30	17402	17402	17402	Locknut, 3/8" - 16	
31	—	—	19596	Washer-locknut, 3/8" - 16	
32	19595	19595	—	Washer-locknut, 5/16" - 18	
33	19594	19594	19594	Washer-locknut, 1/4" - 20	
34	17401	17401	17401	Flat washer, 1/2"	
35	19271	19271	19271	Cotter pin, 1/8" x 1-1/2"	
36	—	—	19606	SQ key, 1/4" x 1-1/2"	
36A	19224	19224	—	Woodruff key, 1/4" x 1"	
37	19274	19274	19274	Selftapping screw, #14 x 5/8", w/washerhead	

REF. NO.	PART NO.			PARTS DESCRIPTION	NO. REQ'D
	6"	7"	8"		
38	19868	19869	19870	Flight shaft support bushing	1
39	19871	19871	19872	Stub shaft	1
40	19873	19874	19875	Intake hopper	1
41	18690	18690	18690	Hopper bearing, hardwood, less flanges	1
41A	18694	18694	18694	1" Bearing flange, single, 2 bolt	2
42	19876	19877	19878	Truss strut w/half ring, single	4
43	19879	19879	19879	Truss brace, single	4
44	19333	19333	19333	5/16" cable damp	12
45	19880	19881	19882	Truss anchor half ring	4
46	19332	19332	19332	Truss attach angle	4
47	19331	19331	19331	Eye bolt, with nut	8
48	19883	19883	19883	5/16" truss cable, 30' long, single	4
48	19884	19884	19884	5/16" truss cable, 40' long, single	4
49	19149	19149	19149	Bushing 1"	1
50	19222	19222	19222	Grease fitting	1
—	19865	19866	19867	Utility auger carton, as packed	
<b>OLD PARTS TO END 2003</b>					
51	19839	19839	19839	Back mount angle	1
52	19840	19840	19840	Front mount angle	1
53	19841	19841	19841	Mount adjust rod	2
54	19842	19842	19842	Adjust plate	1
55	18449	18449	18449	Pulley shield angle	1
56	19864	19864	19864	Hexnut, 5/8" - 11	

# UT-10 Utility Auger



E4

Jan-05

1LL928

Jan-05

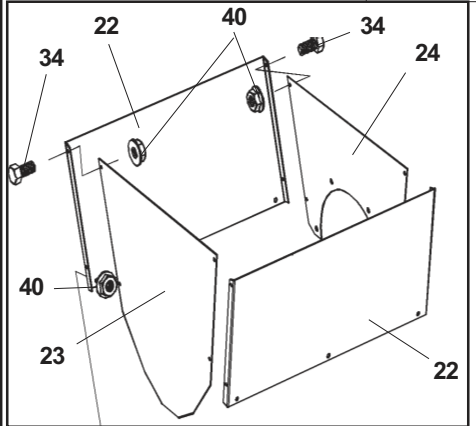
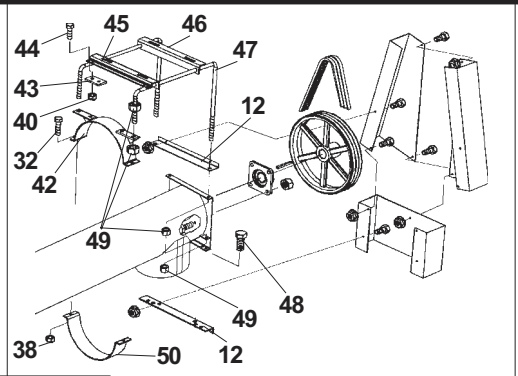
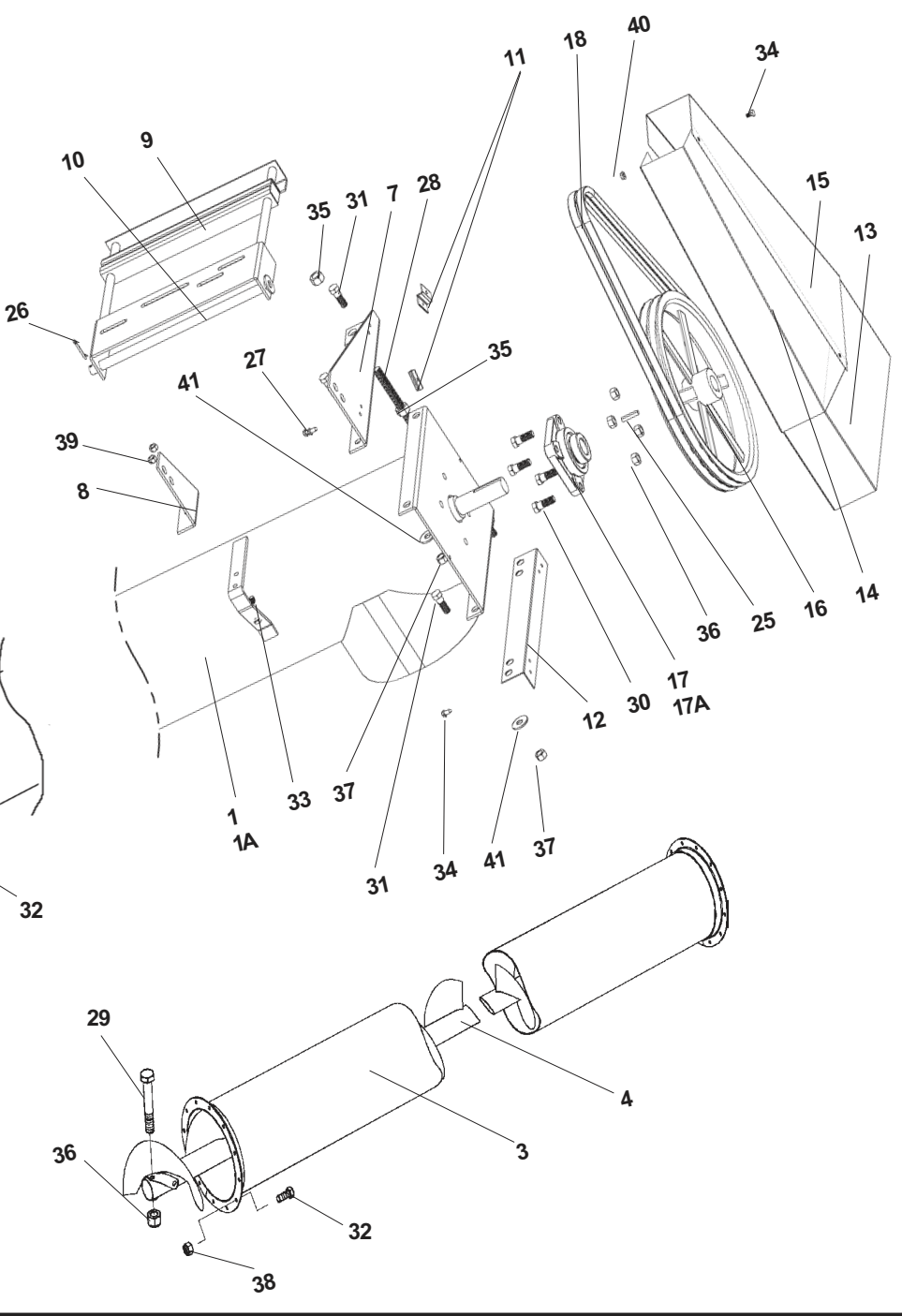
REF. NO.	PART NO.	PARTS DESCRIPTION	NO. REQ'D
1	<b>18235</b>	Basic tube section	1
1A	<b>18355</b>	Basic tube & flight bundle, as shipped	
2	<b>18236</b>	Basic flight section	1
3	<b>18254</b>	5' Extension tube	
3	<b>18256</b>	10' Extension tube	
3	<b>18258</b>	15' Extension tube	
4	<b>18255</b>	5' Extension flight	
4	<b>18257</b>	10' Extension flight	
4	<b>18259</b>	15' Extension flight	
5	<b>18237</b>	Intake shield assembly	1
6	<b>18238</b>	Feed control	1
7	<b>27465</b>	Front mount plate	1
8	<b>27466</b>	Rear mount plate	1
9	<b>27467</b>	Motor mount	1
10	<b>27468</b>	Hinge rod	1
11	<b>27469</b>	Shield spacer	2
12	<b>19845</b>	Pulley shield	1
13	<b>19930</b>	Pulley shield extension	1
14	<b>18245</b>	Shield mount, lower	1
15	<b>19801</b>	Tube half band	1
16	<b>18246</b>	Feed control clamp	1
17	<b>19950</b>	Double groove 15" pulley 1-1/4" bore	1
18	<b>19934</b>	Belt, B-62	2
19	<b>19567</b>	1-1/4" Bearing, 4 bolt	1
19A	<b>18852</b>	1-1/4" Bearing less flange	
20	<b>18247</b>	Stub shaft	1
21	<b>18248</b>	Flight support w/bushing, grease fitting	1
22	<b>18249</b>	Hopper	
23	<b>18691</b>	Hopper bearing, hardwood, less flanges	
23A	<b>18695</b>	1-1/4" bearing flange, single, 2 bolt	
24	<b>18250</b>	Truss strut w/half ring, single	4
25	<b>18251</b>	Truss brace, single	4
26	<b>18252</b>	Truss anchor half band	2
27	<b>19332</b>	Truss attach angle	4
28	<b>19883</b>	5/16" Truss cable, 30' long, single	
28	<b>19884</b>	5/16" Truss cable, 40' long, single	
29	<b>17854</b>	Square key, 1/4" x 2-1/2"	1
30	<b>19274</b>	Self tapping screw #14 x 5/8", w/washer head	4
31	<b>19331</b>	Eyebolt & nut	8
32	<b>19333</b>	5/16" Cable clamp	12

E5

REF. NO.	PART NO.	PARTS DESCRIPTION	NO. REQ'D
33	<b>19838</b>	T-Bolt	1
34	<b>19271</b>	Cotter pin, 1/8" x 1-1/2"	1
35	<b>19776</b>	Bushing, 1-1/4"	1
36	<b>19222</b>	Press in grease fitting	1
37	<b>27249</b>	Adjust bolt, 5/8" x 6"	1
38	<b>19798</b>	Bolt, 1/2" - 13 x 2-3/4", grade 8	
39	<b>19589</b>	Bolt, 1/2" - 13 x 1-1/2", grade 5	
40	<b>19542</b>	Bolt, 7/16" - 14 x 1", grade 5	
41	<b>18955</b>	Bolt, 3/8" - 16 x 1", grade 5	
42	<b>19537</b>	Bolt, 1/4" - 20 x 1/2", grade 5	
43	<b>19864</b>	Hexnut, 5/8" - 11	
44	<b>19599</b>	Locknut, 1/2" - 13	
45	<b>19598</b>	Locknut, 7/16" - 14	
46	<b>17402</b>	Locknut, 3/8" - 16	
47	<b>19594</b>	Washer-locknut, 1/4" - 20	
48	<b>17401</b>	Flat washer, 1/2"	
---	<b>18356</b>	UT-10 Utility auger carton, as packed	
		<b>OLD PARTS TO END 2003</b>	
49	<b>19951</b>	Bolt, 1/4" - 20 x 1-1/4", grade5	
50	<b>18242</b>	Mounting angle, rear	1
51	<b>18243</b>	Mounting angle, front	1
52	<b>18239</b>	Motor mount rod	2
53	<b>18244</b>	Shield mount, upper	1
54	<b>18253</b>	Strap on spout	1
55	<b>18240</b>	Mount Clamp	1
56	<b>19864</b>	Hexnut, 5/8" - 11	

UT-10 Utility Auger

# UT-13 Utility Auger



E6

Jan-05

ILL929

Jan-05

REF. NO.	PART NO.	PARTS DESCRIPTION	NO. REQ'D
1	<b>17493</b>	Basic tube section	1
1A	<b>17395</b>	Basic tube & flight bdl, as shipped, incl ref. 5 & 6	
2	<b>17494</b>	Basic flight section	1
3	<b>17499</b>	5' Extension tube	
3	<b>17500</b>	10' Extension tube	
3	<b>17501</b>	20' Extension tube	
4	<b>17491</b>	5' Extension flight	
4	<b>17492</b>	10' Extension flight	
4	<b>18984</b>	20' Extension flight	
5	<b>17495</b>	Intake shield weldment	1
6	<b>17484</b>	Stub shaft	1
7	<b>27465</b>	Front mount plate	1
8	<b>27466</b>	Rear mount plate	1
9	<b>27467</b>	Motor mount	1
10	<b>27468</b>	Hinge rod	1
11	<b>27469</b>	Shield spacer	2
12	<b>18245</b>	Shield mount angle	1
13	<b>17487</b>	Pulley shield extension	1
14	<b>17485</b>	Pulley shield, RH	1
15	<b>17486</b>	Pulley shield, LH	1
16	<b>17396</b>	Pulley, 16" triple groove, 1-3/4" bore	1
17	<b>18518</b>	Bearing, c/w 4 bolt flange, 1-3/4"	1
17A	<b>17527</b>	Bearing less flange, 1-3/4"	1
18	<b>19935</b>	Belt, B67	3
19	<b>18944</b>	Bushing, 1-3/4"	2
20	<b>17502</b>	Bushing spacer	1
21	<b>19222</b>	Press in grease fitting	1
22	<b>17488</b>	Side panel	2
23	<b>17489</b>	End panel, rear	1
24	<b>17490</b>	End panel, front	1
25	<b>18541</b>	Square key, 3/8" x 3-1/2" long	1
26	<b>19271</b>	Cotter pin, 1/8" x 1-1/2"	1
27	<b>19274</b>	Self tapping screw, #14 x 5/8", w/washer head	
28	<b>27249</b>	Adjust bolt, 5/8" x 6"	1
29	<b>18545</b>	Bolt, 5/8" - 11 x 4-1/2", grade 5	
30	<b>19977</b>	Bolt, 5/8" - 11 x 1-3/4", grade 5	
31	<b>19589</b>	Bolt, 1/2" - 13 x 1-1/2", grade 5	
32	<b>18698</b>	Bolt, 7/16" - 14 x 1-1/4", grade 8	
33	<b>18955</b>	Bolt, 3/8" - 16 x 1", grade 5	
34	<b>19537</b>	Bolt, 1/4" - 20 x 1/2", grade 2	
35	<b>19864</b>	Hexnut, 5/8" - 11	
36	<b>19600</b>	Locknut, 5/8" - 11	

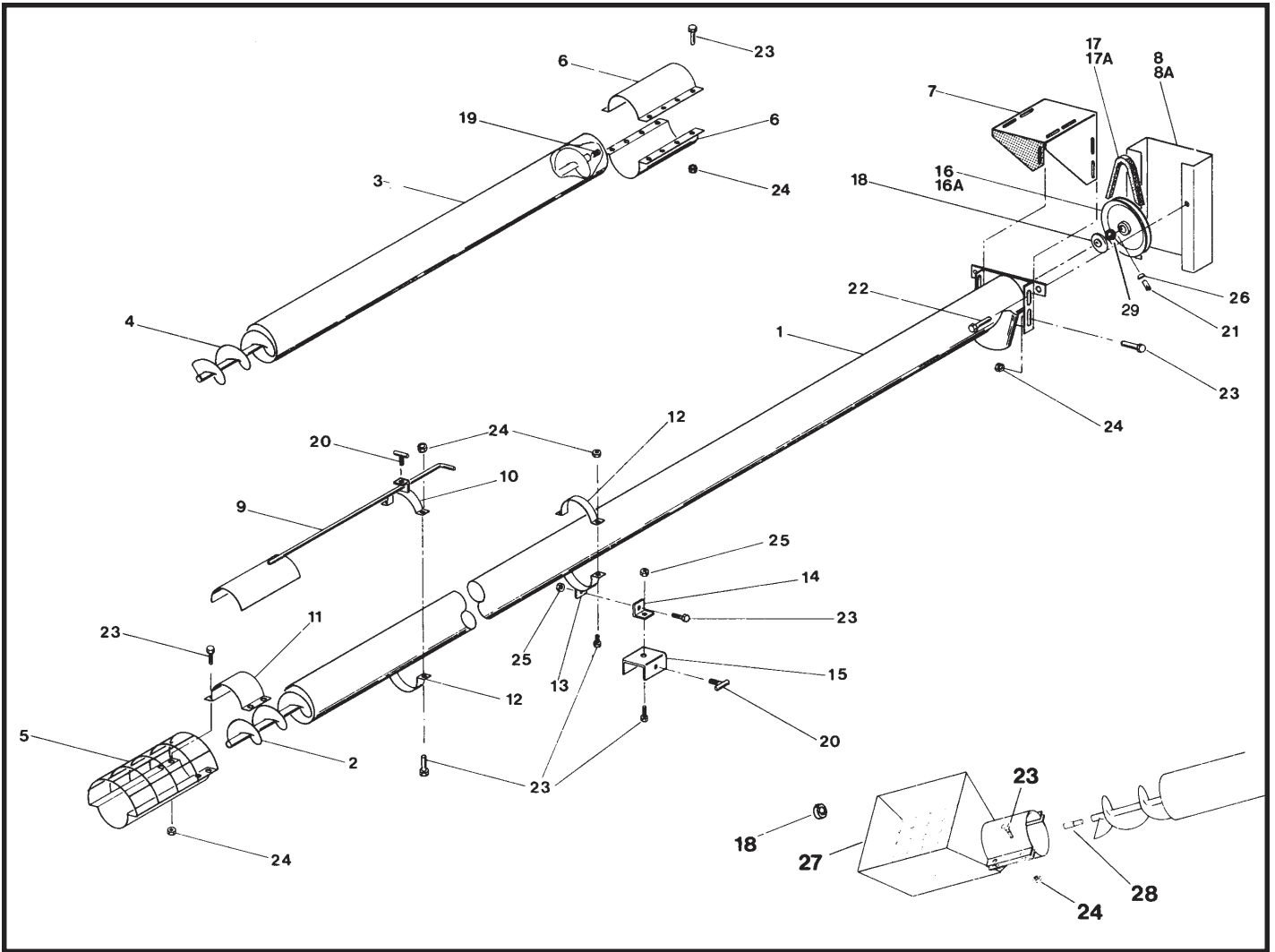
E7

REF. NO.	PART NO.	PARTS DESCRIPTION	NO. REQ'D
37	<b>19599</b>	Locknut, 1/2" - 13	
38	<b>19598</b>	Locknut, 7/16" - 14	
39	<b>17402</b>	Locknut, 3/8" - 16	
40	<b>19594</b>	Washer-locknut, 1/4" - 20	
41	<b>17401</b>	Flat washer, 1/2"	
---	<b>17538</b>	UT-1321 basic carton	
		<b>OLD PARTS END TO 2003</b>	
42	<b>17496</b>	Mount clamp	1
43	<b>18241</b>	Mounting plate	1
44	<b>19951</b>	Bolt, 1/4" - 20 x 1-1/4"	
45	<b>17528</b>	Mounting angle, rear	1
46	<b>17529</b>	Mounting angle, front	1
47	<b>18239</b>	Motor mount rod	2
48	<b>19590</b>	Bolt, 5/8" - 11 x 1-1/2"	
49	<b>19864</b>	Hexnut, 5/8" - 11	
50	<b>18987</b>	Tube half band	1

UT-13 Utility Auger



# UT-4 Utility Auger



REF. NO.	PART NO.	PARTS DESCRIPTION
1	18213	Basic tube section
1A	18353	Basic tube & flight bundle, as shipped
2	18214	Basic flight section
3	18215	5' Extension tube
3	18216	10' Extension tube
4	18217	5' Extension flight
4	18218	10' Extension flight
5	18219	Intake shield assembly
6	18220	Tube connector band
7	18221	Motor mount
8	18222	Shield for 6" pulley*
8A	17073	Shield for 8" pulley*
9	18223	Feed control
10	18224	Feed control clamp
11	18226	Intake clamp
12	18225	Tube half band
13	18227	Swivel clamp
14	18228	Swivel bracket
15	18229	Box clamp
16	18230	Single groove 6" pulley *

REF. NO.	PART NO.	PARTS DESCRIPTION
16A	17075	Single groove 8" pulley *
17	18231	Belt, A29, use with 6" pulley*
17A	17074	Belt, A33, use with 8" pulley*
18	18232	7/8" Bearing, Hardwood
19	18233	Flight connector
20	19838	T-Bolt
21	19225	Set screw, 3/8" - 16 x 3/8"
22	19274	Self tapping screw, #14 x 5/8"
23	19538	Bolt, 5/16" - 18 x 3/4", grade 2
24	19595	Washer locknut, 5/16" - 18
25	19980	Locknut, 5/16" - 18
26	19224	Woodruff key, 1/4" x 1"
—	18354	Utility auger carton, as packed
27	17121	Hopper with bearing & stub shaft
28	17122	Stub
29	17314	Rim washer, 7/8"

\* When ordering belts, shields and pulleys, check for correct size.