

# HAYRITE HAY CONVEYOR (Model HEC) – Parts Price List

Effective 10/1/2021

| KEY NO. | DESCRIPTION  | OLD PART NO.    | NEW PART NO. | LIST PRICE |
|---------|--|-----------------|--------------|------------|
| 1       | NUT,NY-IN LOCK,5/16-18,G2,PLT                      | HEC-00001       | F356040      | \$2.19     |
| 2       | CLAMP,EHD/HEC ELEV MOTOR MOUNT                     | HEC-00002       | 70500        | \$10.58    |
| 3       | PIPE,HEC BALE ELEV MOTOR MOUNT                     | HEC-00003       | HEC-00003    | \$53.07    |
| 4       | HHCS,5/16-18 X 3",G5,PLT                           | HEC-00004       | F1072375     | \$3.11     |
| 5       | BEARING W/STRAIGHT ZK,FLANGE,1"ID                  | HEC-00005       | FAH16G       | \$24.32    |
| 6       | WASHER,SPRING LOCK,5/16",PLT                       | HEC-00006       | F805050      | \$1.61     |
| 7       | NUT,HEX,5/16-18,G5,PLT                             | HEC-00007       | F354040      | \$1.61     |
| 9       | BUSHING,MACH,18 X 1-1/32 X 1-1/2",UPLT             | HEC-00009       | F806060      | \$2.19     |
| 10      | SPROCKET,HEC,#55 X 7T X 1"ID                       | HEC-00010       | HEC-00010    | \$74.35    |
| 11      | PIN,ROLL,5/16 X 1-7/8",PLT                         | HEC-00011       | F407055      | \$2.99     |
| 13      | PIN,ROLL,5/16 X 1-1/2",PLT                         | HEC-00013       | F407050      | \$2.99     |
| 14      | WASHER,STD FL,5/16",PLT                            | HEC-00014       | F808030      | \$1.61     |
| 15      | TIGHTENER,NYLON ROLLER CHAIN                       | HEC-00015       | 70449        | \$18.17    |
| 16      | HHCS,5/16-18 X 1-3/4",G5,PLT                       | HEC-00016       | F1072357     | \$3.11     |
| 17      | NUT,HEX,3/8-16,G5,PLT                              | HEC-00017       | F354050      | \$1.61     |
| 18      | WASHER,SPRING LOCK,3/8",PLT                        | HEC-00018       | F805060      | \$1.61     |
| 19      | HHCS,3/8-16 X 1",G5,PLT                            | HEC-00019       | F1072450     | \$3.11     |
| 20      | FRAME W/SHAFT & SPROCKET,DRIVE,8'                  | HEC-00020       | 70420        | \$578.34   |
| 21      | ARM,ELEV MOTOR MOUNT ADJUSTING                     | HEC-00021       | 70431        | \$45.54    |
| 22      | HHCS,5/16-18 X 1",G5,PLT                           | HEC-00022       | F1072345     | \$3.11     |
| 23      | SS,SK-HD,K-P,5/16-18 X 3/8",G2,UPLT                | HEC-00023       | F702037      | \$3.11     |
| 24      | V-BELT,TYPE A,4L450                                | HEC-00024       | 4L450        | \$23.40    |
| 25      | PULLEY,12" X 1"BORE                                | HEC-00025       | 70519        | \$60.72    |
| 26      | SPROCKET W/SHAFT,HEC,#40 X 12T X 1"                | HEC-00026       | HEC-000026   | \$66.70    |
| 27      | LINK W/PIN&CLIP,ROLL CHAIN,#40                     | HEC-00027       | N0401        | \$6.50     |
| 28      | CHAIN W/LINK,ROLLER,#40 X 62 PITCH                 | HEC-00028       | 70016        | \$36.11    |
| 29      | SPROCKET W/SHAFT,HEC,#40 X 50T X 1"                | HEC-00029       | HEC-000029   | \$72.91    |
| 30      | TUBE,RD,DOM,11/64" X 1-3/8" X 1/2"L                | HEC-00030       | 70976        | \$10.58    |
| 31      | HHCS,5/16-18 X 3/4",G5,PLT                         | HEC-00031       | F1072340     | \$3.11     |
| 32      | NUT,WING,3/8-16,G2,PLT                             | HEC-00032       | F358080      | \$2.19     |
| 33      | COVER W/DECALS,HEC/EHD SHIELD                      | HEC-00033       | 70448        |            |
| 34      | NUT,NY-IN LOCK,1/4-20,G2,PLT                       | HEC-00034       | F356030      | \$1.61     |
| 35      | HHCS,1/4-20 X 1-1/2",G5,PLT                        | HEC-00035       | F1072255     | \$3.11     |
| 36      | SHIELD,HEC FRAME(UPPER)                            | HEC-00036       | HEC-000036   |            |
| 37      | SHIELD,HEC/EHD FRAME(LOWER)                        | HEC-00037       | 70447        |            |
| 38      | HHCS,1/4-20 X 3/4",G5,PLT                          | HEC-00038       | F1072245     | \$3.11     |
| 39      | SHAFT,HEC BALE ELEVATOR IDLER                      | HEC-00039       | HEC-000039   | \$31.86    |
| 40      | HH TAP BOLT,3/8-16 X 3-1/2",G2,PLT                 | HEC-00040       | F108555      | \$6.50     |
| 41      | PIPE,PLASTIC,3/4" X 5/8"L                          | HEC-00041       | HEC-000041   | \$6.04     |
| 42      | SPROCKET,CAST IDLER, #55 X 6-TOOTH X .755"         | INCLUDED IN KEY | NO. 55       | \$0.00     |
| 42A     | SPROCKET,W/BEARING #55 X 6T X .772                 | HEC-00042       | AG2426-F     | \$85.04    |
| 43      | CHAIN W/RAISED LINK,BALE,#55,1'                    | HEC-00043       | HC551        | \$9.81     |
| 44      | LINK, BALE ELEV #55 RAISED                         | HEC-00044       | HB4-55       | \$5.19     |
| 45      | IDLER L/PARTS BOX, HEC ELEV,8'                     | HEC-00045       | HEC-8I-LPB   | \$385.65   |
| 46      | DECAL,WARNING-BEFORE STARTING                      | HEC-00046       | 11096        |            |
| 48      | DECAL,DANGER-SHIELDS ARE OFF                       | HEC-00048       | 11097        |            |
| 49      | RETURN,BALE ELEV #55 CHAIN                         | HEC-00049       | HEC-000049   | \$60.72    |
| 50      | U-BOLT,5/16-18 X 1-3/8 X 2-3/16",G2                | HEC-00050       | F105020      | \$2.30     |
| 51      | BUSHING,MACH,18 X 24/32 X 1-1/4",UPLT              | HEC-00051       | F806030      | \$2.19     |
| 52      | PIPE,PLASTIC,3/4" X 1-17/32" (POST 4/15/05)        | N/A             | 71014        | \$6.50     |
| 53      | MANUAL ASSY,HEC BALE ELEV OWNER                    | HEC-00053       | HEC-000053   |            |
| 54      | DECAL,DANGER-FALLING HAY....                       | HEC-00054       | DEC101293    |            |
| 55      | SPROCKET W/SPACER & BUSHINGS,#55 X 6-TOOTH X .755" | N/A             | 71013        | \$95.62    |

\* Specify serial number of elevator

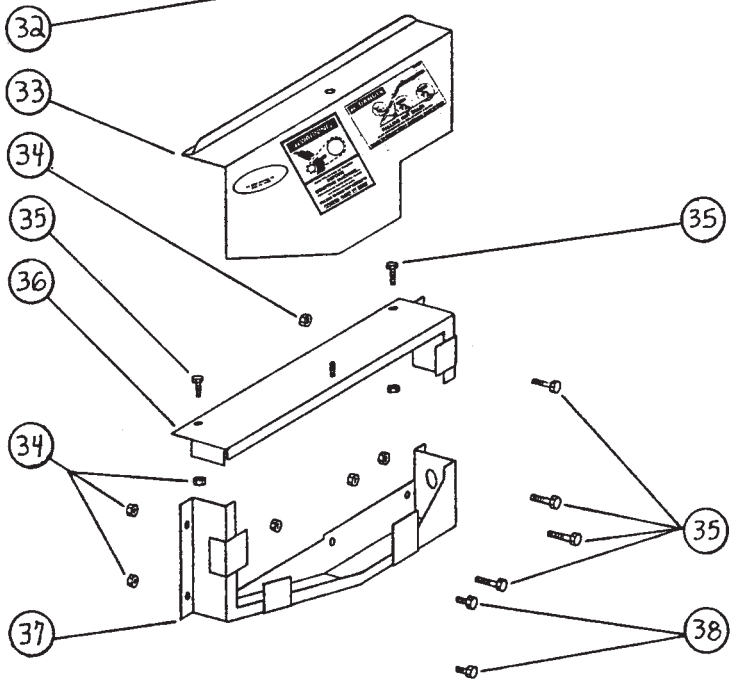
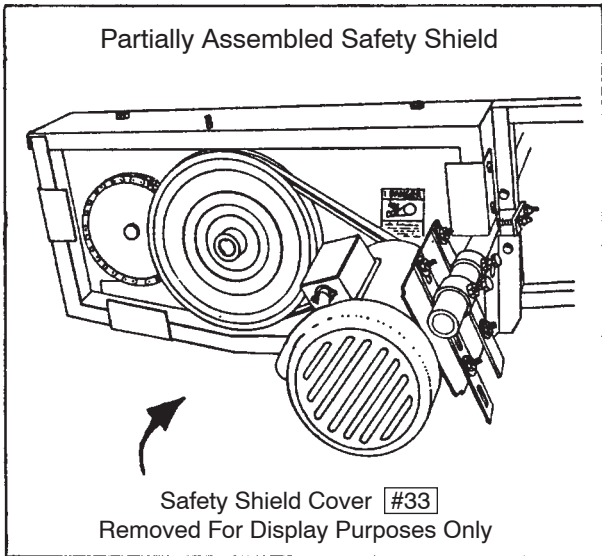
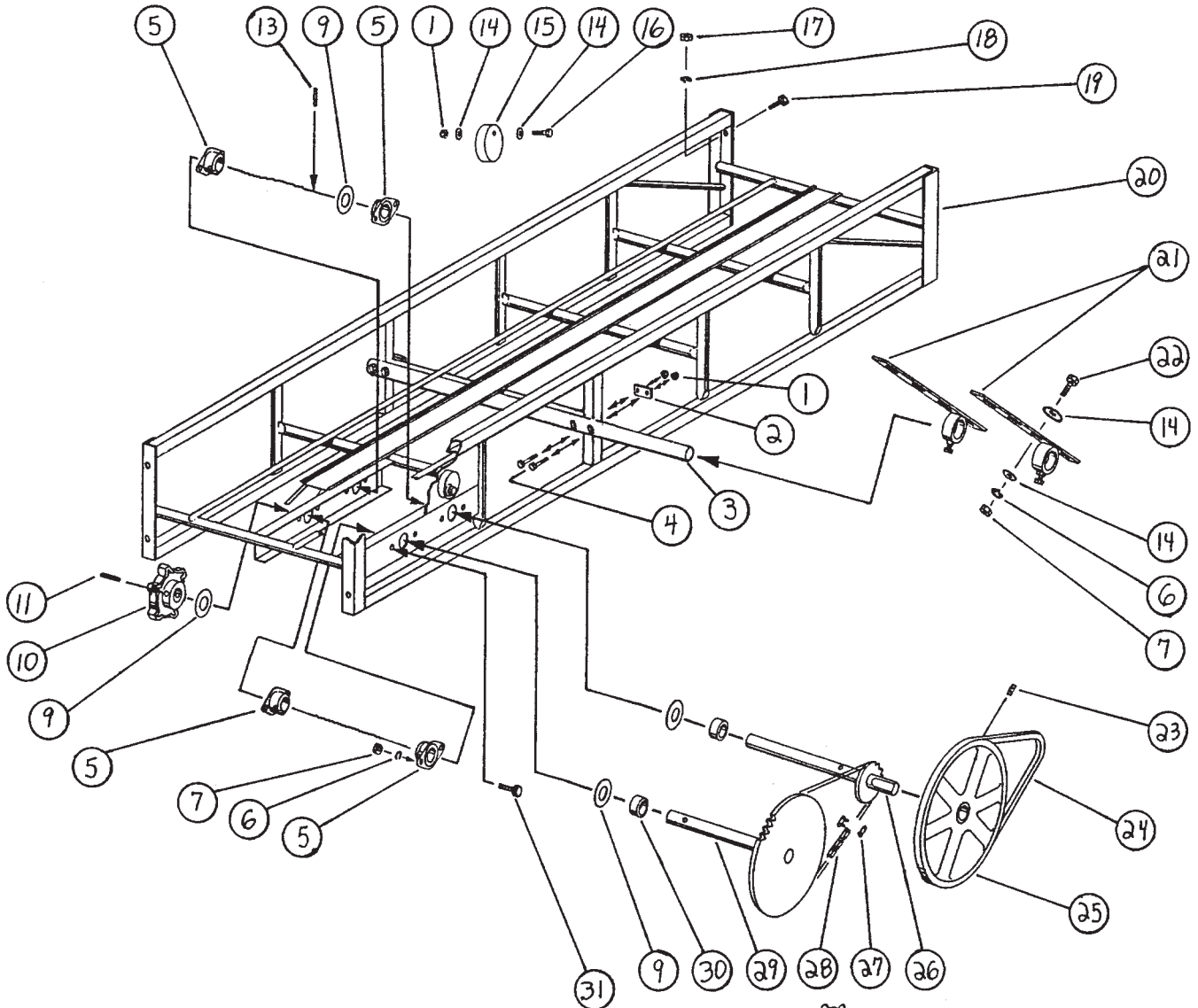
**T. R. Metal Crafters, Inc.**

312 E. Industrial Dr., PO Box 248 • Loyal, WI 54446 Phone: 1-800-842-5349 • Fax: 1-715-255-9268

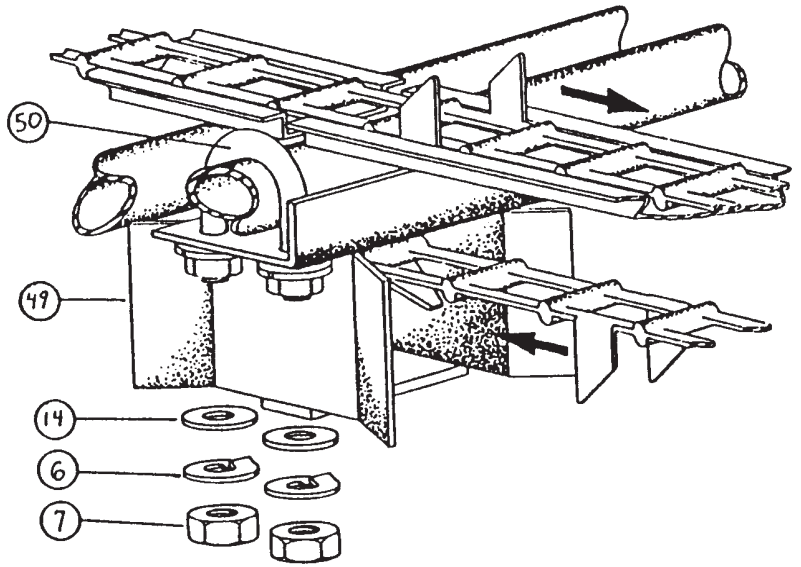
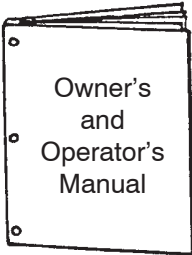
Email: info@trmetalcrafters.com

**ILLUSTRATION A**

**DRIVE END**

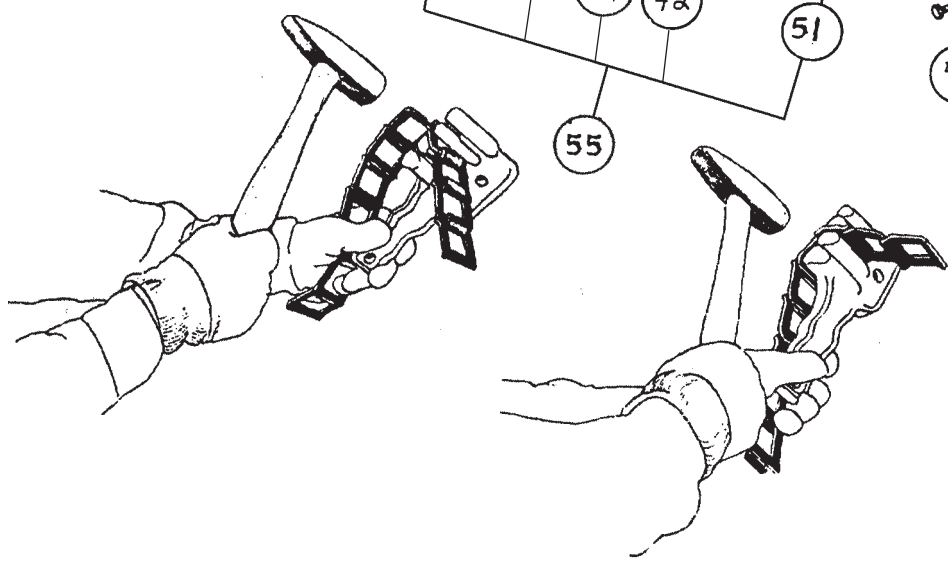
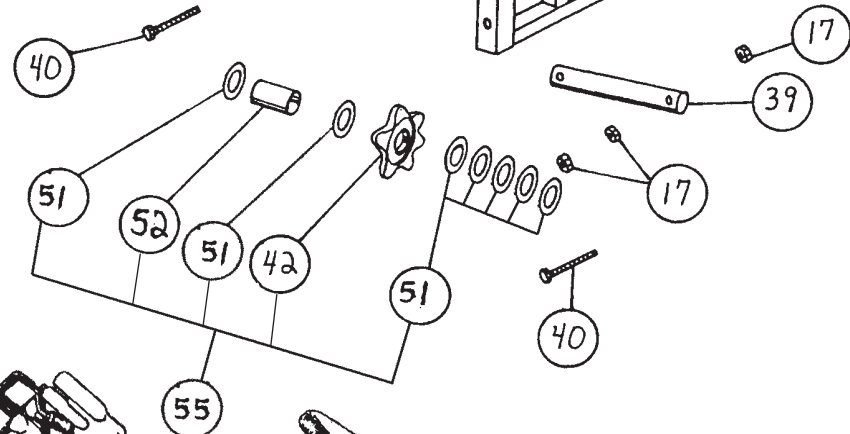
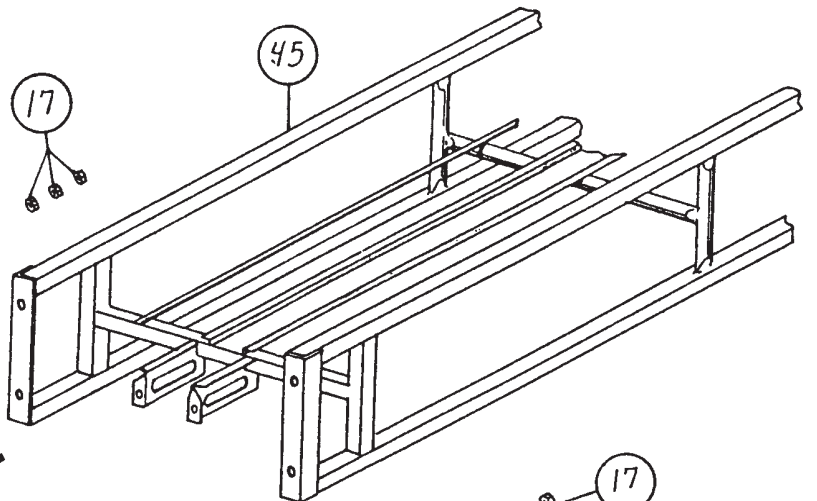
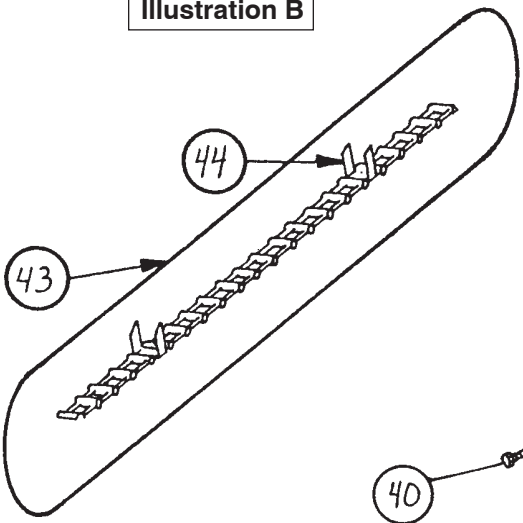


53



**IDLER SECTION**

**Illustration B**

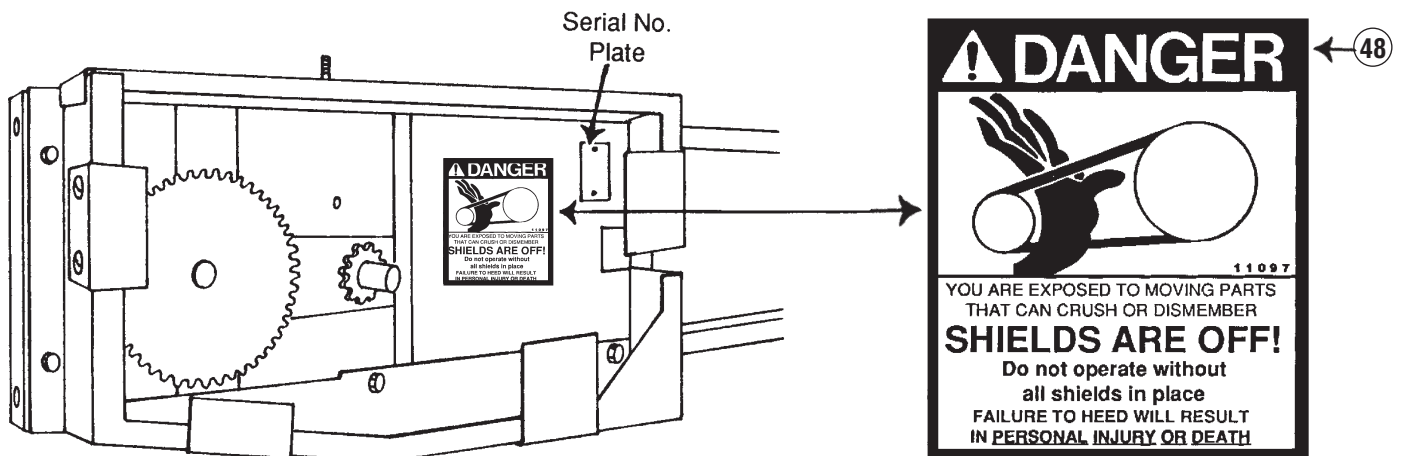
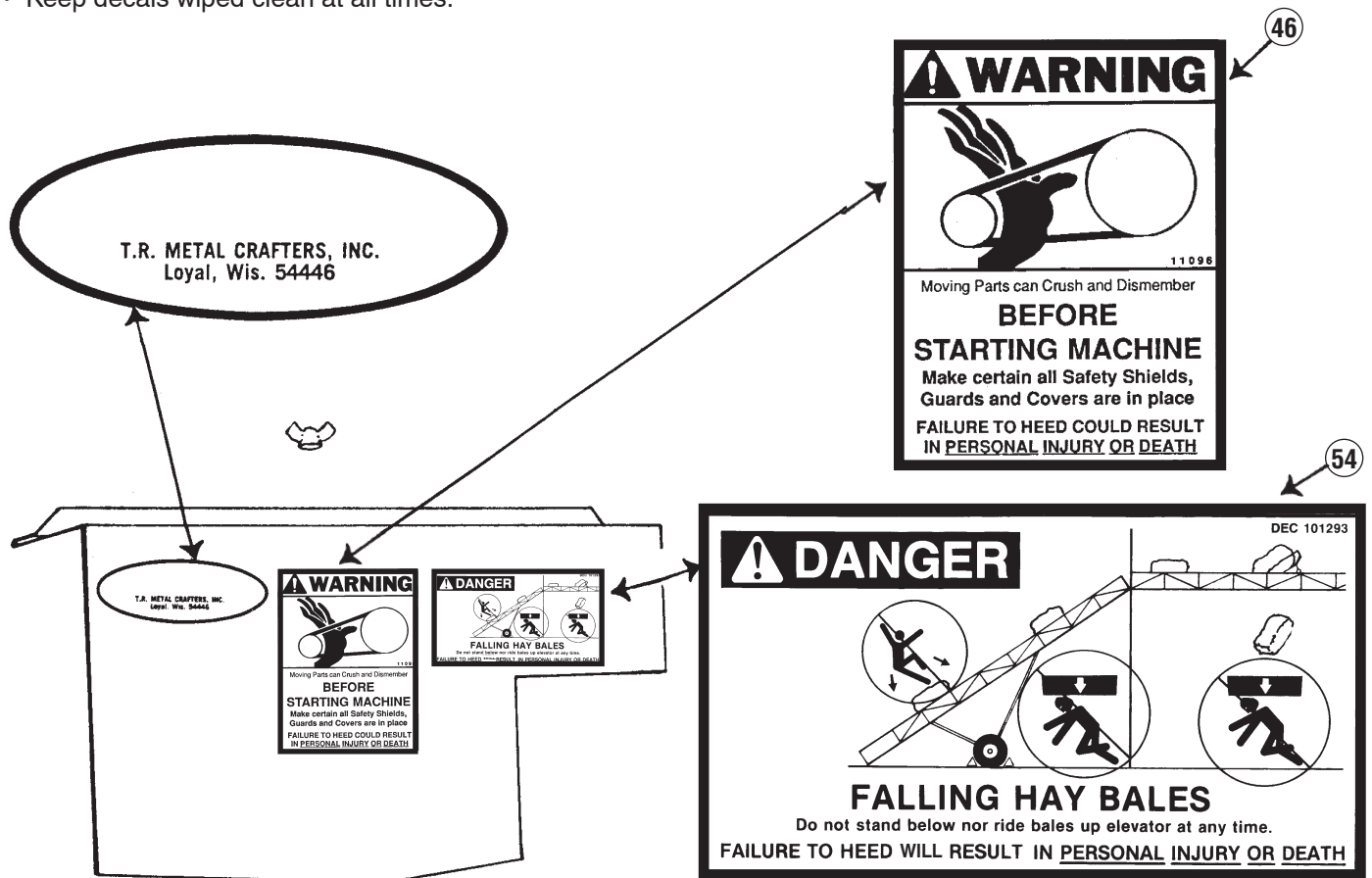


# The Decals Shown On This Page Must Be Displayed As Shown Below

FREE REPLACEMENTS ARE AVAILABLE UPON REQUEST

Contact T. R. Metal Crafters, Inc.; 312 E. Industrial Drive; P.O. Box 248; Loyal, WI 54446  
(Call Toll Free 1-800-842-5349)

- Safety decals must be replaced if they are destroyed, missing, painted over, or can no longer be read.
- New equipment components installed during repair shall be equipped with the same safety decals that were affixed to the original components.
- Keep decals wiped clean at all times.



# — refer to Parts List

# HAYRITE HAY CONVEYOR (Model EHD) – Parts Price List

Effective 10/1/2021

| KEY NO. | DESCRIPTION                            | OLD PART NO. | NEW PART NO. | LIST PRICE |
|---------|--|--------------|--------------|------------|
| 1       | NUT,NY-IN LOCK,5/16-18,G2,PLT          | EHD-00001    | F356040      | \$2.19     |
| 2       | CLAMP,EHD/HEC ELEV MOTOR MOUNT         | EHD-00002    | 70500        | \$10.58    |
| 3       | PIPE,EHD BALE ELEV MOTOR MOUNT         | EHD-00003    | EHD-00003    | \$53.07    |
| 4       | HHCS,5/16-18 X 3",G5,PLT               | EHD-00004    | F1072375     | \$3.11     |
| 5       | BEARING W/STRAIGHT ZK,FLANGE,1"ID      | EHD-00005    | FAH16G       | \$24.32    |
| 6       | WASHER,SPRING LOCK,5/16",PLT           | EHD-00006    | F805050      | \$1.61     |
| 7       | NUT,HEX,5/16-18,G5,PLT                 | EHD-00007    | F354040      | \$1.61     |
| 9       | BUSHING,MACH,18 X 1-1/32 X 1-1/2",UPLT | EHD-00009    | F806060      | \$2.19     |
| 10      | SPROCKET,EHD,#62 X 7T X 1"ID           | EHD-00010    | EHD-000010   | \$74.35    |
| 11      | PIN,ROLL,5/16 X 1-7/8",PLT             | EHD-00011    | F407055      | \$2.99     |
| 13      | PIN,ROLL,5/16 X 1-1/2",PLT             | EHD-00013    | F407050      | \$2.99     |
| 14      | WASHER,STD FL,5/16",PLT                | EHD-00014    | F808030      | \$1.61     |
| 15      | TIGHTENER,NYLON ROLLER CHAIN           | EHD-00015    | 70449        | \$18.17    |
| 16      | HHCS,5/16-18 X 1-3/4",G5,PLT           | EHD-00016    | F1072357     | \$3.11     |
| 17      | NUT,HEX,3/8-16,G5,PLT                  | EHD-00017    | F354050      | \$1.61     |
| 18      | WASHER,SPRING LOCK,3/8",PLT            | EHD-00018    | F805060      | \$1.61     |
| 19      | HHCS,3/8-16 X 1",G5,PLT                | EHD-00019    | F1072450     | \$3.11     |
| 20      | FRAME W/SHAFT & SPROCKET,DRIVE,6'      | EHD-00020    | 70516        | \$852.73   |
| 21      | ARM,ELEV MOTOR MOUNT ADJUSTING         | EHD-00021    | 70431        | \$45.54    |
| 22      | HHCS,5/16-18 X 1",G5,PLT               | EHD-00022    | F1072345     | \$3.11     |
| 23      | SS,SK-HD,K-P,5/16-18 X 3/8",G2,UPLT    | EHD-00023    | F702037      | \$3.11     |
| 24      | V-BELT,TYPE AX43,NOTCHED EDGE          | EHD-00024    | AX43         | \$23.40    |
| 25      | PULLEY,12" X 1"BORE                    | EHD-00025    | 70519        | \$60.72    |
| 26      | SPROCKET W/SHAFT,EHD,#40 X 12T X 1"    | EHD-00026    | EHD-000026   | \$66.70    |
| 27      | LINK W/PIN&CLIP,ROLL CHAIN,#40         | EHD-00027    | N0401        | \$6.50     |
| 28      | CHAIN W/LINK,ROLLER,#40 X 62 PITCH     | EHD-00028    | 70016        | \$36.11    |
| 29      | SPROCKET W/SHAFT,EHD,#40 X 50T X 1"    | EHD-00029    | EHD-000029   | \$72.91    |
| 30      | TUBE,RD,DOM,11/64" X 1-3/8" X 1/2"L    | EHD-00030    | 70976        | \$10.58    |
| 31      | HHCS,5/16-18 X 3/4",G5,PLT             | EHD-00031    | F1072340     | \$3.11     |
| 32      | NUT,WING,3/8-16,G2,PLT                 | EHD-00032    | F358080      | \$2.19     |
| 33      | COVER W/DECALS,HEC/EHD SHIELD          | EHD-00033    | 70448        | #VALUE!    |
| 34      | NUT,NY-IN LOCK,1/4-20,G2,PLT           | EHD-00034    | F356030      | \$1.61     |
| 35      | HHCS,1/4-20 X 1-1/2",G5,PLT            | EHD-00035    | F1072255     | \$3.11     |
| 36      | SHIELD,EHD FRAME(UPPER)                | EHD-00036    | EHD-000036   | #VALUE!    |
| 37      | SHIELD,HEC/EHD FRAME(LOWER)            | EHD-00037    | 70447        | #VALUE!    |
| 38      | HHCS,1/4-20 X 3/4",G5,PLT              | EHD-00038    | F1072245     | \$3.11     |
| 39      | SHAFT,EHD BALE ELEVATOR IDLER          | EHD-00039    | EHD-000039   | \$31.86    |
| 40      | HH TAP BOLT,3/8-16 X 4",G2,PLT         | EHD-00040    | F108560      | \$6.50     |
| 41      | PIPE,PLASTIC,3/4" X 15/16"L            | EHD-00041    | EHD-000041   | \$6.04     |
| 42      | SPROCKET,IDLER,7 TOOTH                 | EHD-00042    | AG2422       | \$85.04    |
| 43      | CHAIN W/RAISED LINK,BALE,#62,1'        | EHD-00043    | HC621        | \$12.71    |
| 44      | LINK, BALE ELEV #62 RAISED             | EHD-00044    | HB4-62       | \$7.51     |
| 45      | IDLER L/PARTS BOX,EHD ELEV,12'         | EHD-00045    | EHD-12I-LPB  | \$742.84   |
| 46      | DECAL,WARNING-BEFORE STARTING          | EHD-00046    | 11096        | #VALUE!    |
| 48      | DECAL,DANGER-SHIELDS ARE OFF           | EHD-00048    | 11097        | #VALUE!    |
| 49      | RETURN,BALE ELEV #62 CHAIN             | EHD-00049    | EHD-000049   | \$60.72    |
| 50      | U-BOLT,5/16-18 X 1-3/8 X 2-3/16",G2    | EHD-00050    | F105020      | \$2.30     |
| 51      | WA,SAE FL,5/8",PLT                     | EHD-00051    | F807070      | \$2.19     |
| 53      | MANUAL ASSY,EHD BALE ELEV OWNER        | EHD-00052    | EHD-000052   |            |
| 54      | DECAL,DANGER-FALLING HAY....           | EHD-00053    | DEC101293    |            |
|         |  |              |              |            |
|         |  |              |              |            |

\* Specify serial number of elevator

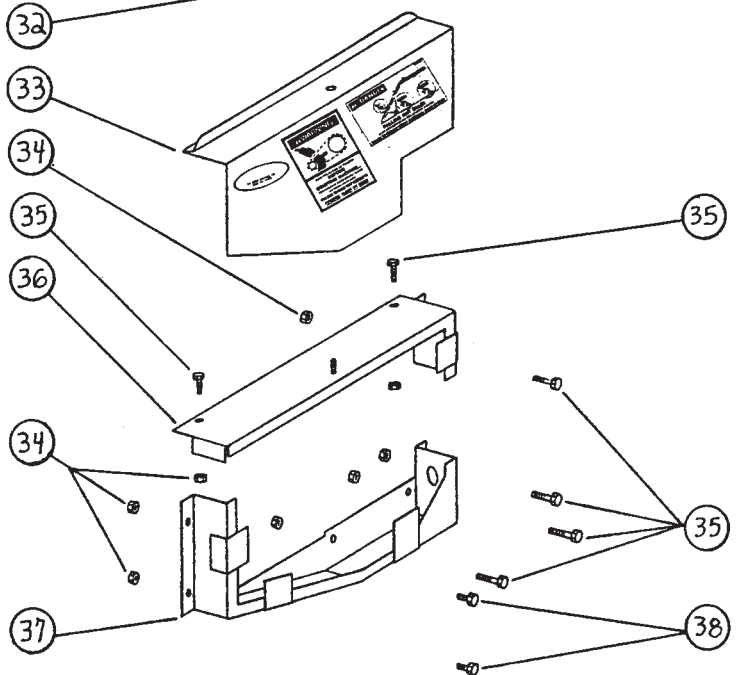
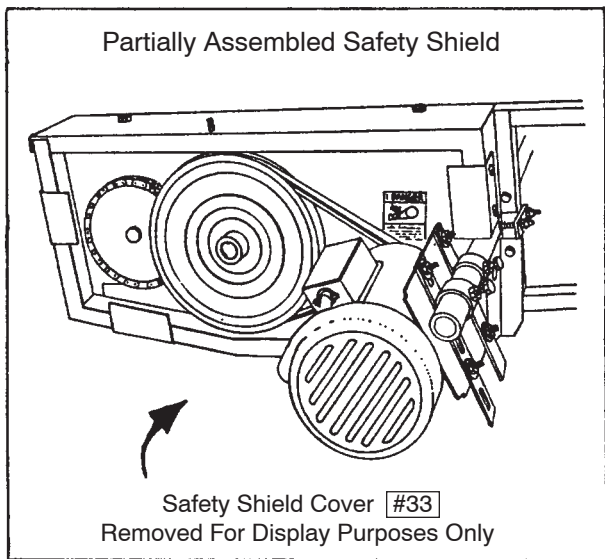
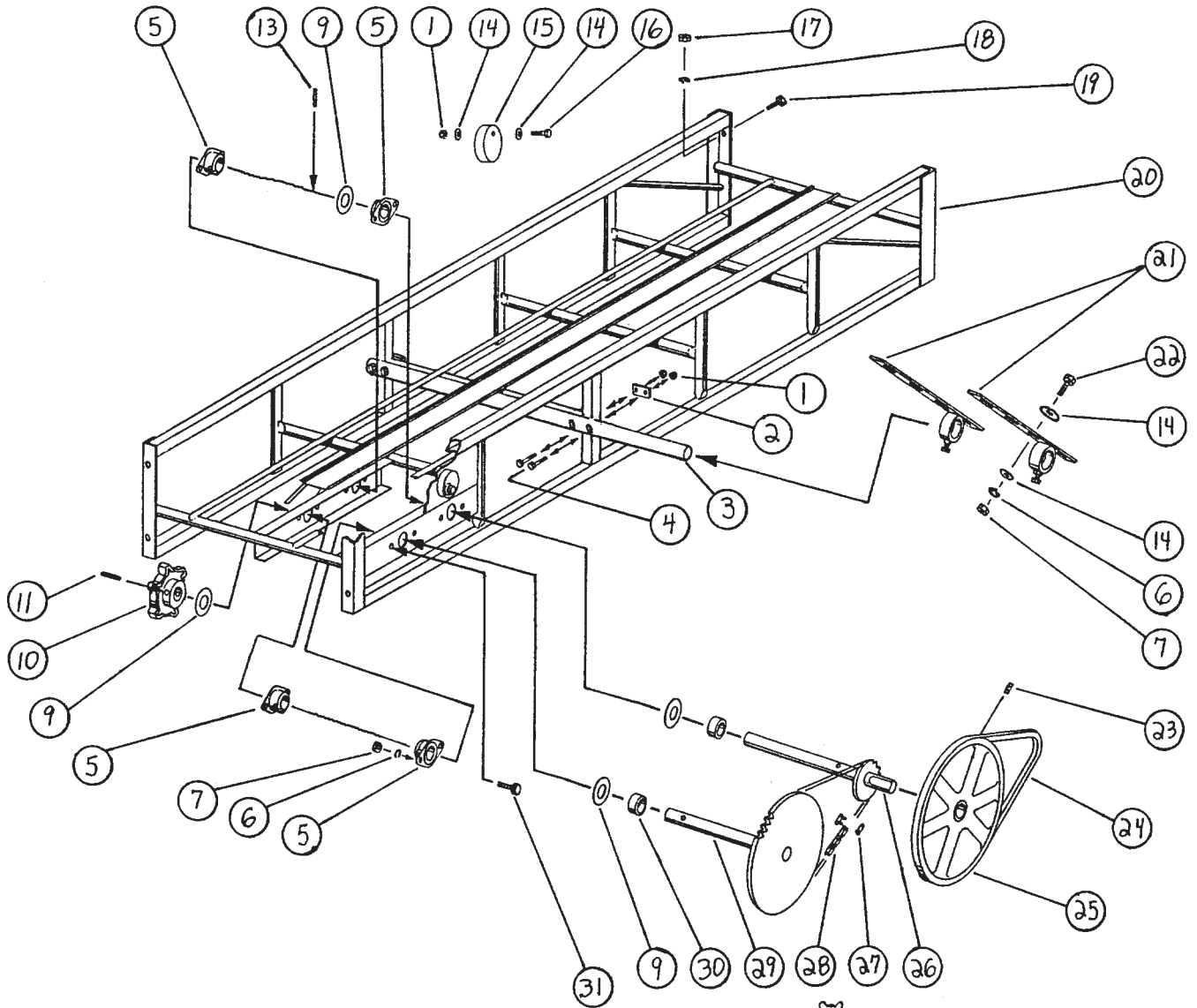
**T. R. Metal Crafters, Inc.**

312 E. Industrial Dr., PO Box 248 • Loyol, WI 54446 Phone: 1-800-842-5349 • Fax: 1-715-255-9268

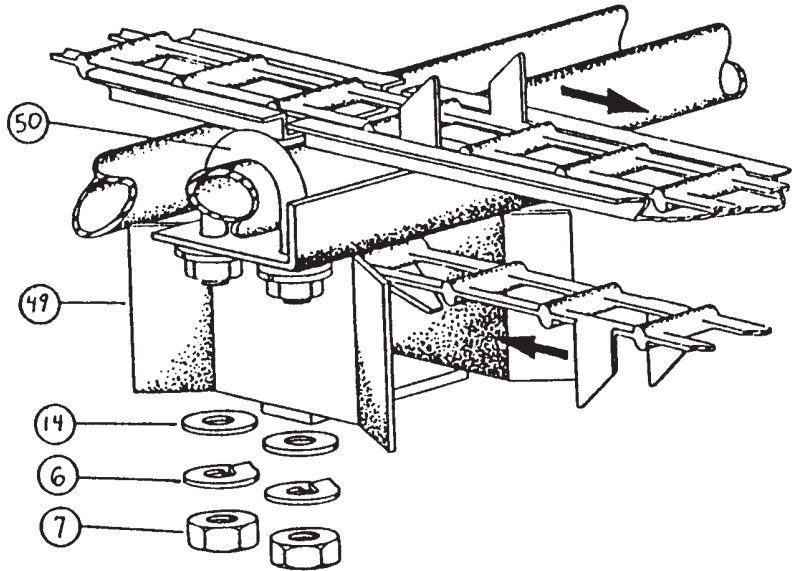
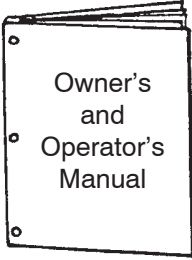
Email: [info@trmetalcrafters.com](mailto:info@trmetalcrafters.com)

ILLUSTRATION A

DRIVE END

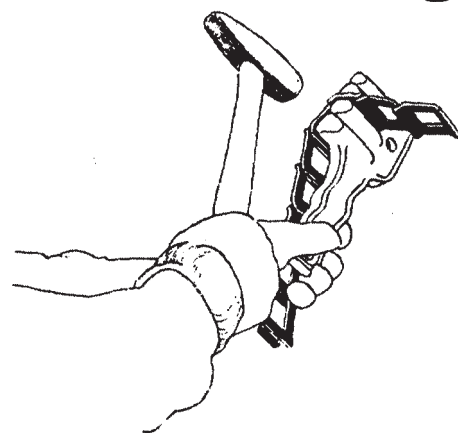
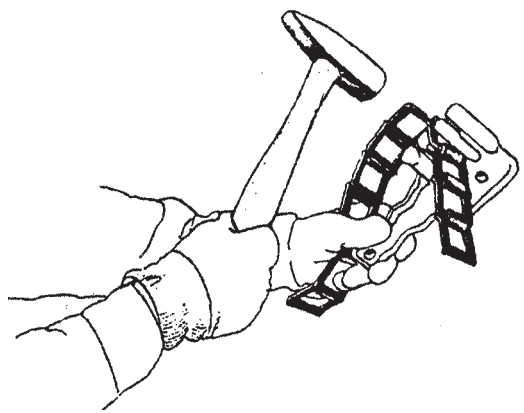
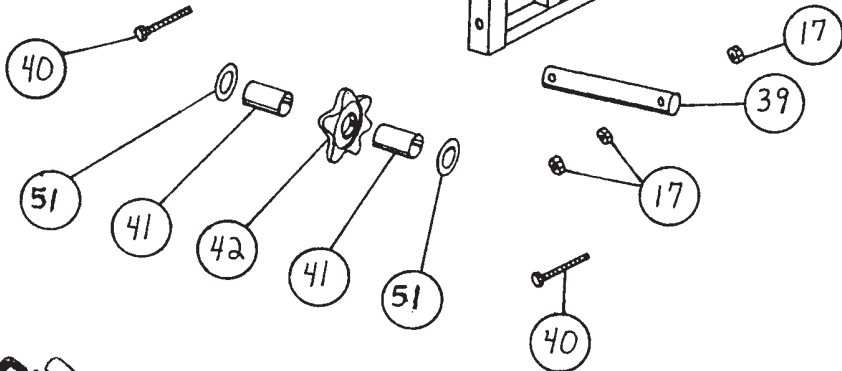
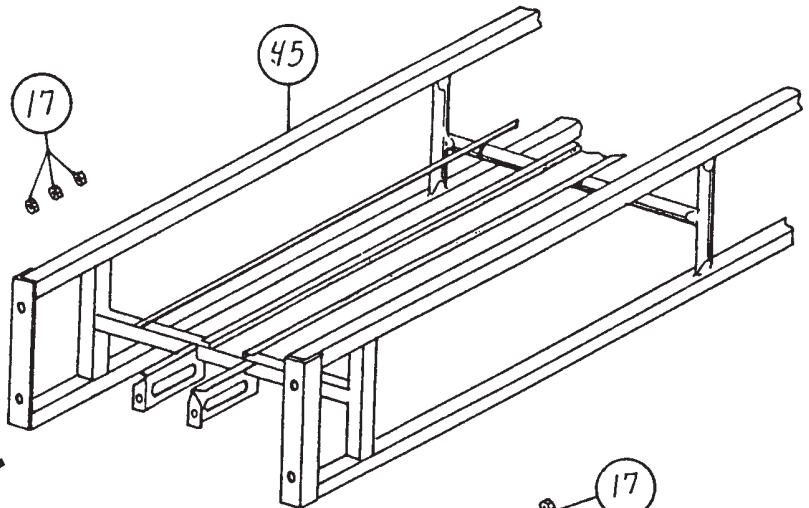
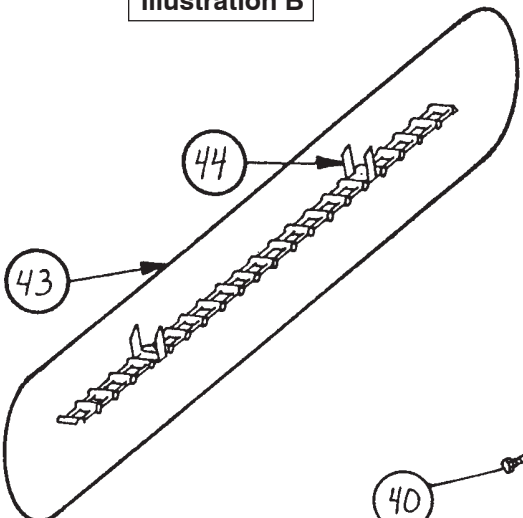


53



**IDLER SECTION**

**Illustration B**

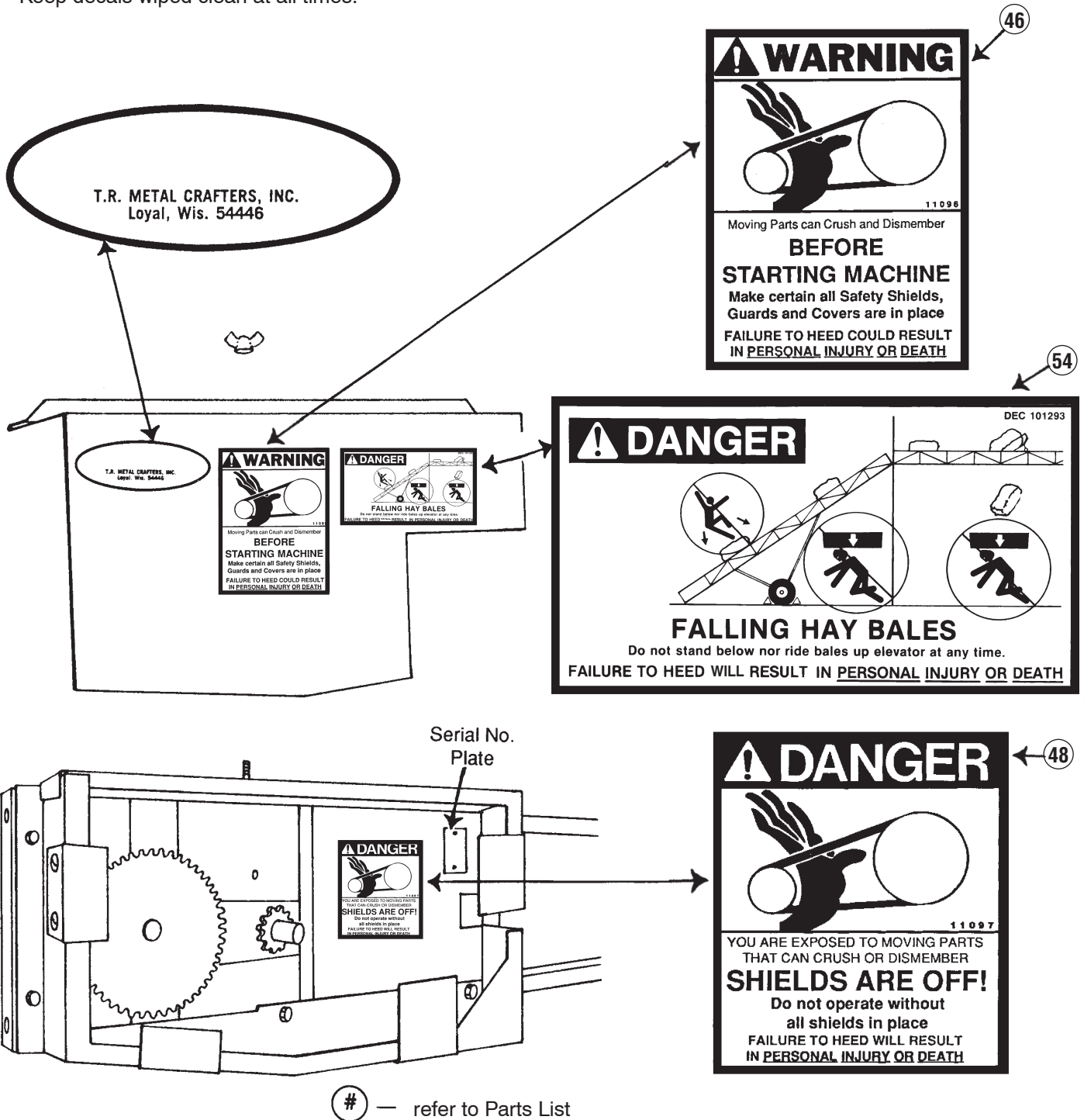


# The Decals Shown On This Page Must Be Displayed As Shown Below

FREE REPLACEMENTS ARE AVAILABLE UPON REQUEST

Contact T. R. Metal Crafters, Inc.; 312 E. Industrial Drive; P.O. Box 248; Loyal, WI 54446  
(Call Toll Free 1-800-842-5349)

- Safety decals must be replaced if they are destroyed, missing, painted over, or can no longer be read.
- New equipment components installed during repair shall be equipped with the same safety decals that were affixed to the original components.
- Keep decals wiped clean at all times.





# HAYRITE HAY CONVEYOR TRANSPORT

## Parts Price List

Effective 10/1/2021

| KEY NO. | DESCRIPTION                     | Model No. HST-10T |              | Model No. HST-20T |              | Model No. HST-40T |              | LIST PRICE |
|---------|---------------------------------|-------------------|--------------|-------------------|--------------|-------------------|--------------|------------|
|         |                                 | OLD PART NO.      | NEW PART NO. | OLD PART NO.      | NEW PART NO. | OLD PART NO.      | NEW PART NO. |            |
| 1       | BOLT,WHEEL,1/2-20 X 1-3/4",UNF  | 10T1              | 13884        | 20T1              | 13884        | 40T1              | 13884        | \$6.50     |
| 2       | RIM,WHEEL,15 X 5 X 4-BOLT,.375  | 10T2              | 10T2         | 20T2              | 10T2         | 40T2              | 10T2         | \$106.26   |
| 3       | CAP,DUST,15/16" OAL             | 10T3              | 13880        | 20T3              | 13880        | 40T3              | 13880        | \$8.45     |
| 4       | PIN, COTTER,5/32 X 1",PLT       | 10T4              | F403040      | 20T4              | F403040      | 140T4             | F403040      | \$3.11     |
| 5       | NUT,BALE TRAN WHEEL HUB CASTLE  | 10T5              | 10T5         | 20T5              | 10T5         | 40T5              | 10T5         | \$8.45     |
| 6       | CONE, BEARING, 3/4", LM11949    | 10T6              | 13881        | 20T6              | 13881        | 40T6              | 13881        | \$31.86    |
| 6       | CONE, BEARING, 1-1/4", LM67048  | 10T6A             | 13882        | 20T6A             | 13882        | 40T6A             | 13882        | \$36.11    |
| 7       | HUB,TRANSPORT,4 BOLT            | 10T7              | 13885        | 20T7              | 13885        | 40T7              | 13885        | \$95.62    |
| 8       | SEAL,GREASE,1.9375" X 2.3125"   | 10T8              | 13883        | 20T8              | 13883        | 40T8              | 13883        | \$10.58    |
| 9       | AXLE,BALE ELEV TRANSPORT        | 10T9              | 70537        | 20T9              | 70537        | 40T9              | 70537        | \$242.82   |
| 10      | HHCS,3/8-16 X 1",G5,PLT         | 10T10             | F1072450     | 20T10             | F1072450     | 40T10             | F1072450     | \$3.11     |
| 11      | WASHER,SPRING LOCK,3/8",PLT     | 10T11             | F805060      | 20T11             | F805060      | 40T11             | F805060      | \$1.61     |
| 12      | NUT,HEX,3/8-16,G5,PLT           | 10T12             | F354050      | 20T12             | F354050      | 40T12             | F354050      | \$1.61     |
| 13      | LEG,10T TRANSP,9' LONG,3-DOTS   | 10T13             | 10T13        | —                 | —            | —                 | —            | \$390.43   |
| 13      | LEG,20T TRANSP,15' LONG,3-DOTS  | —                 | —            | 20T13             | 20T13        | —                 | —            | \$546.42   |
| 13      | LEG,40T TRANSP,20' LONG,3-DOTS  | —                 | —            | —                 | —            | 40T13             | 40T13        | \$624.51   |
| 14      | CLAMP,WIRE ROPE CABLE,1/4",PLT  | 10T14             | 70042        | 20T14             | 70042        | 40T14             | 70042        | \$4.54     |
| 15      | FRAME, TRANS ROLLER END         | 10T15             | 70578        | 20T15             | 70558        | 40T15             | 70558        | \$265.48   |
| 16      | PIN,BALE ELEV TRANS ROLLER      | 10T16             | 70555        | 20T16             | 70555        | 40T16             | 70555        | \$21.22    |
| 17      | ROLLER,BALE TRANSPORT           | 10T17             | 10T17        | 20T17             | 10T17        | 40T17             | 10T17        | \$25.47    |
| 18      | PIN,HAIR,.120 X 2-3/8",PLT      | 10T18             | F405063      | 20T18             | F405063      | 40T18             | F405063      | \$3.11     |
| 19      | NUT,NY-IN LOCK,1/2-13,G2,PLT    | 10T19             | F356060      | 20T19             | F356060      | 40T19             | F356060      | \$2.19     |
| 20      | HHCS,1/2-13 X 1-1/4",G5,PLT     | 10T20             | F1072643     | 20T20             | F1072643     | 40T20             | F1072643     | \$3.11     |
| 21      | BRACE,TRANSPORT,1/8"X1"X1"X 80" | 10T21             | 70546        | 20T21             | 70546        | 40T21             | 70546        | \$42.49    |
| 22      | CABLE,GAC FU CT, 7/19X1/4"X39'  | 10T22             | 70109        | —                 | —            | —                 | —            | \$43.18    |
| 22      | CABLE,GAC FU CT, 7/19X1/4"X93'  | —                 | —            | 20T22             | 70108        | —                 | —            | \$74.92    |
| 22      | CABLE,GAC FU CT, 7/19X1/4"X124' | —                 | —            | —                 | —            | 40T22             | 70107        | \$100.17   |
| 23      | LEG,10T TRANS,9' LONG,4-DOTS    | 10T23             | 10T23        | —                 | —            | —                 | —            | \$390.43   |
| 23      | LEG,20T TRANS,15' LONG,4-DOTS   | —                 | —            | 20T23             | 20T23        | —                 | —            | \$546.42   |
| 23      | LEG,40T TRANS,20' LONG,4-DOTS   | —                 | —            | —                 | —            | 40T23             | 40T23        | \$624.51   |
| 24      | HHCS,1/2-13 X 2",G5,PLT         | 10T24             | F1072655     | 20T24             | F1072655     | 40T24             | F1072655     | \$3.11     |
| 25      | THIMBLE,WIRE ROPE,CLOSED,1/4"   | 10T25             | 43443        | 20T25             | 43443        | 40T25             | 43443        | \$3.11     |
| 26      | HOLDER,TRANS PULLEY,1/4"X2"X8"  | 10T26             | 70556        | 20T26             | 70556        | 40T26             | 70556        | \$21.22    |
| 27      | PULLEY W/BUSH,WRP,1/2"IDX 3"OD  | 10T27             | 13834        | 20T27             | 13834        | 40T27             | 13834        | \$31.86    |
| 28      | PIN,ROLL,5/16 X 3",PLT          | 10T28             | F407085      | 20T28             | F407085      | 40T28             | F407085      | \$4.54     |
| 29      | LEG,10T TRANS,9' LONG,2-DOTS    | 10T29             | 10T29        | —                 | —            | —                 | —            | \$390.43   |
| 29      | LEG,20T TRANS,15' LONG,2-DOTS   | —                 | —            | 20T29             | 20T29        | —                 | —            | \$546.42   |
| 29      | LEG,40T TRANS,20' LONG,2-DOTS   | —                 | —            | —                 | —            | 40T29             | 40T29        | \$624.51   |
| 30      | HHCS,3/8-16 X 2-1/4",G5,PLT     | 10T30             | F1072483     | 20T30             | F1072483     | 40T30             | F1072483     | \$3.11     |
| 31      | ARM,BALE ELEV TRANS PIVOT       | 10T31             | 70568        | 20T31             | 70568        | 40T31             | 70568        | \$31.86    |
| 32      | BRACKET,PIVOT ARM,1/4"X2" X 3"  | 10T32             | 70569        | 20T32             | 70569        | 40T32             | 70569        | \$14.89    |

Continued on next page.

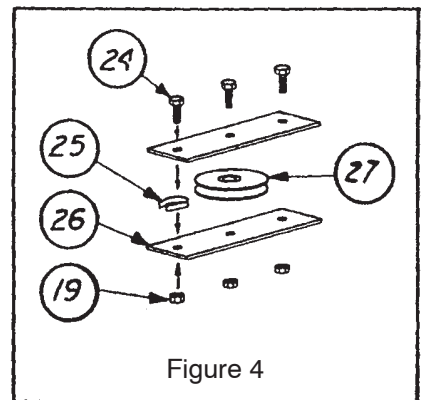
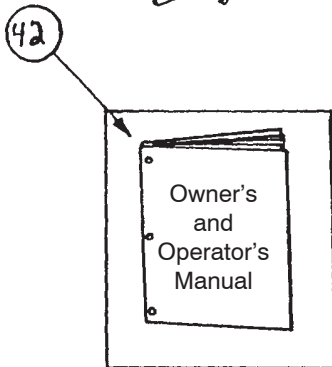
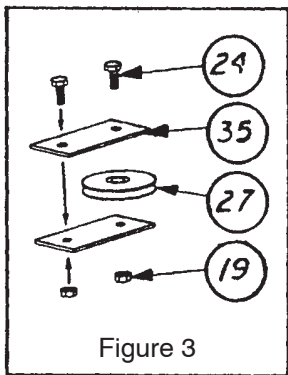
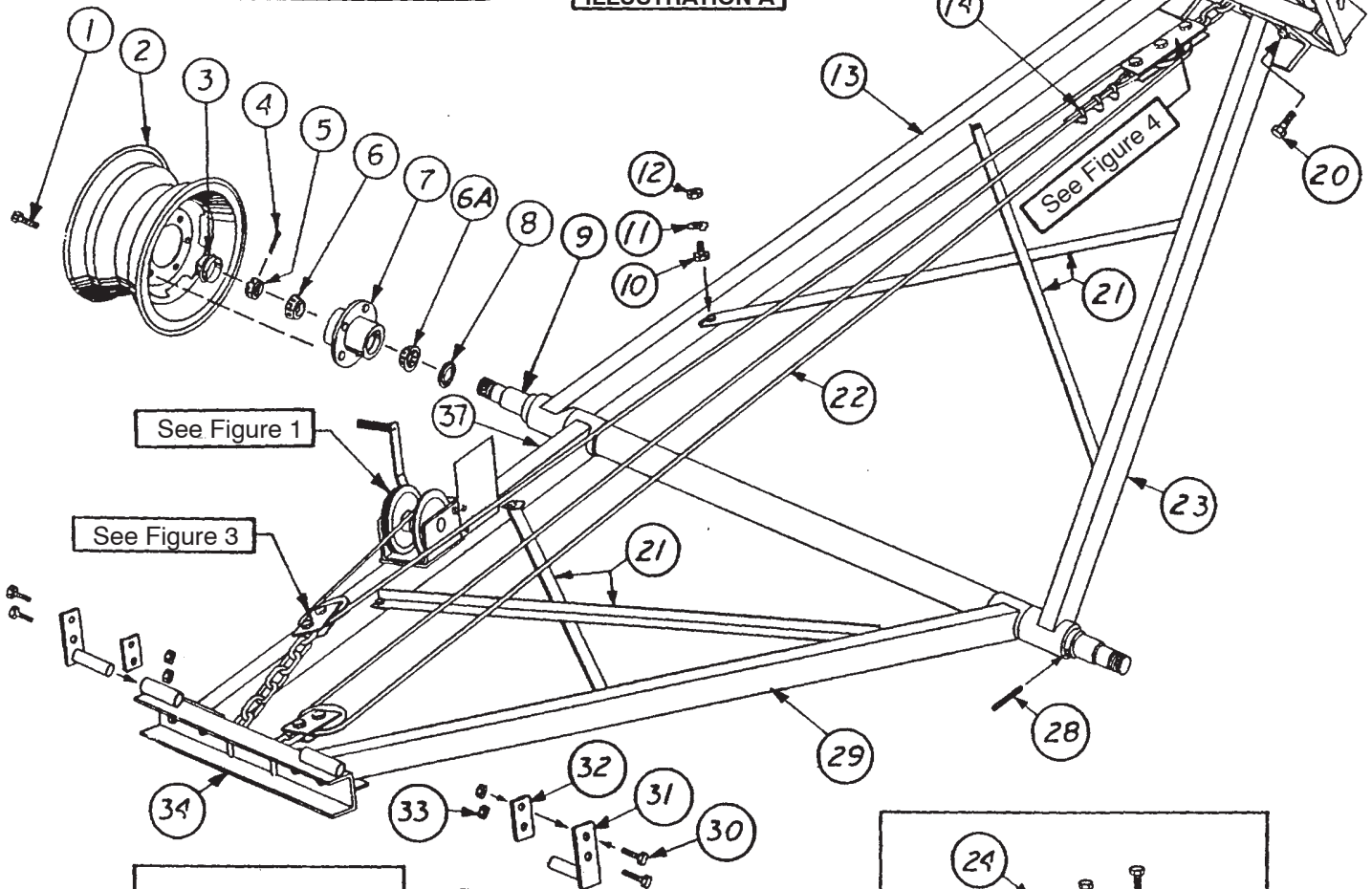
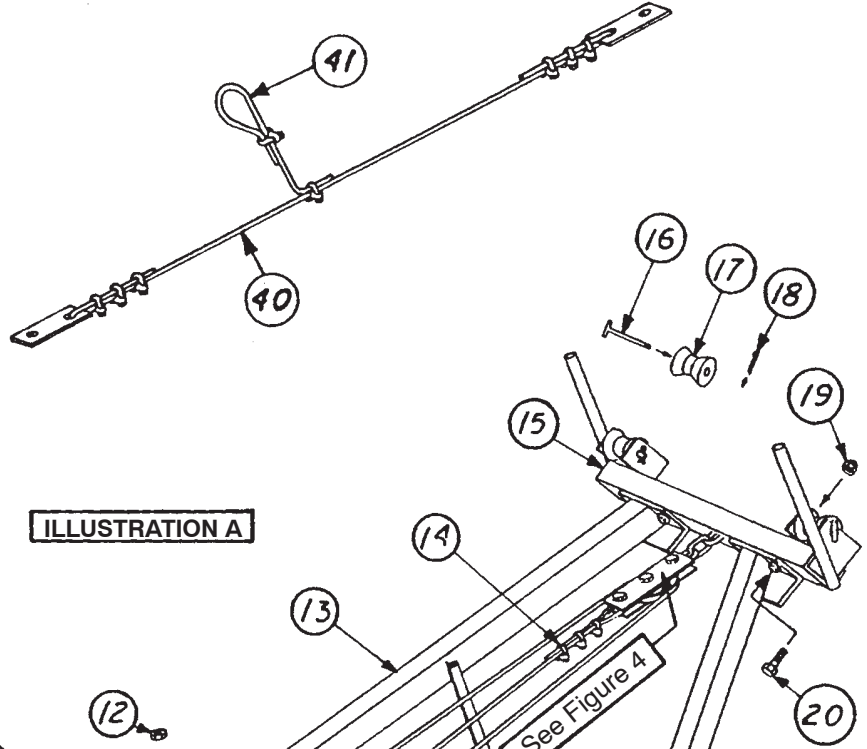
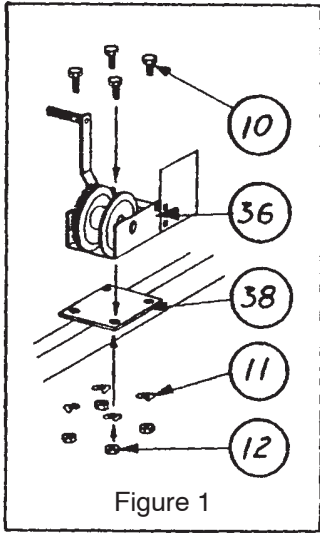
**T. R. Metal Crafters, Inc.**

312 E. Industrial Dr., PO Box 248 • Loyal, WI 54446 Phone: 1-800-842-5349 • Fax: 1-715-255-9268

Email: [info@trmetalcrafters.com](mailto:info@trmetalcrafters.com)

| KEY NO. | DESCRIPTION                    | Model No. HST-10T |              | Model No. HST-20T |              | Model No. HST-40T |              | LIST PRICE |
|---------|--------------------------------|-------------------|--------------|-------------------|--------------|-------------------|--------------|------------|
|         |                                | OLD PART NO.      | NEW PART NO. | OLD PART NO.      | NEW PART NO. | OLD PART NO.      | NEW PART NO. |            |
| 33      | NUT,NY-IN LOCK,3/8-16,G2,PLT   | 10T33             | F356050      | 20T33             | F356050      | 40T33             | F356050      | \$2.19     |
| 34      | FRAME, TRANS PIVOT END         | 10T34             | 70579        | 20T34             | 70564        | 40T34             | 70564        | \$244.38   |
| 35      | HOLDER,TRANS PULLEY,1/4"X2"X5" | 10T35             | 70563        | 20T35             | 70563        | 40T35             | 70563        | \$19.21    |
| 36      | WINCH W/DECAL PLATE,1500 IB    | 10T36             | 70951        | 20T36             | 70951        | 40T36             | 70951        | \$455.23   |
| 37      | LEG,10T TRANS,9' LONG,1-DOT    | 10T37             | 10T37        | —                 | —            | —                 | —            | \$390.43   |
| 37      | LEG,20T TRANS,15' LONG,1-DOT   | —                 | —            | 20T37             | 20T37        | —                 | —            | \$546.42   |
| 37      | LEG,40T TRANS,20' LONG,1-DOT   | —                 | —            | —                 | —            | 40T37             | 40T37        | \$624.51   |
| 38      | FLAT,HR,1/4" X 6" X 5"L-PUNCH  | 10T38             | 70543        | 20T38             | 70543        | 40T38             | 70543        | \$28.75    |
| 40      | CABLE,SAFETY,1/4" X 15'8"      | 10T40             | 10T40        | —                 | —            | —                 | —            | \$106.26   |
| 40      | CABLE,SAFETY,3/8" X 27'11"     | —                 | —            | 20T40             | 20T40        | —                 | —            | \$166.92   |
| 40      | CABLE,SAFETY,1/2" X 38'1-1/2"  | —                 | —            | —                 | —            | 40T40             | 40T40        | \$301.93   |
| 41      | CABLE,GAC FU CT,7/19X1/8"X2'   | 10T41             | 70110        | 20T41             | 70110        | 40T41             | 70110        | \$7.53     |
| 42      | MANUAL ASSY,BALE TRANSPORT     | 10T42             | YA12172      | 20T42             | YA12172      | 40T42             | YA12172      |            |
| 43      | DECAL,TRANSPORT ELECTROC       | 10T43             | DEC1101-     | 20T43             | DEC1101-     | 40T43             | DEC1101-     |            |
| 44      | DECAL,WARNING-BALE TRANS       | 10T44             | DEC1101-     | 20T44             | DEC1101-     | 40T44             | DEC1101-     |            |
| 45      | CLAMP,WIRE ROPE CABLE,1/8",PLT | 10T45             | 70043        | 20T45             | 70043        | 40T45             | 70043        | \$2.99     |
| 46      | NUT,TOP-LOCK,3/4-10,G8,PLT     | 10T46             | F355350      | 20T46             | F355350      | 40T46             | F355350      | \$5.29     |
| 47      | HHCS,3/4-10 X 2",G8,PLT        | 10T47             | F107360      | 20T47             | F107360      | 40T47             | F107360      | \$5.29     |

\* Specify serial number of elevator




# The Decals Shown On This Page Must Be Displayed As Shown Below

FREE REPLACEMENTS ARE AVAILABLE UPON REQUEST

Contact T. R. Metal Crafters, Inc.; 312 E. Industrial Drive; P.O. Box 248; Loyal, WI 54446  
(Call Toll Free 1-800-842-5349)

- Safety decals must be replaced if they are destroyed, missing, painted over, or can no longer be read.
- New equipment components installed during repair shall be equipped with the same safety decals that were affixed to the original components.
- Keep decals wiped clean at all times.

DEC1101-DANGR



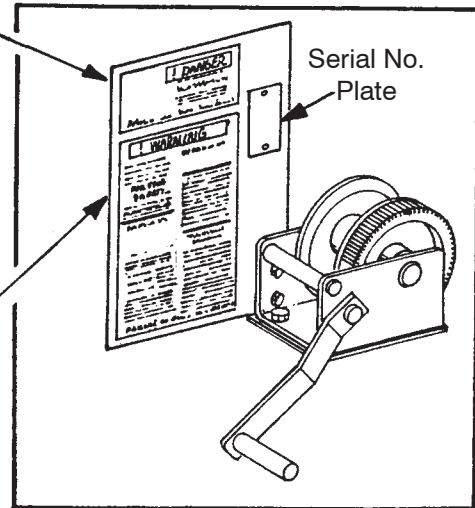
**⚠ DANGER**  
**THIS MACHINE IS NOT GROUNDED**  
**ELECTROCUTION HAZARD**

Keep at least 10 feet away from overhead electrical wires and devices. Electrocution can occur without direct contact. Measure overall transport height and check for adequate clearance before moving transport.

**FAILURE TO HEED WILL RESULT IN SEVERE SHOCK OR DEATH**

DEC1101-DANGR

43



Serial No. Plate

DEC1101-WARNG

**⚠ WARNING**

AN ELEVATOR TRANSPORT CAN BE HAZARDOUS IN THE HANDS OF AN UNFAMILIAR, UNTRAINED OR CARELESS OPERATOR

**FOR YOUR SAFETY...**

Do not operate, service, inspect or otherwise handle this unit without reading the Owner's and Operator's Manual completely and being familiar with the operation of this machine. If the Owner's and Operator's Manual is missing, contact T. R. Metal Crafters, Inc., 312 E. Industrial Drive, P. O. Box 248, Loyal, WI 54446 (Phone 715/255-8518).

**WHEN RAISING OR LOWERING**



**FALLING ELEVATOR CAN INJURE AND KILL**

1. Read and follow labels on winch.
2. Make sure transport is on firm, level ground.
3. Never permit anyone to stand on or under the elevator.
4. Never stand alongside winch cable. If cable breaks, it can act like a deadly whip.
5. Always inspect the cable and clamps for damage prior to each use.
6. Never continue turning handle counterclockwise if elevator does not lower — elevator may release and drop suddenly. Return elevator to full raised position if possible. Securely support elevator to prevent it from dropping before repairing cable or transport mechanism.
7. After lowering, turn handle clockwise two clicks to lock brake.

**TRANSPORTING AND POSITIONING**

1. Elevator must be empty and in recommended down position before moving.
2. Lower elevator at least 10 feet below level of power lines before moving. Use a locking hitch pin.
3. Transports are designed ONLY for towing at tractor speeds up to 20 mph between sunrise and sunset. Check and comply with all state and local regulations governing marking, lighting, towing and maximum width.
4. Do not allow anyone to ride on the elevator when transporting or operating.
5. Leave elevator in down position until final positioning requires raising it.
6. Block wheels and secure discharge end to bin or building or anchor intake end to prevent rolling or upending.

**MOUNTING ELEVATOR**



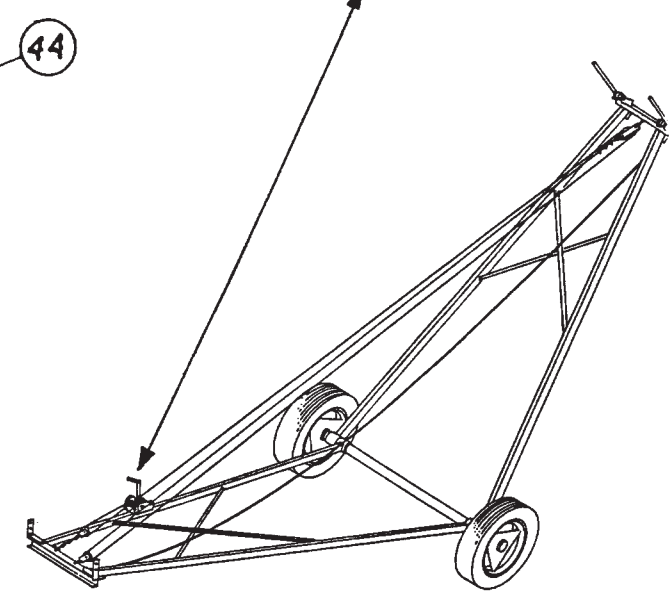
Do not mount a longer or shorter length elevator than recommended below on transport. Failure to heed may result in personal injury or death.

|               |  |
|---------------|--|
| Model HST-10T | Fits only Mayrite elevators 20 through 32 long |
| Model HST-20T | Fits only Mayrite elevators 38 through 48 long |
| Model HST-40T | Fits only Mayrite elevators 54 through 80 long |

Make sure the safety cable is installed onto transport at the correct location. Refer to Owner's and Operator's Manual for instructions. The safety cable prevents transport from being lowered to an unsafe working position. Failure to install safety cable may result in personal injury or death. Note: Elevator weight should never rest on transport safety cable during normal operation. If safety cable is lost or missing, contact T.R. Metal Crafters, Inc. for free replacement.

**FAILURE TO HEED COULD RESULT IN PERSONAL INJURY OR DEATH**

DEC1101-WARNG



44