

VALVES & COUPLERS

EFFECTIVE AUGUST 28, 2017



List Price Sheet

PLEASE ORDER VALVES IN BOX QUANTITIES.

BOLTED BALL VALVES POLYPROPYLENE WITH STAINLESS STEEL BOLTS

Blue Handle Part Number	Yellow Handle Part Number	Description	Box Quantity	List Price Each
60540	61115	1/2" Full Port	24	\$ 29.89
60541	61116	3/4" Full Port	24	29.89
60542	61117	1" Standard Port	24	29.89
60543	61118	1" Full Port	24	35.03
61734	61119	1-1/4" Standard Port	24	35.03
60527	61120	1-1/4" Full Port	24	44.17
60526	61121	1-1/2" Full Port	24	44.17
60544	61125	1-1/2" Full Port Nozzle	12	60.41
60529	61122	2" Standard Port	24	43.46
62046	—	2" Standard Port M x F	24	43.46
60545	61126	2" Standard Port Nozzle	12	61.85
60528	61123	2" Full Port	12	61.84
61876	—	2" Full Port M x F	12	64.79
60546	61127	2" Full Port Nozzle	9	86.11
61720	61124	3" Full Port	8	149.06
62047	—	3" Full Port M x F	8	149.06
62787	62788	4" Full Port	4	318.08

NOTE: Blue handles are Norwesco branded; Yellow handles are blank.

COMPACT BOLTED BALL VALVES

Blue Handle Part Number	Yellow Handle Part Number	Description	Box Quantity	List Price Each
62286	62308	2" Full Port M x F	12	\$ 50.27
62287	62309	2" Full Port F x F	12	50.27
62288	62310	2" Full Port M x M Coupler	12	50.27
62314	62313	2" Full Port F x M Coupler	12	50.27
new 64139	64161	2" Full Port F x F x F 3-Way Bottom Load	12	86.95

NOTE: Blue handles are Norwesco branded; Yellow handles are blank.

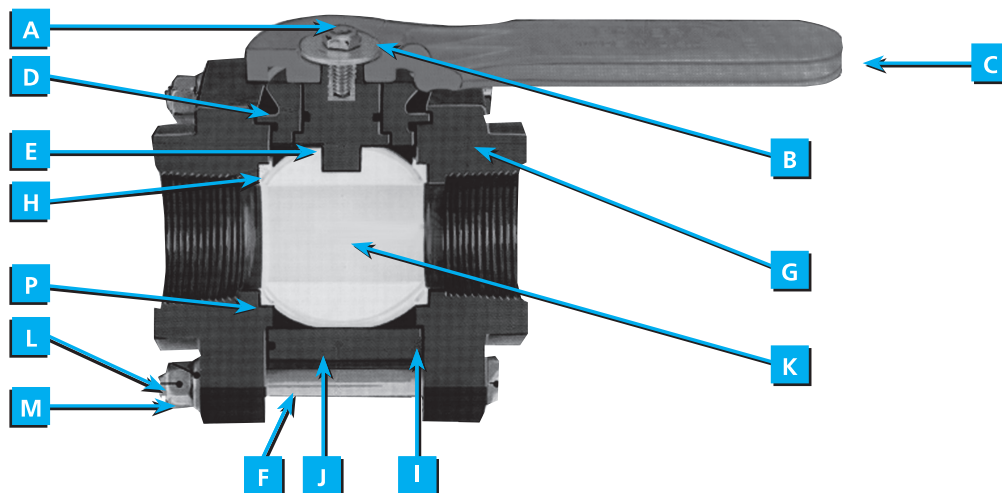
MULTI-PORT BALL VALVES POLYPROPYLENE

Part Number	Description	Box Quantity	List Price Each
60417	3/4" True Union	24	\$ 40.93
60418	2" Multi-Port	12	58.19

MULTI-PORT BALL VALVE REPLACEMENT PARTS

Size	Repair Kit Includes 3 EPDM O-Rings & 2 Teflon® Seats	Optional Repair Kit Includes 3 Viton O-Rings	T-Ball	Handles	Valve Stem with EPDM O-Ring
3/4"	61733	60438	60429	61735	60452
	\$ 7.84	\$ 5.60	\$ 7.68	\$ 3.11	\$ 6.02
2"	60435	60442	60428	61736	60455
	8.72	12.46	11.97	8.22	9.02

BOLTED BALL VALVE REPLACEMENT PARTS



PART NUMBERS AND LIST PRICE																		
ITEM CODE & DESCRIPTION	1/2" FP	3/4" FP	1" STD	1" FP	1-1/4" STD	1-1/4" FP	1-1/2" FP	2" STD	2" FP Compact	2" FP	2" FPBTM	2" FPSIDE	3" FP	3" FPBTM	4" FP	1-1/2" FPNZ	2" STDNZ	2" FPNZ
A Stem Screw	61347 0.31	61347 0.31	61347 0.31	61347 0.31	61347 0.31	—	—	—	—	—	—	—	—	—	—	—	—	—
B Stem Cap Screw & Flat Washer	—	—	—	—	—	61350 0.86	61350 0.86	61350 0.86	61350 0.86	61351 2.67	61350 0.86	61350 0.86	61351 2.67	61351 2.67	61351 2.67	61350 0.86	61350 0.86	61351 2.67
C-1 Yellow Blank Handle	61783 2.38	61783 2.38	61783 2.38	61784 2.65	61784 2.65	61785 4.45	61785 4.45	61785 4.45	61785 4.45	61786 6.86	64213 4.45	61785 4.45	61786 6.86	64209 6.86	62838 6.86	61787 5.12	61787 5.12	61788 6.86
C-2 Norwesco Blue Handle	61721 2.38	61721 2.38	61721 2.38	61722 2.65	61722 2.65	61723 4.45	61723 4.45	61723 4.45	61723 4.45	61724 6.86	64214 4.45	61723 4.45	61724 6.86	64210 6.86	62839 6.86	61725 5.12	61725 5.12	61726 6.86
D Viton Stem O-Ring(s)*	61497 1.17	61497 1.17	61497 1.17	61497 1.17	61497 1.17	61425 1.78	61425 1.78	61425 1.78	61425 1.78	61447 2.38	61425 1.78	61425 1.78	61447 2.38	61447 2.38	62817 5.12	61425 1.78	61425 1.78	61447 2.38
E Valve Stem w/Viton O-Ring(s)	61359 2.38	61359 2.38	61359 2.38	61446 2.38	61446 2.38	61360 4.73	61360 4.73	61360 4.73	61360 4.73	61361 7.10	61360 4.73	61360 4.73	61361 7.10	61361 7.10	62818 18.79	61360 4.73	61360 4.73	61361 7.10
F Stainless Steel Bolt, Hex Nut & Lock Washer	61421 2.02	61421 2.02	61421 2.02	61422 2.85	61422 2.85	61423 5.08	61423 5.08	61423 5.08	61424 5.56	61424 5.56	61424 5.56	61424 5.56	62208 6.51	62208 6.51	62819 10.08	61423 5.08	61423 5.08	61424 5.56
G End Plate FPT w/Teflon® Seat	62051 6.51	62052 6.51	62053 6.51	62054 8.87	62055 8.87	62056 11.97	62057 11.97	62059 11.97	62316 13.61	62060 16.56	62316 13.61	—	62065 35.50	—	62820 46.15	62057 11.97	62059 11.97	62060 16.56
G End Plate MPT w/Teflon® Seat	—	—	—	—	—	—	—	62064 11.24	62317 13.61	62063 17.76	—	—	62066 36.68	—	—	—	—	—
G End Plate Male Coupler w/Teflon® Seat	—	—	—	—	—	—	—	—	62318 21.90	—	—	—	—	—	—	—	—	—
G End Plate Flanged w/Teflon® Seat	—	—	—	62929 8.87	—	—	—	—	62930 13.61	—	—	62930 13.61	62931 36.68	64211 36.68	—	—	—	—
H Teflon® Seat	62077 2.38	62077 2.38	62077 2.38	62076 2.96	62076 2.96	62075 3.55	62075 3.55	62075 3.55	62074 4.73	62074 4.73	62074 4.73	62074 4.73	62073 8.29	64212 8.29	62821 17.08	62075 3.55	62075 3.55	62074 4.73
I Large Body EPDM O-Ring Seal	61378 1.17	61378 1.17	61378 1.17	61379 1.78	61379 1.78	61380 1.78	61380 1.78	61380 1.78	62319 3.44	61381 3.44	62319 3.44	62319 3.44	61382 4.13	61382 4.13	62822 8.55	61380 1.78	61380 1.78	61381 3.44
J Valve Body	61383 5.92	61383 5.92	61383 5.92	61384 6.80	61384 6.80	61385 7.68	61385 7.68	61385 7.68	62315 8.87	61386 13.61	—	—	61387 22.73	—	62823 49.55	61385 7.68	61385 7.68	61386 13.61
Q Valve Body w/Side Port	—	—	—	—	—	—	—	—	—	—	—	64206 8.87	—	—	—	—	—	—
R Valve Body w/Btm Port	—	—	—	—	—	—	—	—	—	—	62407 8.87	—	64208 22.73	—	—	—	—	—
K Valve Ball	61388 5.33	61388 5.33	61388 5.33	61389 5.92	61389 5.92	61390 9.77	61390 9.77	61390 9.77	62312 11.83	61391 11.83	64203 11.83	64204 11.83	61392 23.67	64205 23.67	62824 33.32	61390 9.77	61390 9.77	61391 11.83
N Top Flange w/Teflon® Seat for Nozzle	—	—	—	—	—	—	—	—	—	—	—	—	—	—	—	62058 23.05	62061 21.90	62062 26.02
O Nozzle Pipe	—	—	—	—	—	—	—	—	—	—	—	—	—	—	—	61400 5.92	61401 6.80	61401 6.80
P Seat O-Ring	—	—	—	—	—	—	—	—	—	—	—	—	62114 2.31	62114 2.31	—	—	—	—

*4" requires 2 stem o-rings.

PLEASE ORDER VALVES IN BOX QUANTITIES.

SINGLE UNION BALL VALVES POLYPROPYLENE

Part Number	Description	Box Quantity	List Price Each
60409	1/2" Single Union	24	\$ 12.72
60410	3/4" Single Union	24	14.11
60411	1" Single Union	24	17.95
60412	1-1/4" Single Union	12	29.44
60413	1-1/2" Single Union	12	36.51
60414	2" Single Union	12	46.53
60415	3" Single Union	4	138.35
60479	1" 45° Nozzle Valve	24	18.71

SINGLE UNION BALL VALVE REPLACEMENT PARTS

Size	Repair Kit Includes 3 EPDM O-Rings & 2 Teflon® Seats	Optional Repair Kit Includes 3 Viton O-Rings	Handles	Valve Stem with EPDM O-Ring
1/2"	60430	60437	60444	60451
	\$ 2.61	\$ 3.98	\$ 1.86	\$ 6.02
3/4"	60431	60438	60445	60452
	3.42	5.60	2.38	6.02
1"	60432	60439	60446	60453
	4.35	6.78	3.26	6.02
1-1/4"	60433	60440	60447	60454
	4.99	7.59	3.49	9.02
1-1/2"	60434	60441	60448	60455
	6.85	8.69	4.06	9.02
2"	60435	60442	60449	60455
	8.72	12.46	6.11	9.02
3"	60436*	60443**	60450	60457
	18.05	35.06	15.38	10.53

*Includes 4 EPDM O-Rings & 2 Teflon® Seats

**Includes 4 Viton O-Rings*

STAINLESS STEEL BALL VALVES



Part Number	Description	List Price Each
60480	3/8" Full Port	\$ 28.85
60481	1/2" Full Port	32.05
60482	3/4" Full Port	46.06
60483	1" Full Port	63.53
60484	1-1/4" Full Port	98.18
60485	1-1/2" Full Port	138.61
60487	2" Full Port	201.99
60488	3" Full Port	603.52

PLEASE ORDER COUPLERS IN BOX QUANTITIES.

CAM ACTION COUPLERS & ADAPTERS POLYPROPYLENE WITH 304 STAINLESS STEEL HANDLES

Part Number	Description	Box Qty.	List Price Each	Part Number	Description	Box Qty.	List Price Each	Part Number	Description	Box Qty.	List Price Each
61199	1/2" A	24	\$ 4.06	61267	1-1/4" B	24	\$14.47	61243	2" E	24	6.62
61255	1/2" B	24	10.65	61268	1-1/4" C	24	14.47	61244	2" F	24	6.62
61256	1/2" C	24	10.65	61269	1-1/4" D	24	14.47	61291	2" 90° F	24	9.50
61257	1/2" D	24	10.65	61227	1-1/4" E	24	4.99	61278	2" DC	24	16.94
61203	1/2" E	24	4.38	61228	1-1/4" F	24	4.99	61246	2" DP	24	6.44
61204	1/2" F	24	4.38	61274	1-1/4" DC	24	14.41	61247	3" A	24	12.93
61258	1/2" DC	24	10.65	61238	1-1/4" DP	24	4.77	61279	3" B	24	28.63
61214	1/2" DP	24	3.95	61231	1-1/2" A	24	4.81	63962	3" B Long	24	29.82
61207	3/4" A	24	4.06	61293	1-1/2" 90° A	24	7.97	61280	3" C	24	28.63
61259	3/4" B	24	10.65	61271	1-1/2" B	24	14.41	64136	3" C-3 Arms	24	32.95 new
61260	3/4" C	24	10.65	61272	1-1/2" C	24	14.41	61281	3" D	24	28.63
61261	3/4" D	24	10.65	61299	1-1/2" 90° C	24	17.23	61251	3" E	24	16.31
61211	3/4" E	24	4.38	61273	1-1/2" D	24	14.41	61252	3" F	24	16.31
61212	3/4" F	24	4.38	61300	1-1/2" 90° D	24	17.23	64133*	3" Mx2" M	24	33.15 new
61258	3/4" DC	24	10.65	61235	1-1/2" E	24	5.15	64134**	3" Mx3" M	24	33.15 new
61214	3/4" DP	24	3.95	61236	1-1/2" F	24	5.15	64135***	3" FCx3" M	24	45.22 new
61215	1" A	24	4.32	61289	1-1/2" 90° F	24	9.20	61282	3" DC	24	28.63
61263	1" B	24	12.16	61274	1-1/2" DC	24	14.41	61254	3" DP	24	12.93
61264	1" C	24	12.16	61238	1-1/2" DP	24	4.77	62789	4" A	8	21.65
61265	1" D	24	12.16	61239	2" A	24	5.70	62790	4" B	8	57.46
61219	1" E	24	4.95	61296	2" 90° A	24	8.40	62791	4" C	8	57.46
61220	1" F	24	4.95	61275	2" B	24	16.94	62792	4" D	8	57.46
61266	1" DC	24	11.80	63961	2" B Long	24	17.29	62793	4" E	8	21.65
61222	1" DP	24	4.32	61276	2" C	24	16.94	62794	4" F	8	21.65
61223	1-1/4" A	24	4.62	61301	2" 90° C	24	20.37	62795	4" DC	8	42.72
				61277	2" D	24	16.94	62796	4" DP	8	17.39
				61302	2" 90° D	24	20.37				

NOTE: 1/2" couplers and adapters will interchange with 3/4" couplers and adapters. Only the threads and barbs are 1/2".

1-1/4" couplers and adapters will interchange with 1-1/2" couplers and adapters. Only the threads and barbs are 1-1/4".

*3" Male Adapter x 2" Male Adapter
 **3" Male Adapter x 3" Male Adapter
 ***3" Female Coupler x 2" Male Adapter

CAM ACTION COUPLER – REPLACEMENT PARTS LIST

Coupler Description	EPDM Gasket (Standard)	Key Ring	Stainless Steel Pin	Stainless Steel Handle	Polypropylene Shims	Locking Pin
1/2"	61570	61589	61582	61594	61715	—
	\$ 1.12	\$ 0.86	\$ 0.53	\$ 2.31	\$ 0.44	—
3/4"	61570	61589	61582	61594	61715	—
	1.12	0.86	0.53	2.31	0.44	—
1"	61571	61589	61582	61594	61716	—
	0.62	0.86	0.53	2.31	0.44	—
1-1/4"	61572	61589	61585	61595	61717	63545
	0.94	0.86	1.04	3.98	0.86	\$ 0.55
1-1/2"	61572	61589	61585	61595	61717	63545
	0.94	0.86	1.04	3.98	0.86	0.55
2"	61574	61589	61585	61595	61718	63545
	1.15	0.86	1.04	3.98	0.96	0.55
3"	61575	61589	61584	61596	61719	—
	1.45	0.86	1.70	6.93	1.65	—
4"	62797	61589	61584	61596	—	—
	3.66	0.86	1.70	6.93	—	—

PLEASE ORDER FITTINGS IN BAG QUANTITIES.

THREADED POLYPROPYLENE FITTINGS

POLY TEES – SCH80

Part Number	Description	Box/Bag Quantity	List Price Each
62464	3/8"	10/Bag	\$ 2.78
62209	1/2"	10/Bag	3.19
62210	3/4"	10/Bag	3.35
62211	1"	10/Bag	4.64
62212	1-1/4"	10/Bag	5.57
62213	1-1/2"	—	8.76
62190	2"	—	10.51
62214	3"	—	47.29

90° ELBOWS – SCH80

Part Number	Description	Box/Bag Quantity	List Price Each
62465	3/8"	10/Bag	\$ 2.96
62215	1/2"	10/Bag	2.67
62216	3/4"	10/Bag	3.05
62217	1"	10/Bag	3.56
62218	1-1/4"	10/Bag	4.42
62219	1-1/2"	10/Bag	7.07
62191	2"	10/Bag	8.47
62220	3"	—	41.62

POLY PIPE COUPLING – SCH80

Part Number	Description	Box/Bag Quantity	List Price Each
62461	3/8"	10/Bag	\$ 3.05
62237	1/2"	10/Bag	2.99
62238	3/4"	10/Bag	2.99
62239	1"	10/Bag	3.56
62240	1-1/4"	10/Bag	4.78
62241	1-1/2"	10/Bag	8.19
62194	2"	10/Bag	8.79
62242	3"	—	26.47

POLY CROSS – SCH80

Part Number	Description	Box/Bag Quantity	List Price Each
62262	3/4"	5/Bag	\$ 13.20
62263	1"	5/Bag	13.83
62264	1-1/4"	—	19.24
62265	1-1/2"	—	20.98
62202	2"	—	24.11

POLY NIPPLES – SCH80

Part Number	Description	Box/Bag Quantity	List Price Each
62459	3/8" x Short	10/Bag	\$ 0.94
62221	1/2" x Short	10/Bag	1.04
62222	1/2" x 3"	10/Bag	1.84
60554	3/4" x Short	10/Bag	1.73
62223	3/4" x 4"	10/Bag	1.98
62224	3/4" x 6"	10/Bag	2.42
60555	1" x Short	10/Bag	2.03
62225	1" x 4"	10/Bag	2.11
62226	1" x 6"	10/Bag	2.63
60556	1-1/4" x Short	10/Bag	2.15
62227	1-1/4" x 4"	10/Bag	2.74
62228	1-1/4" x 6"	10/Bag	3.13
60547	1-1/2" x Short	10/Bag	2.88
62229	1-1/2" x 4"	10/Bag	5.86
62230	1-1/2" x 6"	10/Bag	6.99
60548	2" x Short	10/Bag	3.23
62192	2" x 4"	10/Bag	6.90
62193	2" x 6"	10/Bag	7.93
61769	3" x Short	—	10.96
62232	3" x 6"	—	17.13
62467	4" x Short	—	16.33

REDUCER NIPPLES – SCH80

Part Number	Description	Box/Bag Quantity	List Price Each
62455	1/2" x 3/8"	10/Bag	\$ 1.44
62233	3/4" x 1/2"	10/Bag	1.58
62456	1" x 1/2"	10/Bag	1.84
62234	1" x 3/4"	10/Bag	1.84
62457	1-1/4" x 3/4"	10/Bag	1.98
62235	1-1/4" x 1"	10/Bag	2.13
62458	1-1/2" x 1"	10/Bag	2.85
62236	1-1/2" x 1-1/4"	10/Bag	2.34
60549	2" x 1-1/2"	10/Bag	2.76
61768	3" x 2"	—	10.09
62938	4" x 3"	—	15.60

PLEASE ORDER FITTINGS IN BAG OR BOX QUANTITIES.

THREADED POLYPROPYLENE FITTINGS*

REDUCER BUSHING – SCH80

Part Number	Description	Box/Bag Quantity	List Price Each
62466	3/8" x 1/4"	10/Bag	1.84
62267	1/2" x 1/4"	10/Bag	1.84
62268	1/2" x 3/8"	10/Bag	1.84
62269	3/4" x 1/8"	10/Bag	1.84
62270	3/4" x 1/4"	10/Bag	1.84
62271	3/4" x 3/8"	10/Bag	1.84
62272	3/4" x 1/2"	10/Bag	1.84
62273	1" x 1/8"	10/Bag	1.96
62274	1" x 1/4"	10/Bag	1.96
62275	1" x 1/2"	10/Bag	1.96
62276	1" x 3/4"	10/Bag	1.96
62277	1-1/4" x 3/4"	10/Bag	2.02
62278	1-1/4" x 1"	10/Bag	2.02
62279	1-1/2" x 3/4"	10/Bag	2.92
62280	1-1/2" x 1"	10/Bag	2.92
62281	1-1/2" x 1-1/4"	10/Bag	2.92
62195	2" x 3/4"	10/Bag	3.37
62196	2" x 1"	10/Bag	3.37
62197	2" x 1-1/4"	10/Bag	3.37
62198	2" x 1-1/2"	10/Bag	3.37
62282	3" x 1-1/2"	—	12.28
60330	3" x 2"	—	10.40

POLY PIPE PLUG – SCH80

Part Number	Description	Box/Bag Quantity	List Price Each
62255	1/2"	10/Bag	\$ 1.84
62256	3/4"	10/Bag	1.84
62257	1"	10/Bag	1.84
62258	1-1/4"	10/Bag	2.02
62259	1-1/2"	10/Bag	3.23
62201	2"	10/Bag	3.41
62260	3"	—	13.24

STREET ELBOW 45° – SCH80

Part Number	Description	Box/Bag Quantity	List Price Each
62907	3/4"	10/Bag	\$ 4.70
62908	1"	10/Bag	6.87
62909	1-1/4"	10/Bag	8.53
62910	1-1/2"	10/Bag	9.10
62911	2"	10/Bag	10.77

STREET ELBOW 90° – SCH80

Part Number	Description	Box/Bag Quantity	List Price Each
62460	3/8"	10/Bag	\$ 2.96
62243	1/2"	10/Bag	2.85
62244	3/4"	10/Bag	3.05
62245	1"	10/Bag	3.56
62246	1-1/4"	10/Bag	4.69
62247	1-1/2"	10/Bag	7.18
62199	2"	10/Bag	8.67
62248	3"	—	41.62

POLY PIPE CAP – SCH80

Part Number	Description	Box/Bag Quantity	List Price Each
62462	1/2"	10/Bag	\$ 3.67
62250	3/4"	10/Bag	3.67
62251	1"	10/Bag	3.67
62463	1-1/4"	10/Bag	4.38
62253	1-1/2"	10/Bag	5.94
62200	2"	10/Bag	6.64
62254	3"	—	23.64

POLYPROPYLENE KING NIPPLES

Part Number	Description	Box/Bag Quantity	List Price Each
61319	1-1/2"	24/Box	\$ 2.63
61861	2"	24/Box	3.51
61321	3"	24/Box	10.02
62468	4"	—	21.38

POLYPROPYLENE HOSE BARBS

Part Number	Description	Box/Bag Quantity	List Price Each
61303	1/2"	50/Bag	\$ 1.06
61304	3/4"	50/Bag	1.23
61305	1"	25/Bag	1.53
64153	1" MPT x 1" HB Elbow 90°	—	2.09
62469	1-1/4" MPT x 1" HB Elbow 90°	—	2.11

PLEASE ORDER STRAINERS IN BOX QUANTITIES.

Y-LINE STRAINERS POLYPROPYLENE

Part Number	Description	Box Quantity	List Price Each
61472*	1/2" w/20 Mesh Screen	12	\$ 21.48
new 64169	1/2" w/20 Mesh OM Screen	12	27.43
new 64170	1/2" w/50 Mesh OM Screen	12	27.43
new 64171	1/2" w/80 Mesh Screen	12	30.32
new 64172	1/2" w/100 Mesh OM Screen	12	30.32
61475*	3/4" w/20 Mesh Screen	12	21.48
new 64173	3/4" w/20 Mesh OM Screen	12	27.43
new 64174	3/4" w/50 Mesh OM Screen	12	27.43
new 64175	3/4" w/80 Mesh Screen	12	30.32
new 64176	3/4" w/100 Mesh OM Screen	12	30.32
61478	1" w/20 Mesh Screen	12	27.27
61479	1" w/40 Mesh Screen	12	27.27
61480	1" w/80 Mesh Screen	12	30.47
61738	1-1/4" w/20 Mesh Screen	12	27.27
61740	1-1/4" w/40 Mesh Screen	12	27.27
61741	1-1/4" w/80 Mesh Screen	12	30.47
64078	1-1/2" w/12 Mesh Screen	12	36.10
61488	1-1/2" w/20 Mesh Screen	12	53.40
61489	1-1/2" w/40-20 Mesh Screen	12	58.57
61490	1-1/2" w/80-20 Mesh Screen	12	58.57
64098	2" w/12 Mesh Screen	12	36.10
61493	2" w/20 Mesh Screen	12	53.40
61494	2" w/40-20 Mesh Screen	12	58.57
61495	2" w/80-20 Mesh Screen	12	58.57
62337	3" w/6 Mesh Screen	—	338.47
62338	3" w/12 Mesh Screen	—	338.47
62339	3" w/20 Mesh Screen	—	338.47
62340	3" w/40 Mesh Screen	—	338.47

OM = Over-molded
*While supply lasts

T-LINE STRAINERS POLYPROPYLENE

Part Number	Description	Box Quantity	List Price Each
61459	1/2" w/20 Mesh Screen	12	\$ 15.71
61460	1/2" w/40 Mesh Screen	12	15.71
61461	1/2" w/80 Mesh Screen	12	15.71
61464	3/4" w/20 Mesh Screen	12	15.71
61465	3/4" w/40 Mesh Screen	12	15.71
61466	3/4" w/80 Mesh Screen	12	15.71
61469	1" w/20 Mesh Screen	12	15.71
61470	1" w/40 Mesh Screen	12	15.71
61471	1" w/80 Mesh Screen	12	15.71

Y-LINE STRAINER REPLACEMENT PARTS

Part Number	Description	List Price Each
61452	1/2" & 3/4" EPDM O-Ring	\$ 0.94
61307	1/2" YLS w/o Screen	16.27
61308	3/4" YLS w/o Screen	16.27
61449*	20 Mesh Screen for 1/2" & 3/4"	8.55
64177	20 Mesh OM Screen for 1/2" & 3/4"	15.16 new
64178	50 Mesh OM Screen for 1/2" & 3/4"	15.16 new
64179	80 Mesh OM Screen for 1/2" & 3/4"	18.05 new
64180	100 Mesh OM Screen for 1/2" & 3/4"	18.05 new
61750	1" & 1-1/4" EPDM O-Ring	1.06
61309	1" YLS w/o Screen	19.68
61748	1-1/4" YLS w/o Screen	19.68
61749	20 Mesh Screen for 1" & 1-1/4"	10.86
61746	40 Mesh Screen for 1" & 1-1/4"	10.86
61747	80 Mesh Screen for 1" & 1-1/4"	12.40
61561	1-1/2" & 2" EPDM Gasket	1.26
61287	1-1/2" YLS w/o Screen	34.64
61288	2" YLS w/o Screen	34.64
61567	Cap only for 1-1/2" & 2" w/Plug & O-Ring	14.36
62306	6 Mesh Screen for 1-1/2" & 2"	26.33
62307	12 Mesh Screen for 1-1/2" & 2"	27.95
61508	20 Mesh Screen for 1-1/2" & 2"	20.41
61509	40/20 Mesh Screen for 1-1/2" & 2"	25.73
61510	80/20 Mesh Screen for 1-1/2" & 2"	25.73
62266	3" EPDM Body O-Ring	4.42
62283	3" EPDM Plug O-Ring	0.33
62334	3" YLS w/o Screen	236.08
62231	6 Mesh Screen for 3"	95.14
62249	12 Mesh Screen for 3"	95.14
62252	20 Mesh Screen for 3"	95.14
62261	40 Mesh Screen for 3"	95.14
62400	80 Mesh Screen for 3"	95.14
62335	3" Cap only w/Plug & Plug O-Ring	70.69

OM = Over-molded
*While supply lasts

T-LINE STRAINER REPLACEMENT PARTS

Part Number	Description	List Price Each
61537	1/2" - 1" EPDM Gasket	\$ 0.88
61283	1/2" TLS w/o Screen	12.35
61284	3/4" TLS w/o Screen	12.35
61285	1" TLS w/o Screen	12.35
61404	20 Mesh Screen	6.74
61405	40 Mesh Screen	6.74
61406	80 Mesh Screen	6.74

PLEASE ORDER VALVES IN BOX QUANTITIES.

FULL PORT FLANGE VALVES

Blue Handle Part Number	Yellow Handle Part Number	Description	Box Quantity	List Price Each
63027	63028	1" Full Port Flange x Flange	24	\$ 35.03
63122	63123	2" Full Port Compact Flange x Flange	12	50.27
new 64138	64162	2" Full Port Flange x Flange x Flange 3-Way Side Load	12	91.57
63124	63125	3" Full Port Flange x Flange	8	149.06
new 64140	64163	3" Full Port Flange x Flange x Flange 3-Way Side Load	8	245.45

STAINLESS STEEL WORM SCREW HOSE CLAMPS FOR FLANGE FITTINGS

Part Number	Description	List Price Each
62932	1"	\$ 9.40
62933	2"	11.76
62934	3"	13.55

EPDM FLANGE GASKET FOR FLANGE FITTINGS

Part Number	Description	List Price Each
62935	1"	\$ 0.89
61574	2"	1.15
61575	3"	1.45

FLANGE FITTINGS 1" FULL PORT

Part Number	Description	List Price Each
62912	1" Flange Tee	\$ 4.62
62913	1" Flange Elbow	4.62
62914	1" Flange Coupling	3.59
63098	1" Flange x 3/4" MPT	1.62
62915	1" Flange x 1" MPT	1.74
63099	1" Flange x 1-1/4" MPT	2.33
62916	1" Flange x 1" FPT	2.51
62917	1" Flange x 3/4" HB	1.48
62918	1" Flange x 1" HB	1.48
62919	1" Flange x 1-1/4" HB	1.48
62920	1" Flange x 3/4" HB 90°	1.77
62921	1" Flange x 1" HB 90°	1.77
62922	1" Flange x 1-1/4" HB 90°	1.72
62923	1" Flange Cross	13.61
62924	1" Flange Plug	1.54
62925	1" Flange Plug with 1/4" FPT	5.41

2" FULL PORT (continued)

Part Number	Description	List Price Each
63106	2" Flange x 2" HB	\$ 3.70
63107	2" Flange x 1-1/2" HB 90°	6.88
63108	2" Flange x 2" HB 90°	6.88
63109	2" Flange Cross	25.14
63110	2" Flange Plug	4.18
62927	2" Flange x 1" Flange Reducing Coupling	11.10
62926	2" Flange x 2" Male Coupler	6.66
64137	2" Flange x 2" Male Adapter Sweep	11.48 new

3" FULL PORT

63111	3" Flange Tee	\$ 30.97
63112	3" Flange Elbow	27.10
63113	3" Flange Coupling	13.56
63114	3" Flange x 3" MPT	10.48
63115	3" Flange x 2" HB	11.83
63116	3" Flange x 3" HB	11.83
63117	3" Flange x 2" HB 90°	23.04
63118	3" Flange x 3" HB 90°	23.04
63119	3" Flange Cross	56.15
63120	3" Flange Plug	11.60
62928	3" Flange x 2" Flange Reducing Coupling	19.37
63121	3" Flange x 3" Male Coupler	14.71

2" FULL PORT

63100	2" Flange Tee	\$ 10.06
63101	2" Flange Elbow	8.68
63102	2" Flange Coupling	11.02
63103	2" Flange x 2" MPT	3.28
63104	2" Flange x 2" FPT	9.27
63105	2" Flange x 1-1/2" HB	3.70

TERMS AND CONDITIONS:

Terms: Net 30 days. A service charge of 1-1/2% per month applied to past due accounts.

FOB: Sheldon, IA. Freight prepaid on orders of \$1,500.00 net or more within the continental United States and Canada.

Minimum Order: \$50.00 net minimum. A \$25.00 handling charge will be assessed on orders less than \$50.00 net.

Returns: All returns must be pre-approved by Norwesco and sent freight prepaid. Please note that a 10% restocking charge will be assessed.



NORWESCO, INC.
4365 Steiner Street, P.O. Box 439
St. Bonifacius, MN 55375-0439
Tel 800-328-3420 • Fax 800-874-2371

www.norwesco.com

VCPL1M0817