

VALVES & COUPLERS

EFFECTIVE OCTOBER 1, 2019



List Price Sheet

PLEASE ORDER VALVES IN BOX QUANTITIES.

BOLTED BALL VALVES POLYPROPYLENE WITH STAINLESS STEEL BOLTS

Blue Handle Part Number	Yellow Handle Part Number	Description	Box Quantity	List Price Each
60540	61115	1/2" Full Port	24	\$ 31.12
60541	61116	3/4" Full Port	24	31.12
60542	61117	1" Standard Port	24	31.12
60543	61118	1" Full Port	24	36.47
61734	61119	1-1/4" Standard Port	24	47.11
60527	61120	1-1/4" Full Port	24	45.99
60526	61121	1-1/2" Full Port	24	45.99
60544	61125	1-1/2" Full Port Nozzle	12	62.90
60529	61122	2" Standard Port	24	46.53
62046	—	2" Standard Port M x F	24	46.53
60545	61126	2" Standard Port Nozzle	12	64.40
60528	61123	2" Full Port	12	65.56
61876	—	2" Full Port M x F	12	65.56
60546	61127	2" Full Port Nozzle	9	89.66
61720	61124	3" Full Port	8	155.20
62047	—	3" Full Port M x F	8	155.20
62787	62788	4" Full Port	4	331.19

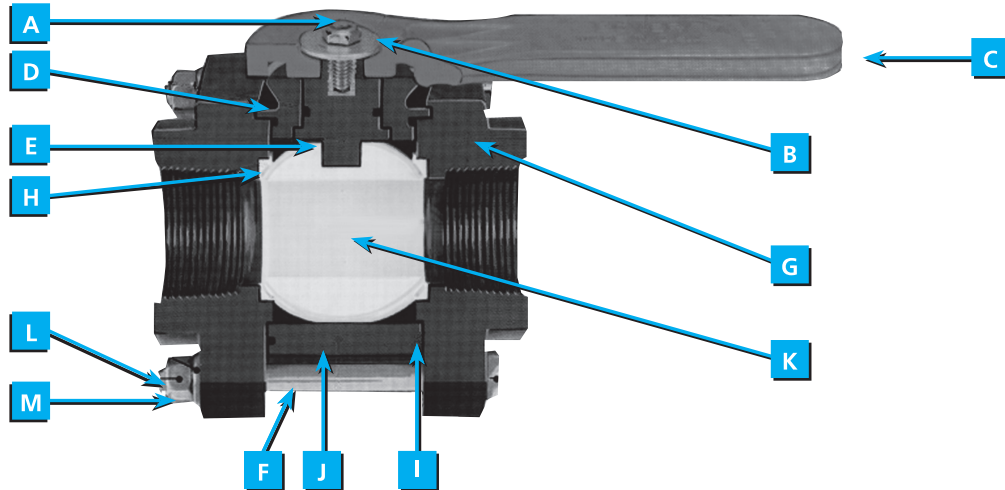
NOTE: Blue handles are Norwesco branded; Yellow handles are blank.

COMPACT BOLTED BALL VALVES

Blue Handle Part Number	Yellow Handle Part Number	Description	Box Quantity	List Price Each
62286	62308	2" Full Port M x F	12	\$ 52.35
62287	62309	2" Full Port F x F	12	52.35
62288	62310	2" Full Port M x M Coupler	12	52.35
62314	62313	2" Full Port F x M Coupler	12	52.35
64258	64259	2" Full Port F x F x F 3-Way Side Load	12	88.72
64139	64161	2" Full Port F x F x F 3-Way Bottom Load	12	88.72

NOTE: Blue handles are Norwesco branded; Yellow handles are blank.

BOLTED BALL VALVE REPLACEMENT PARTS



PART NUMBERS AND LIST PRICE																			
ITEM CODE & DESCRIPTION	1/2" FP	3/4" FP	1" STD	1" FP	1-1/4" STD	1-1/4" FP	1-1/2" FP	2" STD	2" FP Compact	2" FP	2" FPBTM	2" FPSIDE	3" FP	3" FPBTM	4" FP	1-1/2" FPNZ	2" STDNZ	2" FPNZ	
A Stem Screw	61347 0.33	61347 0.33	61347 0.33	61347 0.33	61347 0.33	—	—	—	—	—	—	—	—	—	—	—	—	—	
B Stem Cap Screw & Flat Washer	—	—	—	—	—	61350 0.90	61350 0.90	61350 0.90	61350 0.90	61351 2.92	61350 0.90	61350 0.90	61351 2.92	61351 2.92	61351 2.92	61350 0.90	61350 0.90	61351 2.92	
C-1 Yellow Blank Handle	61783 2.48	61783 2.48	61783 2.48	61784 2.76	61784 2.76	61785 4.63	61785 4.63	61785 4.63	61785 4.63	61786 7.14	64213 4.63	61785 4.63	61786 7.14	64209 7.14	62838 7.14	61787 5.33	61787 5.33	61788 7.14	
C-2 Norwesco Blue Handle	61721 2.48	61721 2.48	61721 2.48	61722 2.76	61722 2.76	61723 4.63	61723 4.63	61723 4.63	61723 4.63	61724 7.14	64214 4.63	61723 4.63	61724 7.14	64210 7.14	62839 7.14	61725 5.33	61725 5.33	61726 7.14	
D Viton Stem O-Ring(s)*	61497 1.21	61497 1.21	61497 1.21	61497 1.21	61497 1.21	61425 1.86	61425 1.86	61425 1.86	61425 1.86	61447 2.48	61425 1.86	61425 1.86	61447 2.48	61447 2.48	62817 5.33	61425 1.86	61425 1.86	61447 2.48	
E Valve Stem w/Viton O-Ring(s)	61359 2.48	61359 2.48	61359 2.48	61446 2.48	61446 2.48	61360 4.93	61360 4.93	61360 4.93	61360 4.93	61361 7.39	61360 4.93	61360 4.93	61361 7.39	61361 7.39	62818 19.56	61360 4.93	61360 4.93	61361 7.39	
F Stainless Steel Bolt, Hex Nut & Lock Washer	61421 2.10	61421 2.10	61421 2.10	61422 2.97	61422 2.97	61423 5.29	61423 5.29	61423 5.29	61424 5.79	61424 5.79	61424 5.79	61424 5.79	62208 6.78	62208 6.78	62819 10.50	61423 5.29	61423 5.29	61424 5.79	
G End Plate FPT w/Teflon® Seat	62051 6.78	62052 6.78	62053 6.78	62054 9.23	62055 9.23	62056 12.46	62057 12.46	62059 12.46	62316 14.17	62060 17.24	62316 14.17	62316 14.17	62065 36.96	—	62820 48.05	62057 12.46	62059 12.46	62060 17.24	
G End Plate MPT w/Teflon® Seat	—	—	—	—	—	—	—	62064 11.70	62317 14.17	62063 18.49	—	—	62066 38.19	—	—	—	—	—	
G End Plate Male Coupler w/Teflon® Seat	—	—	—	—	—	—	—	—	62318 22.81	—	—	—	—	—	—	—	—	—	
G End Plate Flanged w/Teflon® Seat	—	—	—	62929 9.23	—	—	—	64270 13.89	62930 14.17	—	—	62930 14.17	62931 38.19	64211 38.19	—	—	—	—	
H Teflon® Seat	62077 2.48	62077 2.48	62077 2.48	62076 3.08	62076 3.08	62075 3.69	62075 3.69	62075 3.69	62075 3.69	62074 4.93	62074 4.93	62074 4.93	62074 4.93	62073 9.29	64212 8.63	62821 17.79	62075 3.69	62075 3.69	62074 4.93
I Large Body EPDM O-Ring Seal	61378 1.21	61378 1.21	61378 1.21	61379 1.86	61379 1.86	61380 1.86	61380 1.86	61380 1.86	61380 1.86	62319 3.58	61381 3.58	62319 3.58	62319 3.58	61382 4.30	61382 4.30	62822 8.90	61380 1.86	61380 1.86	61381 3.58
J Valve Body	61383 6.16	61383 6.16	61383 6.16	61384 7.08	61384 7.08	61385 8.00	61385 8.00	61385 8.00	62315 9.23	61386 14.17	—	64271 8.00	61387 23.66	—	62823 51.59	61385 8.00	61385 8.00	61386 14.17	
Q Valve Body w/Side Port	—	—	—	—	—	—	—	—	—	—	—	64206 11.76	—	—	—	—	—	—	
R Valve Body w/Btm Port	—	—	—	—	—	—	—	—	—	—	62407 11.76	—	64208 23.66	—	—	—	—	—	
K Valve Ball	61388 5.55	61388 5.55	61388 5.55	61389 6.16	61389 6.16	61390 10.17	61390 10.17	61390 10.17	62312 12.32	61391 12.32	64203 12.32	64204 12.32	61392 24.64	64205 24.64	62824 34.69	61390 10.17	61390 10.17	61391 12.32	
N Top Flange w/Teflon® Seat for Nozzle	—	—	—	—	—	—	—	—	—	—	—	—	—	—	—	62058 24.00	62061 22.81	62062 27.09	
O Nozzle Pipe	—	—	—	—	—	—	—	—	—	—	—	—	—	—	—	61400 6.16	61401 7.08	61401 7.08	

*4" requires 2 stem o-rings.

PLEASE ORDER VALVES IN BOX QUANTITIES.

GARDEN HOSE SHUT OFF VALVE POLYPROPYLENE

Part Number	Description	Bag	List Price Each
new 64482	3/4" MPT X GHT Valve w/adapter	1/bag	\$ 11.52

SINGLE UNION BALL VALVES POLYPROPYLENE

Part Number	Description	Box Quantity	List Price Each
60409	1/2" Single Union	24	\$ 13.24
60410	3/4" Single Union	24	15.47
60411	1" Single Union	24	18.69
60412	1-1/4" Single Union	12	30.65
60413	1-1/2" Single Union	12	38.28
60414	2" Single Union	12	50.06
60415	3" Single Union	4	144.05
60479	1" 45° Nozzle Valve	24	19.48

SINGLE UNION BALL VALVE REPLACEMENT PARTS

Size	Repair Kit Includes 3 EPDM O-Rings & 2 Teflon® Seats	Optional Repair Kit Includes 3 Viton O-Rings	Handles	Valve Stem with EPDM O-Ring
1/2"	60430	60437	60444	60451
	\$ 2.71	\$ 4.14	\$ 1.94	\$ 6.27
3/4"	60431	60438	60445	60452
	3.56	5.83	2.48	6.27
1"	60432	60439	60446	60453
	4.53	7.06	3.40	6.27
1-1/4"	60433	60440	60447	60454
	5.19	7.90	3.63	9.39
1-1/2"	60434	60441	60448	60455
	7.13	9.05	4.22	9.39
2"	60435	60442	60449	60455
	9.08	12.97	6.36	9.39
3"	60436 *	60443 **	60450	60457
	18.80	36.51	16.01	10.96

*Includes 4 EPDM O-Rings & 2 Teflon® Seats

**Includes 4 Viton O-Rings*

MULTI-PORT BALL VALVES POLYPROPYLENE

Part Number	Description	Box Quantity	List Price Each
60417	3/4" True Union	24	\$ 42.62
60418	2" Multi-Port	12	60.38

MULTI-PORT BALL VALVE REPLACEMENT PARTS

Size	Repair Kit Includes 3 EPDM O-Rings & 2 Teflon® Seats	Optional Repair Kit Includes 3 Viton O-Rings	T-Ball	Handles	Valve Stem with EPDM O-Ring
3/4"	61733	60438	60429	61735	60452
	\$ 8.16	\$ 5.83	\$ 8.00	\$ 3.23	\$ 6.27
2"	60435	60442	60428	61736	60455
	9.08	12.97	12.46	8.56	9.39

STAINLESS STEEL BALL VALVES

Part Number	Description	List Price Each
60481	1/2" Full Port	\$ 33.37
60482	3/4" Full Port	47.96
60483	1" Full Port	66.15
60485	1-1/2" Full Port	144.33
60487	2" Full Port	210.32
60488	3" Full Port	668.88

PLEASE ORDER COUPLERS IN BOX QUANTITIES.

CAM ACTION COUPLERS & ADAPTERS POLYPROPYLENE WITH 304 STAINLESS STEEL HANDLES

Part Number	Description	Box Qty.	List Price Each	Part Number	Description	Box Qty.	List Price Each	Part Number	Description	Box Qty.	List Price Each
61199	1/2" A	24	\$ 4.22	61268	1-1/4" C	24	\$15.07	61243	2" E	24	\$ 6.90
61255	1/2" B	24	11.09	61269	1-1/4" D	24	15.07	61244	2" F	24	6.90
61256	1/2" C	24	11.09	61227	1-1/4" E	24	5.19	61291	2" 90° F	24	9.89
61257	1/2" D	24	11.09	61228	1-1/4" F	24	5.19	61278	2" DC	24	17.64
61203	1/2" E	24	4.56	61274	1-1/4" DC	24	15.00	61246	2" DP	24	6.70
61204	1/2" F	24	4.56	61238	1-1/4" DP	24	4.97	61247	3" A	24	13.46
61258	1/2" DC	24	11.09	61231	1-1/2" A	24	5.01	61279	3" B	24	29.81
61214	1/2" DP	24	4.11	61293	1-1/2" 90° A	24	8.30	63962	3" B Long	24	32.39
61207	3/4" A	24	4.22	61271	1-1/2" B	24	15.00	61280	3" C	24	29.81
61259	3/4" B	24	11.09	61272	1-1/2" C	24	15.00	64136	3" C-3 Arms	24	35.81
61260	3/4" C	24	11.09	61299	1-1/2" 90° C	24	17.94	61281	3" D	24	29.81
61261	3/4" D	24	11.09	61273	1-1/2" D	24	15.00	61251	3" E	24	16.98
61211	3/4" E	24	4.56	61300	1-1/2" 90° D	24	17.94	61252	3" F	24	16.98
61212	3/4" F	24	4.56	61235	1-1/2" E	24	5.37	64133*	3" Mx2" M	24	34.52
61258	3/4" DC	24	11.09	61236	1-1/2" F	24	5.37	64134**	3" Mx3" M	24	34.52
61214	3/4" DP	24	4.11	61289	1-1/2" 90° F	24	9.58	64135***	3" FCx3" M	24	47.08
61215	1" A	24	4.50	61274	1-1/2" DC	24	15.00	61282	3" DC	24	29.81
61263	1" B	24	12.66	61238	1-1/2" DP	24	4.97	61254	3" DP	24	13.46
61264	1" C	24	12.66	61239	2" A	24	5.94	62789	4" A	8	23.54
61265	1" D	24	12.66	61296	2" 90° A	24	8.74	62790	4" B	8	59.83
61219	1" E	24	5.15	61275	2" B	24	17.64	62791	4" C	8	59.83
61220	1" F	24	5.15	63961	2" B Long	24	18.00	62792	4" D	8	59.83
61266	1" DC	24	12.29	61276	2" C	24	17.64	62793	4" E	8	23.54
61222	1" DP	24	4.50	61301	2" 90° C	24	21.21	62794	4" F	8	23.54
61223	1-1/4" A	24	4.81	61277	2" D	24	17.64	62795	4" DC	8	41.22
61267	1-1/4" B	24	15.07	61302	2" 90° D	24	21.21	62796	4" DP	8	19.42

NOTE: 1/2" couplers and adapters will interchange with 3/4" couplers and adapters. Only the threads and barbs are 1/2".

1-1/4" couplers and adapters will interchange with 1-1/2" couplers and adapters. Only the threads and barbs are 1-1/4".

*3" Male Adapter x 2" Male Adapter

**3" Male Adapter x 3" Male Adapter

***3" Female Coupler x 2" Male Adapter

CAM ACTION COUPLER – REPLACEMENT PARTS LIST

Coupler Description	EPDM Gasket (Standard)	Key Ring	Stainless Steel Pin	Stainless Steel Handle	Polypropylene Shims	Locking Pin
1/2"	61570	61589	61582	61594	61715	—
	\$ 1.33	\$ 0.90	\$ 0.55	\$ 2.41	\$ 1.03	—
3/4"	61570	61589	61582	61594	61715	—
	1.33	0.90	0.55	2.41	1.03	—
1"	61571	61589	61582	61594	61716	—
	0.64	0.90	0.55	2.41	1.03	—
1-1/4"	61572	61589	61585	61595	61717	63545
	0.98	0.90	1.08	4.68	2.03	\$ 0.57
1-1/2"	61572	61589	61585	61595	61717	63545
	0.98	0.90	1.08	4.68	2.03	0.57
2"	61574	61589	61585	61595	61718	63545
	1.19	0.90	1.08	4.68	1.00	0.57
3"	61575	61589	61584	61596	61719	—
	1.73	0.90	1.77	8.22	1.71	—
4"	62797	61589	61584	61596	—	—
	3.81	0.90	1.77	8.22	—	—

FLANGE FITTINGS


STAINLESS STEEL WORM SCREW HOSE CLAMPS FOR FLANGE FITTINGS

Part Number	Description	List Price Each
62932	1" (100 Series)	\$ 9.79
62933	2" (220 Series)	12.24
62934	3" (300 Series)	14.11

EPDM FLANGE GASKET FOR FLANGE FITTINGS

Part Number	Description	List Price Each
62935	1" (100 Series)	\$ 0.93
61574	2" (220 Series)	1.19
61575	3" (300 Series)	1.73

FULL PORT FLANGE VALVES

Blue Handle Part Number	Yellow Handle Part Number	Description	Box Quantity	List Price Each
63027	63028	1" Full Port Flange x Flange (100 Series)	24	\$ 47.11
64256	64257	2" Standard Port Flange x Flange (200 Series)	12	51.54
63122	63123	2" Full Port Compact Flange x Flange (220 Series)	12	52.35
64138	64162	2" Full Port Flange x Flange x Flange 3-Way Side Load (220 Series)	12	95.35
63124	63125	3" Full Port Flange x Flange (300 Series)	8	155.20
 64140	64163	3" Full Port Flange x Flange x Flange 3-Way Bottom Load (300 Series)	8	255.57

FLANGE FITTINGS

1" FULL PORT 100 SERIES

Part Number	Description	List Price Each
62912	1" Flange Tee	\$ 4.98
62913	1" Flange Elbow 90°	4.98
62914	1" Flange Coupling	3.73
63098	1" Flange x 3/4" MPT	1.83
62915	1" Flange x 1" MPT	2.03
63099	1" Flange x 1-1/4" MPT	2.43
62916	1" Flange x 1" FPT	2.61
62917	1" Flange x 3/4" HB	1.54
62918	1" Flange x 1" HB	1.54
62919	1" Flange x 1-1/4" HB	1.54
62920	1" Flange x 3/4" HB 90°	1.85
62921	1" Flange x 1" HB 90°	2.03
62922	1" Flange x 1-1/4" HB 90°	2.21
62923	1" Flange Cross	14.17
62924	1" Flange Plug	1.60
62925	1" Flange Plug with 1/4" FPT	5.63

2" FULL PORT 220 SERIES

63100	2" Flange Tee	\$ 10.76
coming soon 64483	2" Flange Elbow 45°	13.36
63101	2" Flange Elbow 90°	9.40
63102	2" Flange Coupling	11.76
63103	2" Flange x 2" MPT	3.51
63104	2" Flange x 2" FPT	9.65
63105	2" Flange x 1-1/2" HB	3.98
63106	2" Flange x 2" HB	4.15
63107	2" Flange x 1-1/2" HB 90°	7.34
63108	2" Flange x 2" HB 90°	7.34
63109	2" Flange Cross	27.99
63110	2" Flange Plug	4.36
62926	2" Flange x 2" Male Coupler	8.81
64137	2" Flange x 2" Male Adapter Sweep	11.95
coming soon 64405	2" Flange x 2" HB Sweep	20.22
coming soon 64406	2" Flange x 2" MPT Sweep	13.42
coming soon 64484	2" Flange x 2" Flange Sweep	12.84

3" FULL PORT 300 SERIES

63111	3" Flange Tee	\$ 32.24
63112	3" Flange Elbow 90°	28.21
63113	3" Flange Coupling	14.41
63114	3" Flange x 3" MPT	11.16
63115	3" Flange x 2" HB	12.32
63116	3" Flange x 3" HB	12.32
63117	3" Flange x 2" HB 90°	23.99
63118	3" Flange x 3" HB 90°	23.99
63119	3" Flange Cross	58.47
63120	3" Flange Plug	12.08
63121	3" Flange x 3" Male Coupler	15.59
coming soon 64403	3" Flange x 3" MPT Sweep	61.59
coming soon 64404	3" Flange x 3" HB Sweep	47.00

2" AND 3" FULL PORT REDUCER COUPLING

Part Number	Description	List Price Each
62927	2" x 1" Flange Full Port Reducer Coupling	\$ 11.56
64250	2" x 2" Flange Full Port Reducer Coupling	11.64
62928	3" x 2" Full Port Reducer Coupling	20.17

PLEASE ORDER FITTINGS IN BAG QUANTITIES.

THREADED POLYPROPYLENE FITTINGS

POLY TEES – SCH80

Part Number	Description	Box/Bag Quantity	List Price Each
62464	3/8"	10/Bag	\$ 2.90
62209	1/2"	10/Bag	3.33
62210	3/4"	10/Bag	3.49
62211	1"	10/Bag	5.15
62212	1-1/4"	10/Bag	6.18
62213	1-1/2"	—	9.12
62190	2"	—	10.94
62214	3"	—	49.24

90° ELBOWS – SCH80

Part Number	Description	Box/Bag Quantity	List Price Each
62465	3/8"	10/Bag	\$ 3.08
62215	1/2"	10/Bag	2.92
62216	3/4"	10/Bag	3.17
62217	1"	10/Bag	3.81
62218	1-1/4"	10/Bag	4.74
62219	1-1/2"	10/Bag	7.63
62191	2"	10/Bag	8.82
62220	3"	—	43.34

POLY PIPE COUPLING – SCH80

Part Number	Description	Box/Bag Quantity	List Price Each
62461	3/8"	10/Bag	\$ 3.17
62237	1/2"	10/Bag	3.11
62238	3/4"	10/Bag	3.39
62239	1"	10/Bag	3.70
62240	1-1/4"	10/Bag	5.15
62241	1-1/2"	10/Bag	8.76
62194	2"	10/Bag	9.15
62242	3"	—	27.56

POLY CROSS – SCH80

Part Number	Description	Box/Bag Quantity	List Price Each
62262	3/4"	5/Bag	\$ 13.74
62263	1"	5/Bag	14.40
62264	1-1/4"	—	22.10
62265	1-1/2"	—	24.31
62202	2"	—	25.10

POLY NIPPLES – SCH80

Part Number	Description	Box/Bag Quantity	List Price Each
62459	3/8" x Short	10/Bag	\$ 1.15
62221	1/2" x Short	10/Bag	1.20
62222	1/2" x 3"	10/Bag	1.92
60554	3/4" x Short	10/Bag	1.77
62223	3/4" x 4"	10/Bag	2.06
62224	3/4" x 6"	10/Bag	2.52
60555	1" x Short	10/Bag	2.11
62225	1" x 4"	10/Bag	2.45
62226	1" x 6"	10/Bag	2.92
60556	1-1/4" x Short	10/Bag	2.23
62227	1-1/4" x 4"	10/Bag	2.92
62228	1-1/4" x 6"	10/Bag	3.51
60547	1-1/2" x Short	10/Bag	3.00
62229	1-1/2" x 4"	10/Bag	6.34
62230	1-1/2" x 6"	10/Bag	7.57
60548	2" x Short	10/Bag	3.37
62192	2" x 4"	10/Bag	7.18
62193	2" x 6"	10/Bag	8.26
61769	3" x Short	—	11.41
62232	3" x 6"	—	17.84
62467	4" x Short	—	17.00

REDUCER NIPPLES – SCH80

Part Number	Description	Box/Bag Quantity	List Price Each
62455	1/2" x 3/8"	10/Bag	\$ 1.50
62233	3/4" x 1/2"	10/Bag	1.73
62456	1" x 1/2"	10/Bag	1.92
62234	1" x 3/4"	10/Bag	1.92
62457	1-1/4" x 3/4"	10/Bag	2.33
62235	1-1/4" x 1"	10/Bag	2.45
62458	1-1/2" x 1"	10/Bag	3.21
62236	1-1/2" x 1-1/4"	10/Bag	2.62
60549	2" x 1-1/2"	10/Bag	2.88
61768	3" x 2"	—	10.51
62938	4" x 3"	—	16.24

PLEASE ORDER FITTINGS IN BAG OR BOX QUANTITIES.

THREADED POLYPROPYLENE FITTINGS*

REDUCER BUSHING – SCH80

Part Number	Description	Box/Bag Quantity	List Price Each
62466	3/8" x 1/4"	10/Bag	1.92
62267	1/2" x 1/4"	10/Bag	1.92
62268	1/2" x 3/8"	10/Bag	1.92
62269	3/4" x 1/8"	10/Bag	1.92
62270	3/4" x 1/4"	10/Bag	1.92
62271	3/4" x 3/8"	10/Bag	1.92
62272	3/4" x 1/2"	10/Bag	1.92
62273	1" x 1/8"	10/Bag	2.04
62274	1" x 1/4"	10/Bag	2.04
62275	1" x 1/2"	10/Bag	2.04
62276	1" x 3/4"	10/Bag	2.04
62277	1-1/4" x 3/4"	10/Bag	2.62
62278	1-1/4" x 1"	10/Bag	2.62
62279	1-1/2" x 3/4"	10/Bag	3.39
62280	1-1/2" x 1"	10/Bag	3.39
62281	1-1/2" x 1-1/4"	10/Bag	3.39
62195	2" x 3/4"	10/Bag	3.51
62196	2" x 1"	10/Bag	3.51
62197	2" x 1-1/4"	10/Bag	3.51
62198	2" x 1-1/2"	10/Bag	3.51
62282	3" x 1-1/2"	—	12.79
60330	3" x 2"	—	10.83

POLY PIPE PLUG – SCH80

Part Number	Description	Box/Bag Quantity	List Price Each
62255	1/2"	10/Bag	\$ 1.92
62256	3/4"	10/Bag	1.92
62257	1"	10/Bag	1.92
62258	1-1/4"	10/Bag	2.62
62259	1-1/2"	10/Bag	3.74
62201	2"	10/Bag	3.55
62260	3"	—	13.79

STREET ELBOW 45° – SCH80

Part Number	Description	Box/Bag Quantity	List Price Each
62907	3/4"	10/Bag	\$ 4.90
62908	1"	10/Bag	7.15
62909	1-1/4"	10/Bag	8.88
62910	1-1/2"	10/Bag	9.69
62911	2"	10/Bag	11.21

STREET ELBOW 90° – SCH80

Part Number	Description	Box/Bag Quantity	List Price Each
62460	3/8"	10/Bag	\$ 3.08
62243	1/2"	10/Bag	2.97
62244	3/4"	10/Bag	3.39
62245	1"	10/Bag	3.70
62246	1-1/4"	10/Bag	5.15
62247	1-1/2"	10/Bag	7.63
62199	2"	10/Bag	9.03
62248	3"	—	43.34

POLY PIPE CAP – SCH80

Part Number	Description	Box/Bag Quantity	List Price Each
62462	1/2"	10/Bag	\$ 3.82
62250	3/4"	10/Bag	3.82
62251	1"	10/Bag	3.82
62463	1-1/4"	10/Bag	4.56
62253	1-1/2"	10/Bag	6.45
62200	2"	10/Bag	6.92
62254	3"	—	24.61

POLYPROPYLENE KING NIPPLES

Part Number	Description	Box/Bag Quantity	List Price Each
61319	1-1/2"	24/Box	\$ 2.73
61861	2"	24/Box	3.65
61321	3"	24/Box	10.43
62468	4"	—	22.27

POLYPROPYLENE HOSE BARBS

Part Number	Description	Box/Bag Quantity	List Price Each
61303	1/2"	50/Bag	\$ 1.10
61304	3/4"	50/Bag	1.29
61305	1"	25/Bag	1.59
64153	1" MPT x 1" HB Elbow 90°	—	2.13
62469	1-1/4" MPT x 1" HB Elbow 90°	—	2.19

PLEASE ORDER STRAINERS IN BOX QUANTITIES.

Y-LINE STRAINERS POLYPROPYLENE

Part Number	Description	Box Quantity	List Price Each
64169	1/2" w/20 Mesh OM Screen	12	28.56
64170	1/2" w/50 Mesh OM Screen	12	28.56
64171	1/2" w/80 Mesh OM Screen	12	32.21
64172	1/2" w/100 Mesh OM Screen	12	31.57
64173	3/4" w/20 Mesh OM Screen	12	28.56
64174	3/4" w/50 Mesh OM Screen	12	28.56
64175	3/4" w/80 Mesh OM Screen	12	32.21
64176	3/4" w/100 Mesh OM Screen	12	31.57
61478*	1" w/20 Mesh Screen	12	27.83
coming soon 64294	1" w/20 Mesh OM Screen	12	37.15
64295	1" w/50 Mesh OM Screen	12	35.21
61480*	1" w/80 Mesh Screen	12	31.09
coming soon 64296	1" w/100 Mesh OM Screen	12	37.15
61738*	1-1/4" w/20 Mesh Screen	12	27.83
coming soon 64297	1-1/4" w/20 Mesh OM Screen	12	37.15
64298	1-1/4" w/50 Mesh OM Screen	12	37.15
61741*	1-1/4" w/80 Mesh Screen	12	31.09
coming soon 64299	1-1/4" w/100 Mesh OM Screen	12	37.15
64078*	1-1/2" w/12 Mesh Screen	12	36.10
61488*	1-1/2" w/20 Mesh Screen	12	53.40
coming soon 64272	1-1/2" w/20 Mesh OM Screen	12	57.46
64273	1-1/2" w/50 Mesh OM Screen	12	64.53
61490*	1-1/2" w/80-20 Mesh Screen	12	58.57
coming soon 64274	1-1/2" w/100 Mesh OM Screen	12	64.53
64098*	2" w/12 Mesh Screen	12	36.10
61493*	2" w/20 Mesh Screen	12	53.40
coming soon 64275	2" w/20 Mesh OM Screen	12	57.46
64276	2" w/50 Mesh OM Screen	12	64.53
61495*	2" w/80-20 Mesh Screen	12	58.57
coming soon 64277	2" w/100 Mesh OM Screen	12	64.53
62338	3" w/12 Mesh Screen	—	352.43
62339	3" w/20 Mesh Screen	—	352.43
62340	3" w/40 Mesh Screen	—	352.43

OM = Over-molded
*While supply lasts

Y-LINE STRAINER REPLACEMENT PARTS

Part Number	Description	List Price Each
61452	1/2" & 3/4" EPDM O-Ring	\$ 0.98
61307	1/2" YLS w/o Screen	16.94
61308	3/4" YLS w/o Screen	16.94
64177	20 Mesh OM Screen for 1/2" & 3/4"	15.79
64178	50 Mesh OM Screen for 1/2" & 3/4"	15.79
64179	80 Mesh OM Screen for 1/2" & 3/4"	19.18
64180	100 Mesh OM Screen for 1/2" & 3/4"	18.80
61750	1" & 1-1/4" EPDM O-Ring	1.10
61309	1" YLS w/o Screen	20.49
61748	1-1/4" YLS w/o Screen	20.49
61749*	20 Mesh Screen for 1" & 1-1/4"	11.08
64300	20 Mesh OM Screen for 1" & 1-1/4"	21.45 coming soon
64292	50 Mesh OM Screen for 1" & 1-1/4"	21.45
61747*	80 Mesh Screen for 1" & 1-1/4"	12.65
64293	100 Mesh OM Screen for 1" & 1-1/4"	21.45 coming soon
61561	1-1/2" & 2" EPDM Gasket	1.32
61287	1-1/2" YLS w/o Screen	36.07
61288	2" YLS w/o Screen	36.07
61567	Cap only for 1-1/2" & 2" w/Plug & Plug O-Ring	14.95
62307*	12 Mesh Screen for 1-1/2" & 2"	27.95
61508*	20 Mesh Screen for 1-1/2" & 2"	20.41
64260	20 Mesh OM Screen for 1-1/2" & 2"	23.34 coming soon
64261	50 Mesh OM Screen for 1-1/2" & 2"	31.03
61510*	80/20 Mesh Screen for 1-1/2" & 2"	25.73
64262	100 Mesh OM Screen for 1-1/2" & 2"	31.03 coming soon
62266	3" EPDM Body O-Ring	4.60
62283	3" EPDM Plug O-Ring	0.35
62334	3" YLS w/o Screen	245.82
62249	12 Mesh Screen for 3"	99.06
62252	20 Mesh Screen for 3"	99.06
62261	40 Mesh Screen for 3"	99.06
62400	80 Mesh Screen for 3"	99.06
62335	3" Cap only w/Plug & Plug O-Ring	73.60

OM = Over-molded
*While supply lasts

T-LINE STRAINERS POLYPROPYLENE – NATURAL

Part Number	Description	Box Quantity	List Price Each
61459*	1/2" w/20 Mesh Screen	12	\$ 15.71
61460*	1/2" w/40 Mesh Screen	12	15.71
61461*	1/2" w/80 Mesh Screen	12	15.71

*While supply lasts

T-LINE STRAINERS POLYPROPYLENE – BLACK WITH CLEAN-OUT PLUG

Part Number	Description	Box Quantity	List Price Each
coming soon 64281	1/2" w/20 Mesh Screen	12	\$ 20.59
coming soon 64282	1/2" w/40 Mesh Screen	12	19.42
coming soon 64283	1/2" w/80 Mesh Screen	12	20.59
64284	3/4" w/20 Mesh Screen	12	20.59
64285	3/4" w/40 Mesh Screen	12	19.42
64286	3/4" w/80 Mesh Screen	12	20.59
64287	1" w/20 Mesh Screen	12	20.59
64288	1" w/40 Mesh Screen	12	19.42
64289	1" w/80 Mesh Screen	12	20.59

T-LINE STRAINERS REPLACEMENT PARTS

Part Number	Description	List Price Each
61537	1/2" - 1" EPDM Gasket	\$ 0.92
61283*	1/2" TLS w/o Screen Natural	12.35
coming soon 64278	1/2" TLS w/o Screen Black	14.70
64279	3/4" TLS w/o Screen Black	14.70
64280	1" TLS w/o Screen Black	14.70
61404	20 Mesh Screen	7.37
61405	40 Mesh Screen	8.54
61406	80 Mesh Screen	7.81

*While supply lasts

TERMS AND CONDITIONS:

Terms: Net 30 days. A service charge of 1-1/2% per month applied to past due accounts.

FOB: Sheldon, IA. Freight prepaid on orders of \$1,500.00 net or more within the continental United States and Canada.

Minimum Order: \$50.00 net minimum. A \$25.00 handling charge will be assessed on orders less than \$50.00 net.

Returns: All returns must be pre-approved by Norwesco and sent freight prepaid. Please note that a 10% restocking charge will be assessed.



NORWESCO, LLC
4365 Steiner Street, P.O. Box 439
St. Bonifacius, MN 55375-0439
Tel 800-328-3420 • Fax 800-874-2371

www.norwesco.com VCP3001019