



# MASTER PRICE SHEETS



This list supersedes all previous lists.

**USA**

**MACHINE PRICES AND SPECIFICATIONS**

**Effective July 12, 2019**

## **5000 TITAN ROCK PICKER**

### PICKER FEATURES

- Dumping height - 79" (2007 mm)
- Hopper capacity - 5 cu. yds. (3.82 m<sup>3</sup>)
- 450 BHN Steel teeth and T-iron tops for extra-long life
- Hydraulic Pivoting hitch
- Picks rocks - 2" - 27" (5cm - 69cm)
- Required horsepower -125 HP (93 kW)
- Required tractor hydraulic capacity at 4 remote outlets  
12 GPM@2200PSI, 4 remote outlets
- Case Drain Required
- Recommended Reel Speed 36 rpm

### **~ ~ Selection 1 ~ Choose a Basic Unit ~ ~**

		<b>Price USA</b>	<b>Wt/LBS</b>
R800-100	5000 TITAN Rock Picker 5 cu.yd. bucket, 6.5 ft Dump Height, Hydraulic Swing Hitch	<b>31,108.00</b>	
R800-200	Optional Rock Deflector	<b>318.00</b>	

### **~ ~ Selection 2 ~ Reel and Grates ~ ~**

R800-180	Grate and Reel c/w Narrow 1 1/2" spacing, 450 BHN Steel Teeth and T-iron	<b>15,568.00</b>
R800-185	Grate and Reel c/w Wide 3 9/32" spacing, 450 BHN Steel Teeth and T-iron	<b>13,577.00</b>

### **~ ~ Selection 3 ~ Reel and Grates ~ ~**

R800-250	Flow Control Kit	<b>280.00</b>
R800-800	<b>Containerized/Racked</b>	<b>Net 943.00</b>
R800-810	<b>Set up for loading</b>	<b>Net 227.00</b>
	<b>Setup For Towing</b>	<b>Net 550.00</b>

**PREDELIVERY SERVICE IS REQUIRED BY DEALER OR END USER**

**Prices and specifications subject to change without notice or obligation.**



This list supersedes all previous lists.

**USA**

**MACHINE PRICES AND SPECIFICATIONS**

Effective July 12, 2019



## **RS 320 'JUMBO' ROCK PICKER**



### **PICKER FEATURES**

- Hydraulic cylinders & hoses
- Grated buckets
- Extended hitch poles
- Pivoting hitch
- Safety chain

### **TRACTOR HYDRAULIC REQUIREMENTS**

Rock pickers, hydraulically driven, **require closed center** dual remote outlets with a minimum of 12 gallons per minute flow at 1750 psi.

**~ ~ Selection 1 ~ Choose a Basic Unit ~ ~**

			<b>Price USA</b>	<b>Wt/lbs</b>
1)	<b>90-100</b>	RS320 'Jumbo' Rock Picker, conveyer type, hydraulic drive, semi hi-lift, 4 batt, 3.2 cubic yard grated bucket c/w pivoting hitch, 16.5x16.1x10 Ply Tires	<b>32,915.00</b>	5086

**~ ~ Selection 2 ~ Extra Options ~ ~**

1)	<b>431-00</b>	Hydraulic Motor Valve Kit for RS320 Rock Picker	<b>2,054.00</b>	40
2)	<b>S000-075</b>	Safety Light Kit	<b>580.00</b>	31
3)	<b>90-250</b>	Hydraulic Swing Hitch (For RS320 Only)	<b>483.00</b>	70
		<b>Setup For Loading</b>	<b>Net</b>	<b>150.00</b>
		<b>Setup For Towing</b>	<b>Net</b>	<b>260.00</b>

**IMPORTANT:** Safety Chain Kit & Safety Light Kit must be used at all time when moving equipment on any type of road.



# MASTER PRICE SHEET



This list supersedes all previous lists.

**USA**

**MACHINE PRICES AND SPECIFICATIONS**

Effective July 12, 2019

## High Rise 8000

### PICKER FEATURES

- Dump Height of 8 Feet
- Floating Grate Prevents Damage from Immovable Rocks
- Grated Bucket Helps to Sift Dirt from Rocks
- Tapered T-Iron Grate Prevents Rocks from Jamming
- Bucket Capacity of 3 Cubic Yards
- A Pivoting Hitch Allows for Ease of Transport
- Extension Springs Cushion Shock Loads in Batts When Picking Rocks
- Safety Road Lighting

### TRACTOR HYDRAULIC REQUIREMENTS

Rock pickers, hydraulically driven, **require closed center** dual remote outlets with a minimum of 12 gallons per minute flow at 1750 psi.

**HOW TO ORDER:** You must select from 1 to receive a complete rock picker  
To receive additional options, choose from selection 2.

~ ~ **Selection 1 ~ Choose a Basic Unit** ~ ~

	Price USA	Wt/lbs
1) <b>R400-001</b> High Rise 8000 Rock Picker Base Unit	<b>21,759.00</b>	6458
<b>Choose One Required Option:</b>		
a) <b>R400-145</b> Solid Back Panel	<b>714.00</b>	
b) <b>R400-155</b> Round Grated Back Panel	<b>1,981.00</b>	
<b>Choose One Required Option:</b>		
a) <b>R400-610</b> Tires (16.5x16.1x10 ply) Hub & Axle Kit	<b>3,111.00</b>	
<b>Choose one:</b>		
a) <b>R100-180</b> Grate & Reel Assembly, 1 1/2" Spacing (Narrow)	<b>9,158.00</b>	
b) <b>R100-185</b> Grate & Reel Assembly, 3 9/32" Spacing (Wide)	<b>8,312.00</b>	
c) <b>R100-190</b> Heavy Duty Grate & Reel Assembly c/w 450 BHN Steel & Replacable Grate Teeth	<b>11,005.00</b>	
<b>Pick one of the Following:</b>		
a) <b>R100-250</b> Standard Hydraulics	<b>159.00</b>	
b) <b>R100-255</b> Flow Control Kit	<b>437.00</b>	
c) <b>R100-260</b> Hydraulic Motor Valve Kit for High Rise 8000 Picker	<b>1,991.00</b>	
<i>(For tractors with open center hydraulics)</i>		

Prices and specifications subject to change without notice or obligation.



# MASTER PRICE SHEET



This list supersedes all previous lists.

**USA**

**MACHINE PRICES AND SPECIFICATIONS**

Effective July 12, 2019



## *High Rise 8000*



~ ~ *Selection 2* ~ *Options* ~ ~

1)	<b>R400-250</b>	Hydraulic Swing Hitch	<b>408.00</b>	30
2)	<b>R400-260</b>	Rubber Bumpers for Dumping into Truck Boxes	<b>429.00</b>	20
3)	<b>R400-300</b>	CE Shield Kit for High Rise 8000 Rock Picker	<b>3,239.00</b>	310
4)	<b>R400-FR</b>	French Destination Kit	<b>100.00</b>	
5)	<b>R400-670</b>	North American Lights & Brackets	<b>387.00</b>	
6)	<b>R400-680</b>	European Lights & Brackets	<b>110.00</b>	
7)	<b>R400-NA</b>	North America Decal Kit	<b>56.00</b>	

<b>Setup For Loading</b>	<b>Net</b>	<b>150.00</b>
<b>Setup For Towing</b>	<b>Net</b>	<b>360.00</b>

**PREDELIVERY SERVICE IS REQUIRED BY DEALER OR END USER**

Prices and specifications subject to change without notice or obligation.



This list supersedes all previous lists.

**USA**

**MACHINE PRICES AND SPECIFICATIONS**

Effective July 12, 2019



## *High Rise 8000*



~ ~ *Kit Descriptions* ~ ~

**1) Hydraulic Reservoir Kit**

- A self contained 12 GPM pump and tank system provides hydraulic power for operation of rock pickers in cases where tractor hydraulic output is not sufficient. The kit includes a tractor mounted pump and solenoid valve for reversing flow to the hydraulic motor.

**2) Hydraulic Motor Valve Kit**

- For tractors with open center hydraulic systems and 12 gallons per minute output. Maintains flow to the hydraulic motor while lifting or lowering the rock picker grate.

**3) Hydraulic Swing Hitch Kit**

- This kit provides a hydraulic cylinder which allows you to move the hitch in and out of transport position from the comfort of your cab.

**4) Dump Truck Bumper Kit**

- This kit provides adjustable bumpers that attach to the rear of the rock picker for backing up to trucks.

**5) CE Shielding Kit**

- This kit provides extra shielding in the grate and reel areas to meet European standards.

**PREDELIVERY SERVICE IS REQUIRED BY DEALER OR END USER**

**Prices and specifications subject to change without notice or obligation.**



This list supersedes all previous lists.

**USA**

**MACHINE PRICES AND SPECIFICATIONS**

Effective July 12, 2019

**2500 GIANT PICKER**

**PICKER FEATURES**

- Hydraulic cylinders & hoses
- Grated buckets
- Extended hitch poles
- Pivoting hitch
- Safety chain

**TRACTOR HYDRAULIC REQUIREMENTS**

Rock pickers, hydraulically driven, **require closed center** dual remote outlets with a minimum of 12 gallons per minute flow at 1750 psi.

**~ ~ Selection 1 ~ Choose a Basic Unit ~ ~**

		Price USA	Wt/lbs
1)	R100-001 2500 Giant Big Bucket Rock Picker, reel type, pivoting hitch, rock deflector, hydraulic drive, semi hi-lift, 16.5x16.1x10 Ply Tires	19,375.00	4626
	<i>Choose one:</i> (2500 only)		
a)	R100-180 Grate & Reel Assembly, 1 1/2" Spacing (Narrow)	9,158.00	
b)	R100-185 Grate & Reel Assembly, 3 9/32" Spacing (Wide)	8,312.00	
c)	R100-190 Heavy Duty Grate and Reel Assembly c/w 450 BHN Steel and Replaceable Grate Teeth	11,005.00	
d)	R100-192 Heavy Duty Grate and Reel Assembly c/w 450 BHN Steel Reel and Narrow spacing Grate	10,829.00	
	<b>Pick one of the Following</b>		
a)	R100-250 Standard Hydraulics	159.00	
b)	R100-255 Flow Control Kit	437.00	
c)	R100-260 Hydraulic Motor Valve Kit for 2500 Picker	1,991.00	

**~ ~ Selection 2 ~ Extra Options ~ ~**

1)	R100-300 CE Shield Kit for 2500 Rock Picker	4,041.00	783
2)	S000-035 Safety Light Kit	452.00	31
3)	R400-250 Hydraulic Swing Hitch (2500 Giant )	408.00	30
	<b>Setup For Loading</b>	<b>Net</b>	<b>150.00</b>
	<b>Setup For Towing</b>	<b>Net</b>	<b>360.00</b>

**IMPORTANT:** Safety Chain Kit & Safety Light Kit must be used at all time when moving equipment on any type of road.



# MASTER PRICE SHEET



This list supersedes all previous lists.

**USA**

**MACHINE PRICES AND SPECIFICATIONS**

Effective July 12, 2019



## ***SRW1400 Rock Windrower***



### SPECIFICATIONS

- Horsepower Required --- 40hp to 150hp, 540 rpm
- Maximum Ground Speed -- 5mph
- Recommended Ground Speed -- 2mph
- Drum Speed -- 117 rpm @ 540 input
- Tires - ST205 90-15, D Load Range
- Transport Width -- 7.75'
- Transport Length -- 235"

**HOW TO ORDER:** You must select from 1, 2 and 3 to receive a complete rock windrower. To receive additional options, choose from selection 4.

**~ ~ Selection 1 ~ Choose a Basic Unit ~ ~**

1)	R200-000	SRW1400 Standard 14' Unit	<b>Price USA</b>	
			<b>24,245.00</b>	<b>Wt/lbs</b>
				3480

**~ ~ Selection 2 ~ Hydraulic Cylinder Kit ~ ~**

1)	R200-270	Complete Hydraulic Cylinder Kit consisting of (2) 3 x 8 hydraulic cylinders c/w depth stops, steel lines, hoses and fittings (required to operate windrower)	<b>818.00</b>	70
----	----------	--	---------------	----

**~ ~ Selection 3 ~ Destination Codes ~ ~**

Please select the destination of the windrower for proper Decals and Manuals.

1)	R200-NA	North America and Australia	<b>60.00</b>	
----	---------	-----------------------------	--------------	--

**PREDELIVERY SERVICE IS REQUIRED BY DEALER OR END USER**

Prices and specifications subject to change without notice or obligation.





This list supersedes all previous lists.

**USA**

**MACHINE PRICES AND SPECIFICATIONS**

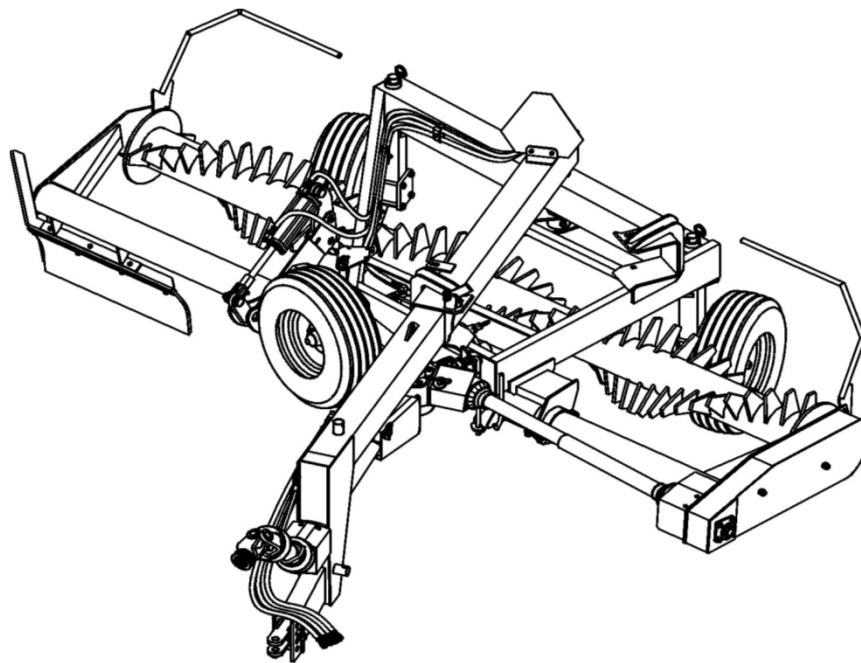
Effective July 12, 2019



## *SRW1400 Rock Windrower*

~ ~ *Selection 4 ~ Extra Options* ~ ~

			Price USA	Wt/lbs
1)	R200-260	Selector Valve Kit for SRW1400. Required when tractor has only single set of hydraulic outlets.	<b>1,099.00</b>	20
2)	R200-220	CE Shield Kit for SRW1400	<b>2,683.00</b>	512
3)	S000-065	Safety Light Kit for SRW1400	<b>540.00</b>	31
4)	R000-200	High Speed Sprocket (for gravel reclamation)	<b>133.00</b>	9
	Assembly Charge		Net	<b>460.00</b>



**PREDELIVERY SERVICE IS REQUIRED BY DEALER OR END USER**



This list supersedes all previous lists.



**USA**

**MACHINE PRICES AND SPECIFICATIONS**

Effective July 12, 2019



## SRW-1000 Rock Windrower



### SPECIFICATIONS

- Horsepower Required --- 40hp to 150hp (30-112KW), 540rpm
- Maximum Ground Speed -- 5mph (8kph)
- Recommended Ground Speed -- 2mph (3kph)
- Drum Speed -- 117 rpm @ 540 input
- Drum Width -- 10 ft (3.05 m)
- Tires - Forklift Tire 6.5 x 10, 10 ply
- Transport Width -- 7.75'
- Transport Length -- 235"
- Weight -- 2660 lbs (1206 kg)

~ ~ **Selection 1 ~ Choose a Basic Unit** ~ ~

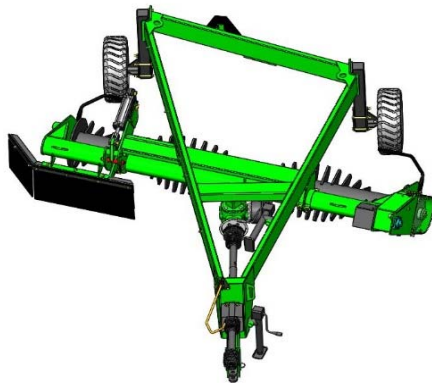
		Price USA	Wt/lbs
R900-100	SWR1000 Standard 10 ft unit	<b>15,273.00</b>	
R900-200	Safety Light Kit (Required in North America)	<b>544.00</b>	

~ ~ **Selection 2 Tire Kit** ~ ~

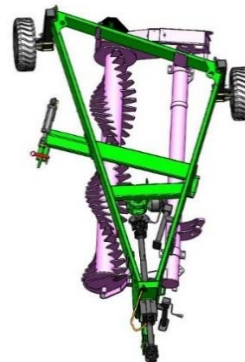
210-175WG	Forklift Tire 6.5 x 10, 12 ply on 2 pce 5 bolt rim	<b>274.00</b>	
-----------	--	---------------	--

~ ~ **Selection 3 ~ Extra Options** ~ ~

R000-200	High Speed Sprocket		<b>133.00</b>
R900-800	Shipping Kit	Net	<b>219.00</b>
	Assembly	Net	<b>300.00</b>



Assembled unit



Shipping kit installed ready for truck



This list supersedes all previous lists.

**USA**

**MACHINE PRICES AND SPECIFICATIONS**

Effective July 12, 2019

**SRW800 Rock Windrower**

**SPECIFICATIONS**

- Variable Hydraulic Drum Angle 0 degrees to 18 degrees
- Horsepower Required --- 35hp to 100hp
- Maximum Ground Speed -- 5mph
- Recommended Ground Speed -- 2mph
- Drum Speed -- 102 rpm @ 540 input
- Tires -- 16.5 x 6.5 x 8 ply
- Transport Width -- 8.5'
- Transport Length -- 67"

HOW TO ORDER: You must select from 1 and 2 to receive a complete rock windrower.  
 To receive additional options, choose from selection 3.

**~ ~ Selection 1 ~ Choose a Basic Unit ~ ~**

		Price USA	Wt/lbs
1)	R300-000 SRW800 Standard 8' Unit	<b>11,556.00</b>	1350

**~ ~ Selection 2 ~ Choose a Destination Code ~ ~**

Please select the destination of the windrower for proper Decals and Manuals.

1)	R300-NA North America and Australia	<b>44.00</b>	
2)	R300-FR France	<b>116.00</b>	
3)	R300-SE Sweden	<b>88.00</b>	
4)	R300-RU Russian	<b>88.00</b>	

**~ ~ Selection 3 ~ Extra Options ~ ~**

1)	R300-130 CE Shield Kit for SRW800	<b>947.00</b>	167
2)	R000-200 High Speed Sprocket (for gravel reclamation)	<b>133.00</b>	9
	Assembly Charge	Net <b>150.00</b>	

**PREDELIVERY SERVICE IS REQUIRED BY DEALER OR END USER**

Prices and specifications subject to change without notice or obligation.



This list supersedes all previous lists.

Effective July 12, 2019

**USA**

**MACHINE PRICES AND SPECIFICATIONS**

**SMR-800 Multi Skid-steer Windrower/Landscape Rake/Sweeper**

**SPECIFICATIONS**

Weight (approximate)	1900 lbs (862 kg)	Drum width	89" (2.26 m)
Transport width	102" ( 2.59 m)	Tires	23" forklift (58 cm)

**~ ~ Selection 1 ~ Choose a Basic Unit ~ ~**

		<b>USA LIST</b>
R500-100	Skid-steer Windrower Base Unit	<b>2,860.00</b>

**~ ~ Selection 2 ~ Choose One Correct Harness (With Hydraulic Rotating Opt only) ~ ~**

R500-315	Interface Harness, JCB/Takeuchi	<b>210.00</b>
R500-320	Interface Harness, Volvo	<b>210.00</b>
R500-325	Interface Harness, Kubota	<b>210.00</b>
R500-330	Interface Harness for CNH	<b>210.00</b>
R500-335	Interface Harness for Cat (14 pin)	<b>210.00</b>
R500-340	Interface Harness for JohnDeere	<b>210.00</b>
R500-345	Electric Harness With Switch Box	<b>557.00</b>
R500-350	Interface Harness for Bobcat	<b>1,200.00</b>

**~ ~ Selection 3 ~ Choose Drum Configuration ~ ~**

R500-115	Standard Drum	<b>2,703.00</b>
<b>Choose One:</b>		
R500-185	2.5 Inch 450 BHN Steel Replaceable Teeth <b>or</b>	<b>760.00</b>
R500-180	4 Inch 450 BHN Steel Replaceable Teeth	<b>1,005.00</b>
R500-120	Sweeper Broom	<b>2,000.00</b>

**~ ~ Selection 4 ~ Choose Mount ~ ~**

R500-130	Standard Mount	<b>881.00</b>
R500-135	Floating Mount	<b>1,968.00</b>

**~ ~ Selection 5 ~ Choose Wheel Option (must pick) ~ ~**

R500-610	Standard Wheels	<b>2,060.00</b>
----------	-----------------	-----------------

**~ ~ Selection 6 ~ Choose Rotation ~ ~**

R500-205	Hydraulic Rotating option	<b>3,128.00</b>
R500-210	Manual Pivot Option	<b>400.00</b>

**~ ~ Selection 7 ~ Choose Flow Option ~ ~**

R500-215	Drive Option 8.0 CU.IN. Motor	<b>996.00</b>
R500-220	Drive Option 15.0 CU.IN. Motor	<b>1,507.00</b>
R500-225	Drive Option 9.9 CU.IN. Motor	<b>1,495.00</b>
R500-230	Drive Option 19.0 CU.IN. Motor	<b>1,528.00</b>
R500-235	Drive Option 24.0 CU.IN. Motor	<b>1,537.00</b>
	Assembly	
		Net <b>150.00</b>

**Use this flow chart to determine the proper Drive option**

GPM @2500psi	Motor size (cu. in.)				
	8	9.9	15	19	24
18	213	168	112	90	69
20	237	189	125	101	77
22	263	208	138	112	85
25	299	238	157	126	98
27		264	175	139	110
30		285	188	152	119
35			221	178	136

Landscaping, levelling, seedbed prep – Target RPM from 175-260  
 Large debris removal, rock windrowing – Target RPM from 110-140  
 Sweeping – Target RPM 210



This list supersedes all previous lists.

Effective July 12, 2019

**USA**

**MACHINE PRICES AND SPECIFICATIONS**

**SMR-600 Multi Skid-steer Windrower/Landscape Rake/Sweeper**

**SPECIFICATIONS**

Weight (approximate)	1600 lbs (725 kg)	Drum width	73" (1.85m)
Transport width	88" (2.23m)	Tires	23" forklift (58 cm)

~ ~ **Selection 1 ~ Choose a Basic Unit** ~ ~

**USA LIST**

R700-100	Skid-steer Windrower Base Unit	2,779.00
----------	--------------------------------	----------

~ ~ **Selection 2 ~ Choose One Correct Harness (With Hydraulic Rotating Opt only)** ~ ~

R500-315	Interface Harness,JCB/Takeuchi	210.00
R500-320	Interface Harness,Volvo	210.00
R500-325	Interface Harness,Kubota	210.00
R500-330	Interface Harness for CNH	210.00
R500-335	Interface Harness for Cat (14 pin)	210.00
R500-340	Interface Harness for JohnDeere	210.00
R500-345	Electric Harness With Switch Box	557.00
R500-350	Interface Harness for Bobcat	1,200.00

~ ~ **Selection 3 ~ Choose Drum Configuration** ~ ~

R700-115	Standard Drum with Replaceable Teeth <i>Add Replacemnt Teeth</i>	2,297.00
R700-120	2.5 Inch 450 BHN Steel Replaceable Teeth <i>or</i>	590.00
R700-125	4 Inch 450 BHN Steel Replaceable Teeth	766.00

~ ~ **Selection 4 ~ Choose Mount** ~ ~

R500-130	Standard Mount	881.00
R500-135	Floating Mount	1,968.00

~ ~ **Selection 5 ~ Choose Wheel Option (must pick)** ~ ~

R700-600	Standard Wheels	1,342.00
----------	-----------------	----------

~ ~ **Selection 6 ~ Choose Rotation** ~ ~

R700-215	Hydraulic Rotating option	3,017.00
R500-210	Manual Pivot Option	400.00

~ ~ **Selection 7 ~ Choose Flow Option** ~ ~

R500-215	Drive Option 8.0 CU.IN. Motor	996.00
R500-220	Drive Option 15.0 CU.IN. Motor	1,507.00
R500-225	Drive Option 9.9 CU.IN. Motor	1,495.00
R500-230	Drive Option 19.0 CU.IN. Motor	1,528.00
R500-235	Drive Option 24.0 CU.IN. Motor	1,537.00

Assembly Net 150.00

**Use this flow chart to determine the proper Drive option**

GPM @2500psi	Motor size (cu. in.)				
	8	9.9	15	19	24
18	213	168	112	90	69
20	237	189	125	101	77
22	263	208	138	112	85
25	299	238	157	126	98
27		264	175	139	110
30		285	188	152	119
35			221	178	136

Landscaping, levelling, seedbed prep – Target RPM from 175-260  
 Large debris removal, rock windrowing – Target RPM from 110-140