



MASTER PRICE SHEETS



This list supersedes all previous lists.

USA

MACHINE PRICES AND SPECIFICATIONS

Effective June 18, 2020



5000 TITAN ROCK PICKER



PICKER FEATURES

- Dumping height - 79" (2007 mm)
- Hopper capacity - 5 cu. yds. (3.82 m³)
- 450 BHN Steel teeth and T-iron tops for extra-long life
- Hydraulic Pivoting hitch
- Picks rocks - 2" - 27" (5cm - 69cm)
- Required horsepower -125 HP (93 kW)
- Required tractor hydraulic capacity at 4 remote outlets
12 GPM@2200PSI, 4 remote outlets
- Case Drain Required
- Recommended Reel Speed 36 rpm

~ ~ Selection 1 ~ Choose a Basic Unit ~ ~

		Price USA	Wt/LBS
R800-100	5000 TITAN Rock Picker 5 cu.yd. bucket, 6.5 ft Dump Height, Hydraulic Swing Hitch	32,096.00	
R800-200	Optional Rock Deflector	293.00	

~ ~ Selection 2 ~ Reel and Grates ~ ~

R800-180	Grate and Reel c/w Narrow 1 1/2" spacing, 450 BHN Steel Teeth and T-iron	15,080.00	
R800-185	Grate and Reel c/w Wide 3 9/32" spacing, 450 BHN Steel Teeth and T-iron	13,137.00	

~ ~ Selection 3 ~ Reel and Grates ~ ~

R800-250	Flow Control Kit	291.00	
R800-800	Containerized/Racked	Net	869.00
R800-810	Set up for loading	Net	225.00
	Setup For Towing	Net	550.00

PREDELIVERY SERVICE IS REQUIRED BY DEALER OR END USER

Prices and specifications subject to change without notice or obligation.



MASTER PRICE SHEETS



This list supersedes all previous lists.

USA

MACHINE PRICES AND SPECIFICATIONS

Effective June 18, 2020



RS 320 'JUMBO' ROCK PICKER



PICKER FEATURES

- Hydraulic cylinders & hoses
- Grated buckets
- Extended hitch poles
- Pivoting hitch
- Safety chain

TRACTOR HYDRAULIC REQUIREMENTS

Rock pickers, hydraulically driven, **require closed center** dual remote outlets with a minimum of 12 gallons per minute flow at 1750 psi.

~ ~ Selection 1 ~ Choose a Basic Unit ~ ~

			Price USA	Wt/lbs
1)	90-100	RS320 'Jumbo' Rock Picker, conveyer type, hydraulic drive, semi hi-lift, 4 batt, 3.2 cubic yard grated bucket c/w pivoting hitch, 16.5x16.1x10 Ply Tires	32,844.00	5086

~ ~ Selection 2 ~ Extra Options ~ ~

1)	431-00	Hydraulic Motor Valve Kit for RS320 Rock Picker	2,123.00	40
2)	S000-075	Safety Light Kit	594.00	31
3)	90-250	Hydraulic Swing Hitch (For RS320 Only)	489.00	70

	Setup For Loading	Net	150.00
	Setup For Towing	Net	260.00

IMPORTANT: Safety Chain Kit & Safety Light Kit must be used at all time when moving equipment on any type of road.



MASTER PRICE SHEET



This list supersedes all previous lists.

USA

MACHINE PRICES AND SPECIFICATIONS

Effective June 18, 2020



High Rise 8000



PICKER FEATURES

- Dump Height of 8 Feet
- Floating Grate Prevents Damage from Immovable Rocks
- Grated Bucket Helps to Sift Dirt from Rocks
- Tapered T-Iron Grate Prevents Rocks from Jamming
- Bucket Capacity of 3 Cubic Yards
- A Pivoting Hitch Allows for Ease of Transport
- Extension Springs Cushion Shock Loads in Batts When Picking Rocks
- Safety Road Lighting

TRACTOR HYDRAULIC REQUIREMENTS

Rock pickers, hydraulically driven, **require closed center** dual remote outlets with a minimum of 12 gallons per minute flow at 1750 psi.

HOW TO ORDER: You must select from 1 to receive a complete rock picker
To receive additional options, choose from selection 2.

~ ~ **Selection 1 ~ Choose a Basic Unit** ~ ~

	Price USA	Wt/lbs
1) R400-001 High Rise 8000 Rock Picker Base Unit	21,591.00	6458
Choose One Required Option:		
a) R400-145 Solid Back Panel	730.00	
b) R400-155 Round Grated Back Panel	1,941.00	
Choose One Required Option:		
a) R400-610 Tires (16.5x16.1x10 ply) Hub & Axle Kit	3,151.00	
Choose one:		
a) R100-180 Grate & Reel Assembly, 1 1/2" Spacing (Narrow)	8,544.00	
b) R100-185 Grate & Reel Assembly, 3 9/32" Spacing (Wide)	7,859.00	
c) R100-190 Heavy Duty Grate & Reel Assembly c/w 450 BHN Steel & Replacable Grate Teeth	10,709.00	
d) R100-205 Grate & Reel Assembly, 3 9/32" Spacing (Wide) c/w Replaceable Grate Teeth	8,274.00	

Prices and specifications subject to change without notice or obligation.



This list supersedes all previous lists.

USA

MACHINE PRICES AND SPECIFICATIONS

Effective June 18, 2020



High Rise 8000



~ ~ **Selection 2 ~ Choose a Hitch Pole** ~ ~

2)	R400-140	Longer Bent Hitch Pole	1,378.00
		Pick one of the Following:	
	a)	R100-265 Standard Hydraulics <i>(Longer Hitch Only)</i>	324.00
	b)	R100-270 Hydraulics w/ Flow Control Kit <i>(Longer Hitch Only)</i>	458.00
	c)	R100-275 Hydraulics w/ Motor Valve Kit <i>(Longer Hitch Only)</i> <i>(For tractors with open center hydraulics)</i>	2,081.00
	d)	R400-255 Hydraulic Swing Hitch <i>(Longer Hitch Only)</i>	397.00

~ ~ **Selection 3 ~ Options** ~ ~

1)	R400-260	Rubber Bumpers for Dumping into Truck Boxes	437.00	20
2)	R400-300	CE Shield Kit for High Rise 8000 Rock Picker	3,225.00	310
3)	R400-FR	French Destination Kit	100.00	
4)	R400-670	North American Lights & Brackets	374.00	
5)	R400-680	European Lights & Brackets	110.00	
6)	R400-NA	North America Decal Kit	60.00	

Setup For Loading	Net	150.00
Setup For Towing	Net	360.00

PREDELIVERY SERVICE IS REQUIRED BY DEALER OR END USER



MASTER PRICE SHEET



This list supersedes all previous lists.

USA

MACHINE PRICES AND SPECIFICATIONS

Effective June 18, 2020



High Rise 8000



~ ~ ***Kit Descriptions*** ~ ~

1) Hydraulic Reservoir Kit

- A self contained 12 GPM pump and tank system provides hydraulic power for operation of rock pickers in cases where tractor hydraulic output is not sufficient. The kit includes a tractor mounted pump and solenoid valve for reversing flow to the hydraulic motor.

2) Hydraulic Motor Valve Kit

- For tractors with open center hydraulic systems and 12 gallons per minute output. Maintains flow to the hydraulic motor while lifting or lowering the rock picker grate.

3) Hydraulic Swing Hitch Kit

- This kit provides a hydraulic cylinder which allows you to move the hitch in and out of transport position from the comfort of your cab.

4) Dump Truck Bumper Kit

- This kit provides adjustable bumpers that attach to the rear of the rock picker for backing up to trucks.

5) CE Shielding Kit

- This kit provides extra shielding in the grate and reel areas to meet European standards.

PREDELIVERY SERVICE IS REQUIRED BY DEALER OR END USER

Prices and specifications subject to change without notice or obligation.



MASTER PRICE SHEETS



This list supersedes all previous lists.

USA

MACHINE PRICES AND SPECIFICATIONS

Effective June 18, 2020



2500 GIANT PICKER



PICKER FEATURES

- Hydraulic cylinders & hoses
- Grated buckets
- Extended hitch poles
- Pivoting hitch
- Safety chain

TRACTOR HYDRAULIC REQUIREMENTS

Rock pickers, hydraulically driven, **require closed center** dual remote outlets with a minimum of 12 gallons per minute flow at 1750 psi.

~ ~ Selection 1 ~ Choose a Basic Unit ~ ~

		Price USA	Wt/lbs
1)	R100-001 2500 Giant Big Bucket Rock Picker, reel type, pivoting hitch, rock deflector, hydraulic drive, semi hi-lift, 16.5x16.1x10 Ply Tires	19,066.00	4626
	<i>Choose one:</i> (2500 only)		
	a) R100-180 Grate & Reel Assembly, 1 1/2" Spacing (Narrow)	8,544.00	
	b) R100-185 Grate & Reel Assembly, 3 9/32" Spacing (Wide)	7,859.00	
	c) R100-190 Heavy Duty Grate and Reel Assembly c/w 450 BHN Steel and Replaceable Grate Teeth	10,709.00	
	d) R100-205 Grate & Reel Assembly, 3 9/32" Spacing (Wide) c/w Replaceable Grate Teeth	8,274.00	

~ ~ Selection 2 ~ Choose a Hitch Pole ~ ~

2)	R400-140 Longer Bent Hitch Pole	1,378.00	
	<i>Pick one of the Following:</i>		
	a) R100-265 Standard Hydraulics (Longer Hitch Only)	324.00	
	b) R100-270 Hydraulics w/ Flow Control Kit (Longer Hitch Only)	458.00	
	c) R100-275 Hydraulics w/ Motor Valve Kit (Longer Hitch Only) <i>(For tractors with open center hydraulics)</i>	2,081.00	
	d) R400-255 Hydraulic Swing Hitch (Longer Hitch Only)	397.00	

Prices and specifications subject to change without notice or obligation.



MASTER PRICE SHEETS



This list supersedes all previous lists.

USA

MACHINE PRICES AND SPECIFICATIONS

Effective June 18, 2020



2500 GIANT PICKER



~ ~ **Selection 3** ~ **Extra Options** ~ ~

1)	R100-300	CE Shield Kit for 2500 Rock Picker	4,002.00	783
2)	S000-035	Safety Light Kit	487.00	31
		Setup For Loading	Net	150.00
		Setup For Towing	Net	360.00

IMPORTANT: Safety Chain Kit & Safety Light Kit must be used at all time when moving equipment on any type of road.



MASTER PRICE SHEET



This list supersedes all previous lists.

USA

MACHINE PRICES AND SPECIFICATIONS

Effective June 18, 2020



SRW1400 Rock Windrower



SPECIFICATIONS

- Horsepower Required --- 40hp to 150hp, 540 rpm
- Maximum Ground Speed -- 5mph
- Recommended Ground Speed -- 2mph
- Drum Speed -- 117 rpm @ 540 input
- Tires - ST205 90-15, D Load Range
- Transport Width -- 7.75'
- Transport Length -- 235"

HOW TO ORDER: You must select from 1, 2 and 3 to receive a complete rock windrower. To receive additional options, choose from selection 4.

~ ~ Selection 1 ~ Choose a Basic Unit ~ ~

			Price USA		Wt/lbs
1)	R200-000	SRW1400 Standard 14' Unit	24,238.00		3480

~ ~ Selection 2 ~ Hydraulic Cylinder Kit ~ ~

			Price USA		Wt/lbs
1)	R200-270	Complete Hydraulic Cylinder Kit consisting of (2) 3 x 8 hydraulic cylinders c/w depth stops, steel lines, hoses and fittings (required to operate windrower)	816.00		70

~ ~ Selection 3 ~ Destination Codes ~ ~

Please select the destination of the windrower for proper Decals and Manuals.

			Price USA		
1)	R200-NA	North America and Australia	60.00		

PREDELIVERY SERVICE IS REQUIRED BY DEALER OR END USER

Prices and specifications subject to change without notice or obligation.



This list supersedes all previous lists.

USA

MACHINE PRICES AND SPECIFICATIONS

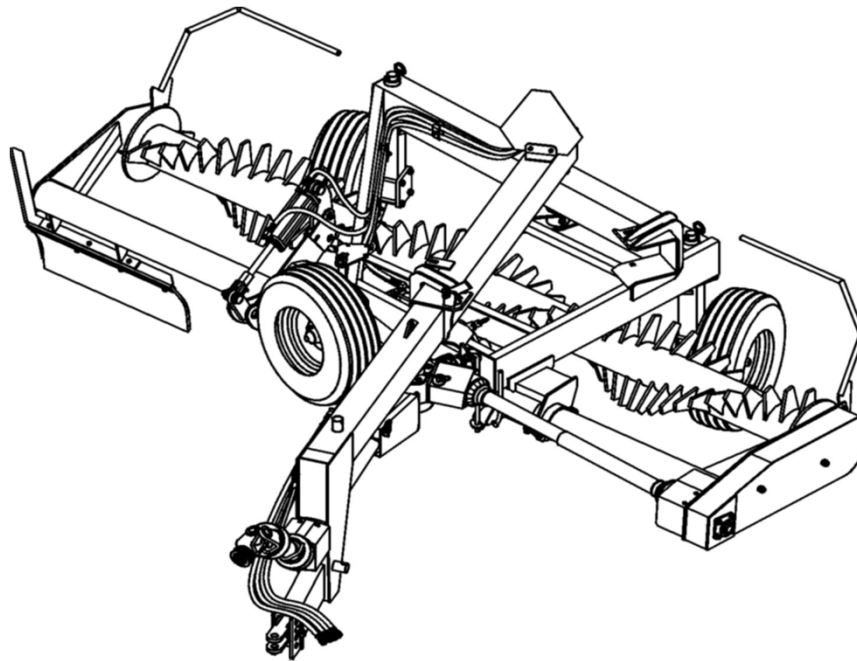
Effective June 18, 2020



SRW1400 Rock Windrower

~ ~ *Selection 4 ~ Extra Options* ~ ~

		Price USA	Wt/lbs
1)	R200-260 Selector Valve Kit for SRW1400. Required when tractor has only single set of hydraulic outlets.	1,172.00	20
2)	R200-220 CE Shield Kit for SRW1400	2,652.00	512
3)	S000-065 Safety Light Kit for SRW1400	552.00	31
4)	R000-200 High Speed Sprocket (for gravel reclamation)	138.00	9
	Assembly Charge	Net	460.00



PREDELIVERY SERVICE IS REQUIRED BY DEALER OR END USER

This list supersedes all previous lists.



USA

MACHINE PRICES AND SPECIFICATIONS

Effective June 18, 2020



SRW-1000 Rock Windrower



SPECIFICATIONS

- Horsepower Required --- 40hp to 150hp (30-112KW), 540rpm
- Maximum Ground Speed -- 5mph (8kph)
- Recommended Ground Speed -- 2mph (3kph)
- Drum Speed -- 117 rpm @ 540 input
- Drum Width -- 10 ft (3.05 m)
- Tires - Forklift Tire 6.5 x 10, 10 ply
- Transport Width -- 7.75'
- Transport Length -- 235"
- Weight -- 2660 lbs (1206 kg)

~ ~ **Selection 1 ~ Choose a Basic Unit** ~ ~

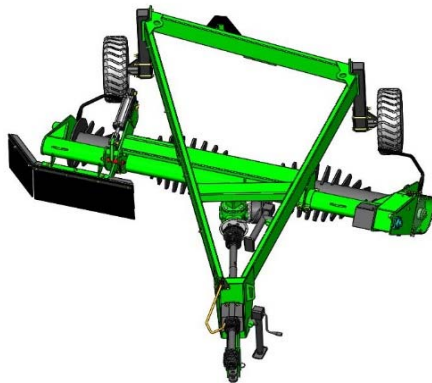
		Price USA	Wt/lbs
R900-100	SWR1000 Standard 10 ft unit	15,246.00	
R900-200	Safety Light Kit (Required in North America)	557.00	

~ ~ **Selection 2 Tire Kit** ~ ~

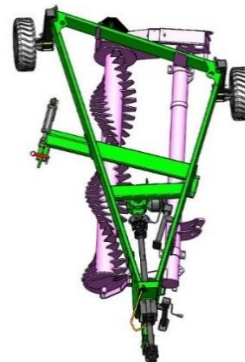
210-175WG	Forklift Tire 6.5 x 10, 12 ply on 2 pce 5 bolt rim	278.00	
-----------	--	---------------	--

~ ~ **Selection 3 ~ Extra Options** ~ ~

R000-200	High Speed Sprocket		138.00
R900-800	Shipping Kit	Net	212.00
	Assembly	Net	300.00



Assembled unit



Shipping kit installed ready for truck



This list supersedes all previous lists.

USA

MACHINE PRICES AND SPECIFICATIONS

Effective June 18, 2020

SRW800 Rock Windrower

SPECIFICATIONS

- Variable Hydraulic Drum Angle 0 degrees to 18 degrees
- Horsepower Required --- 35hp to 100hp
- Maximum Ground Speed -- 5mph
- Recommended Ground Speed -- 2mph
- Drum Speed -- 102 rpm @ 540 input
- Tires -- 16.5 x 6.5 x 8 ply
- Transport Width -- 8.5'
- Transport Length -- 67"

HOW TO ORDER: You must select from 1 and 2 to receive a complete rock windrower.
 To receive additional options, choose from selection 3.

~ ~ **Selection 1 ~ Choose a Basic Unit** ~ ~

1)	R300-000	SRW800 Standard 8' Unit	Price USA		Wt/lbs
			11,558.00		1350

~ ~ **Selection 2 ~ Choose a Destination Code** ~ ~

Please select the destination of the windrower for proper Decals and Manuals.

1)	R300-NA	North America and Australia	38.00		
2)	R300-FR	France	116.00		
3)	R300-SE	Sweden	88.00		
4)	R300-RU	Russian	88.00		

~ ~ **Selection 3 ~ Extra Options** ~ ~

1)	R300-130	CE Shield Kit for SRW800	1,011.00		167
2)	R000-200	High Speed Sprocket (for gravel reclamation)	138.00		9
		Assembly Charge	Net 150.00		

PREDELIVERY SERVICE IS REQUIRED BY DEALER OR END USER

Prices and specifications subject to change without notice or obligation.



This list supersedes all previous lists.

Effective June 18, 2020

USA

MACHINE PRICES AND SPECIFICATIONS

SMR-800 Multi Skid-steer Windrower/Landscape Rake/Sweeper

SPECIFICATIONS

Weight (approximate)	1900 lbs (862 kg)	Drum width	89" (2.26 m)
Transport width	102" (2.59 m)	Tires	23" forklift (58 cm)

~ ~ Selection 1 ~ Choose a Basic Unit ~ ~

USA LIST

R500-100	Skid-steer Windrower Base Unit	3,273.00
----------	--------------------------------	----------

~ ~ Selection 2 ~ Choose One Correct Harness (With Hydraulic Rotating Opt only) ~ ~

R500-315	Interface Harness, JCB/Takeuchi	210.00
R500-320	Interface Harness, Volvo	210.00
R500-325	Interface Harness, Kubota	210.00
R500-330	Interface Harness for CNH	210.00
R500-335	Interface Harness for Cat (14 pin)	210.00
R500-340	Interface Harness for JohnDeere	210.00
R500-345	Electric Harness With Switch Box	556.00
R500-350	Interface Harness for Bobcat	1,185.00

~ ~ Selection 3 ~ Choose Drum Configuration ~ ~

R500-115	Standard Drum	2,632.00
	Choose One:	
R500-185	2.5 Inch 450 BHN Steel Replaceable Teeth or	749.00
R500-180	4 Inch 450 BHN Steel Replaceable Teeth	959.00
R500-120	Sweeper Broom	1,983.00

~ ~ Selection 4 ~ Choose Mount ~ ~

R500-130	Standard Mount	833.00
R500-135	Floating Mount	1,884.00

~ ~ Selection 5 ~ Choose Wheel Option (must pick) ~ ~

R500-610	Standard Wheels	2,025.00
----------	-----------------	----------

~ ~ Selection 6 ~ Choose Rotation ~ ~

R500-205	Hydraulic Rotating option	3,160.00
R500-210	Manual Pivot Option	397.00

~ ~ Selection 7 ~ Choose Flow Option ~ ~

R500-215	Drive Option 8.0 CU.IN. Motor	1,015.00
R500-220	Drive Option 15.0 CU.IN. Motor	1,559.00
R500-225	Drive Option 9.9 CU.IN. Motor	1,528.00
R500-230	Drive Option 19.0 CU.IN. Motor	1,579.00
R500-235	Drive Option 24.0 CU.IN. Motor	1,599.00

Assembly	Net	150.00
----------	-----	--------

Use this flow chart to determine the proper Drive option

GPM @2500psi	Motor size (cu. in.)				
	8	9.9	15	19	24
18	213	168	112	90	69
20	237	189	125	101	77
22	263	208	138	112	85
25	299	238	157	126	98
27		264	175	139	110
30		285	188	152	119
35			221	178	136

Landscaping, levelling, seedbed prep – Target RPM from 175-260
 Large debris removal, rock windrowing – Target RPM from 110-140
 Sweeping – Target RPM 210



This list supersedes all previous lists.

Effective June 18, 2020

USA

MACHINE PRICES AND SPECIFICATIONS

SMR-600 Multi Skid-steer Windrower/Landscape Rake/Sweeper

SPECIFICATIONS

Weight (approximate)	1600 lbs (725 kg)	Drum width	73" (1.85m)
Transport width	88" (2.23m)	Tires	23" forklift (58 cm)

~ ~ **Selection 1 ~ Choose a Basic Unit** ~ ~

USA LIST

R700-100	Skid-steer Windrower Base Unit	2,860.00
----------	--------------------------------	-----------------

~ ~ **Selection 2 ~ Choose One Correct Harness (With Hydraulic Rotating Opt only)** ~ ~

R500-315	Interface Harness, JCB/Takeuchi	210.00
R500-320	Interface Harness, Volvo	210.00
R500-325	Interface Harness, Kubota	210.00
R500-330	Interface Harness for CNH	210.00
R500-335	Interface Harness for Cat (14 pin)	210.00
R500-340	Interface Harness for JohnDeere	210.00
R500-345	Electric Harness With Switch Box	556.00
R500-350	Interface Harness for Bobcat	1,185.00

~ ~ **Selection 3 ~ Choose Drum Configuration** ~ ~

R700-115	Standard Drum with Replaceable Teeth <i>Add Replacemnt Teeth</i>	2,305.00
R700-120	2.5 Inch 450 BHN Steel Replaceable Teeth <i>or</i>	588.00
R700-125	4 Inch 450 BHN Steel Replaceable Teeth	737.00

~ ~ **Selection 4 ~ Choose Mount** ~ ~

R500-130	Standard Mount	833.00
R500-135	Floating Mount	1,884.00

~ ~ **Selection 5 ~ Choose Wheel Option (must pick)** ~ ~

R700-600	Standard Wheels	1,342.00
----------	-----------------	-----------------

~ ~ **Selection 6 ~ Choose Rotation** ~ ~

R700-215	Hydraulic Rotating option	3,093.00
R500-210	Manual Pivot Option	397.00

~ ~ **Selection 7 ~ Choose Flow Option** ~ ~

R500-215	Drive Option 8.0 CU.IN. Motor	1,015.00
R500-220	Drive Option 15.0 CU.IN. Motor	1,559.00
R500-225	Drive Option 9.9 CU.IN. Motor	1,528.00
R500-230	Drive Option 19.0 CU.IN. Motor	1,579.00
R500-235	Drive Option 24.0 CU.IN. Motor	1,599.00

Assembly Net **150.00**

Use this flow chart to determine the proper Drive option

GPM @2500psi	Motor size (cu. in.)				
	8	9.9	15	19	24
18	213	168	112	90	69
20	237	189	125	101	77
22	263	208	138	112	85
25	299	238	157	126	98
27		264	175	139	110
30		285	188	152	119
35			221	178	136

Landscaping, levelling, seedbed prep – Target RPM from 175-260
 Large debris removal, rock windrowing – Target RPM from 110-140