

Aug-17

### MKX 130 X-Tend

Westfield's retracting swing auger offers the convenience of being able to extend, swing side-to-side and retract, without having to move or reposition the truck. The X-Tend was designed to work with the MKX 130. It's fast and convenient!

	Ships with Hydraulic Hopper Lift Kit			
<b>MKX 130-64 X-Tend</b>	13" x 64' auger with X-Tend Hopper	\$33,488	\$2,009	5240 lbs
<b>MKX 130-74 X-Tend</b>	13" x 74' auger with X-Tend Hopper	\$34,914	\$2,095	5538 lbs
<b>MKX 130-84 X-Tend</b>	13" x 84' auger with X-Tend Hopper	\$37,066	\$2,224	7435 lbs
<b>MKX 130-94 X-Tend</b>	13" x 94' auger with X-Tend Hopper	\$41,345	\$2,481	8239 lbs
<b>MKX 130-114 X-Tend</b>	13" x 114' auger with X-Tend Hopper	\$48,797	\$2,928	9706 lbs

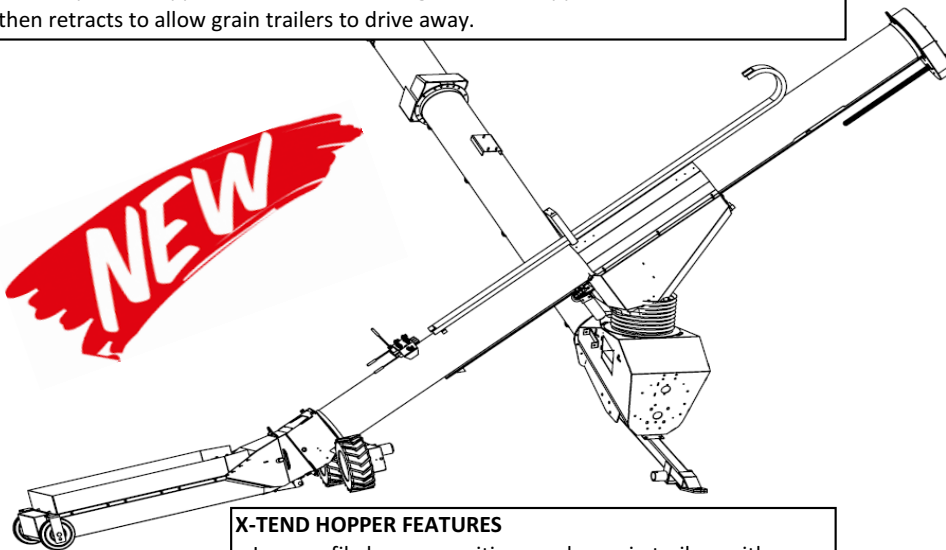
### MKX 130 X-Tend Only

MKX130 conversion kit includes: Hydraulic hopper lift kit, X-tend hopper lift arm, and hydraulic hoses. **Note:** MKX1364 auger cannot be converted must be ordered as a complete new auger.

<b>A383</b>	X-Tend hopper only	\$16,889	\$1,013	1800 lbs
<b>X123*</b>	MKX130 X-Tend Conversion CREDIT	\$3,502		

\*X123 Return Parts are: Low Pro Hopper with tires and transition neck, hopper lift arm, hopper winch and cable, MKX130 swing tube BDL **PARTS MUST BE NEW** Above 'X' number is for return only

Once a grain trailer is in position, the swing tube is extended. The power swing moves the low profile hopper side-to-side, reaching the truck hoppers with ease. The X-Tend then retracts to allow grain trailers to drive away.



#### X-TEND HOPPER FEATURES

- Low profile hopper positions under grain trailers with ease
- Hydraulic power swing with large lug tires, allow for precise positioning and maximum traction
- Dual flighting channels grain flow into the swing tube matching the capacity of your MKX 130 auger