

Aug-17

### X130 X-Tend

Wheatheart's retracting swing auger offers the convenience of being able to extend, swing side-to-side and retract, without having to move or reposition the truck. The X-Tend was designed to work with the X 130. It's fast and convenient!

|                  | Ships with Hydraulic Hopper Lift Kit |          |          |
|------------------|--------------------------------------|----------|----------|
| X 130-74 X-Tend  | 13" x 74' auger with X-Tend Hopper   | \$34,540 | 7183 lbs |
| X 130-84 X-Tend  | 13" x 84' auger with X-Tend Hopper   | \$36,162 | 8008 lbs |
| X 130-94 X-Tend  | 13" x 94' auger with X-Tend Hopper   | \$41,130 | 8526 lbs |
| X 130-114 X-Tend | 13" x 114' auger with X-Tend Hopper  | \$47,607 | 9706 lbs |

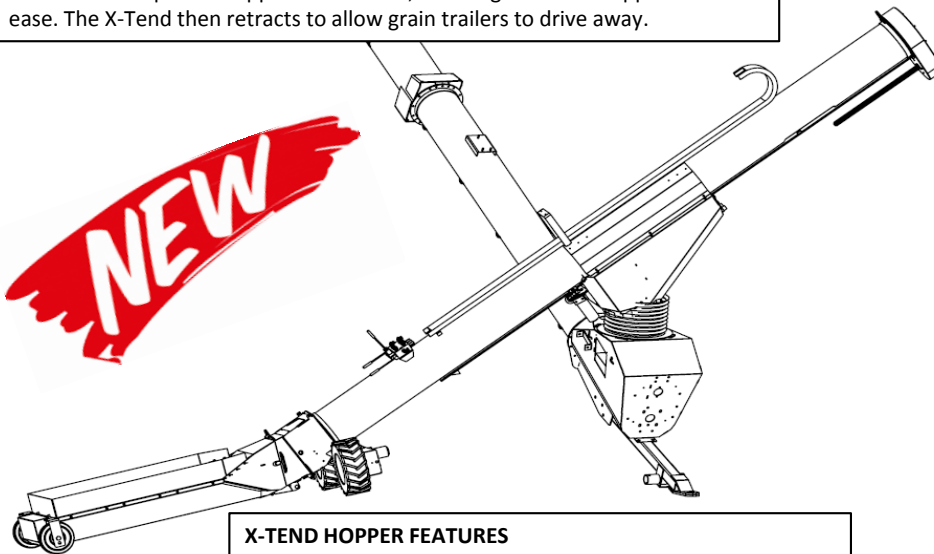
### X130 X-Tend Only

X130 conversion kit includes: Hydraulic hopper lift kit, X-tend hopper lift arm, and

|        |                                 |          |          |
|--------|---------------------------------|----------|----------|
| A383WH | X-Tend hopper only              | \$16,477 | 1800 lbs |
| X123*  | MKX130 X-Tend Conversion CREDIT | \$3,502  |          |

\*X123 Return Parts are: Low Pro Hopper with tires and transition neck, hopper lift arm, hopper winch and cable, X130 swing tube BDL **PARTS MUST BE NEW** Above 'X' number is for return only

Once a grain trailer is in position, the swing tube is extended. The power swing moves the low profile hopper side-to-side, reaching the truck hoppers with ease. The X-Tend then retracts to allow grain trailers to drive away.



#### X-TEND HOPPER FEATURES

- Low profile hopper positions under grain trailers with ease
- Hydraulic power swing with large lug tires, allow for precise positioning and maximum traction
- Dual flighting channels grain flow into the swing tube matching the capacity of your X 130 auger