



Price List
2023-2024
U S A



SINGLE LANDROLLER (without Transport)

| | Product Description | Model | Drum Size | Net Setup* | Price |
|---------|---|--------|----------------------------------|------------|--------------|
| 6' | LRS06101 6' Single Landroller | L650S | X3650 - 36" x 1/2" Drum (0.500") | \$ - | \$ 8,500.00 |
| | LRS06201 6' Single Landroller | L650S | X4263 - 42" x 5/8" Drum (0.625") | \$ - | \$ 8,800.00 |
| | LRS06301 6' Single Landroller | L650S | X4275 - 42" x 3/4" Drum (0.750") | \$ - | \$ 9,300.00 |
| 8' | LRS08101 8' Single Landroller | L850S | X3650 - 36" x 1/2" Drum (0.500") | \$ - | \$ 10,300.00 |
| | LRS08201 8' Single Landroller | L850S | X4263 - 42" x 5/8" Drum (0.625") | \$ - | \$ 10,700.00 |
| | LRS08301 8' Single Landroller | L850S | X4275 - 42" x 3/4" Drum (0.750") | \$ - | \$ 11,300.00 |
| 10' | LRS10101 10' Single Landroller | L1050S | X3650 - 36" x 1/2" Drum (0.500") | \$ - | \$ 12,300.00 |
| | LRS10201 10' Single Landroller | L1050S | X4263 - 42" x 5/8" Drum (0.625") | \$ - | \$ 12,700.00 |
| | LRS10301 10' Single Landroller | L1050S | X4275 - 42" x 3/4" Drum (0.750") | \$ - | \$ 13,300.00 |
| 12' | LRS12101 12' Single Landroller | L1250S | X3650 - 36" x 1/2" Drum (0.500") | \$ - | \$ 15,000.00 |
| | LRS12201 12' Single Landroller | L1250S | X4263 - 42" x 5/8" Drum (0.625") | \$ - | \$ 15,400.00 |
| | LRS12301 12' Single Landroller | L1250S | X4275 - 42" x 3/4" Drum (0.750") | \$ - | \$ 16,300.00 |
| 15' | LRS15101 15' Single Landroller | L1550S | X3650 - 36" x 1/2" Drum (0.500") | \$ - | \$ 17,200.00 |
| | LRS15201 15' Single Landroller | L1550S | X4263 - 42" x 5/8" Drum (0.625") | \$ - | \$ 17,700.00 |
| | LRS15301 15' Single Landroller | L1550S | X4275 - 42" x 3/4" Drum (0.750") | \$ - | \$ 18,700.00 |
| 20' | LRS20101 20' Single Landroller | L2050S | X3650 - 36" x 1/2" Drum (0.500") | \$ - | \$ 20,900.00 |
| | LRS20201 20' Single Landroller | L2050S | X4263 - 42" x 5/8" Drum (0.625") | \$ - | \$ 21,600.00 |
| | LRS20301 20' Single Landroller | L2050S | X4275 - 42" x 3/4" Drum (0.750") | \$ - | \$ 22,700.00 |
| OPTIONS | AA001090 Clevis Hitch Insert | | | \$ - | \$ 80.00 |
| | AA001089 Pintle Wedge Kit | | | \$ - | \$ 75.00 |
| | AA001001 Mechanical Acre Counter for 36" Drum | | | \$ - | \$ 325.00 |
| | AA001002 Mechanical Acre Counter for 42" Drum | | | \$ - | \$ 325.00 |
| | <i>Select a Colour:</i> | | | | |
| | Colour - B Colour: BLACK | | | | Included |
| | Colour - G Colour: GREEN | | | | Included |

*All Setup Charges are Required

All prices subject to applicable steel surcharge and taxes



MINI LANDROLLER (with Transport)

| | Product Description | Model | Drum Size | Net Setup* | Price |
|--------------------------|---|--------|----------------------------------|------------|--------------|
| 6' | LRM06101 6' Mini Landroller | L650M | X3650 - 36" x 1/2" Drum (0.500") | \$ 200.00 | \$ 13,400.00 |
| | LRM06201 6' Mini Landroller | L650M | X4263 - 42" x 5/8" Drum (0.625") | \$ 200.00 | \$ 13,900.00 |
| | LRM06301 6' Mini Landroller | L650M | X4275 - 42" x 3/4" Drum (0.750") | \$ 200.00 | \$ 14,700.00 |
| 8' | LRM08101 8' Mini Landroller | L850M | X3650 - 36" x 1/2" Drum (0.500") | \$ 200.00 | \$ 15,800.00 |
| | LRM08201 8' Mini Landroller | L850M | X4263 - 42" x 5/8" Drum (0.625") | \$ 200.00 | \$ 16,300.00 |
| | LRM08301 8' Mini Landroller | L850M | X4275 - 42" x 3/4" Drum (0.750") | \$ 200.00 | \$ 17,200.00 |
| 10' | LRM10101 10' Mini Landroller | L1050M | X3650 - 36" x 1/2" Drum (0.500") | \$ 200.00 | \$ 19,300.00 |
| | LRM10201 10' Mini Landroller | L1050M | X4263 - 42" x 5/8" Drum (0.625") | \$ 200.00 | \$ 19,900.00 |
| | LRM10301 10' Mini Landroller | L1050M | X4275 - 42" x 3/4" Drum (0.750") | \$ 200.00 | \$ 21,000.00 |
| 12' | LRM12101 12' Mini Landroller | L1250M | X3650 - 36" x 1/2" Drum (0.500") | \$ 200.00 | \$ 23,700.00 |
| | LRM12201 12' Mini Landroller | L1250M | X4263 - 42" x 5/8" Drum (0.625") | \$ 200.00 | \$ 24,500.00 |
| | LRM12301 12' Mini Landroller | L1250M | X4275 - 42" x 3/4" Drum (0.750") | \$ 200.00 | \$ 25,800.00 |
| 15' | LRM15101 15' Mini Landroller | L1550M | X3650 - 36" x 1/2" Drum (0.500") | \$ 200.00 | \$ 27,200.00 |
| | LRM15201 15' Mini Landroller | L1550M | X4263 - 42" x 5/8" Drum (0.625") | \$ 200.00 | \$ 28,100.00 |
| | LRM15301 15' Mini Landroller | L1550M | X4275 - 42" x 3/4" Drum (0.750") | \$ 200.00 | \$ 29,600.00 |
| 20' | LRM20101 20' Mini Landroller | L2050M | X3650 - 36" x 1/2" Drum (0.500") | \$ 200.00 | \$ 33,100.00 |
| | LRM20201 20' Mini Landroller | L2050M | X4263 - 42" x 5/8" Drum (0.625") | \$ 200.00 | \$ 34,300.00 |
| | LRM20301 20' Mini Landroller | L2050M | X4275 - 42" x 3/4" Drum (0.750") | \$ 200.00 | \$ 36,200.00 |
| OPTIONS | AA001090 Clevis Hitch Insert | | | \$ - | \$ 80.00 |
| | AA001089 Pintle Wedge Kit | | | \$ - | \$ 75.00 |
| | AA001001 Mechanical Acre Counter for 36" Drum | | | \$ - | \$ 325.00 |
| | AA001002 Mechanical Acre Counter for 42" Drum | | | \$ - | \$ 325.00 |
| | KU100002 Mini Landroller Dual Wheel Upgrade Kit | | | \$ - | \$ 1,800.00 |
| | KU100005 Mini Landroller HD Wheel Lift Cylinder | | | \$ - | \$ 865.00 |
| | Select a Colour: | | | | |
| Colour - B Colour: BLACK | | | | | Included |
| Colour - G Colour: GREEN | | | | | Included |

***All Setup Charges are Required**

****All prices subject to applicable steel surcharge and taxes****



INLINE LANDROLLER

| | Product Description | Model | Drum Size | Net Setup* | Price |
|---------------------------------|---|--------|----------------------------------|------------|--------------|
| 10' | LRI10101 10' Inline Landroller | L1050I | X3650 - 36" x 1/2" Drum (0.500") | \$ 300.00 | \$ 27,500.00 |
| | LRI10201 10' Inline Landroller | L1050I | X4263 - 42" x 5/8" Drum (0.625") | \$ 300.00 | \$ 28,500.00 |
| | LRI10301 10' Inline Landroller | L1050I | X4275 - 42" x 3/4" Drum (0.750") | \$ 300.00 | \$ 30,000.00 |
| | AA005014 <i>Mud Scraper Kit Option: 10' (36" Drum)</i> | | | \$ - | \$ 1,050.00 |
| | AA005018 <i>Mud Scraper Kit Option: 10' (42" Drum)</i> | | | \$ - | \$ 1,050.00 |
| 13' | LRI13101 13' Inline Landroller | L1350I | X3650 - 36" x 1/2" Drum (0.500") | \$ 300.00 | \$ 30,500.00 |
| | LRI13201 13' Inline Landroller | L1350I | X4263 - 42" x 5/8" Drum (0.625") | \$ 300.00 | \$ 31,600.00 |
| | LRI13301 13' Inline Landroller | L1350I | X4275 - 42" x 3/4" Drum (0.750") | \$ 300.00 | \$ 33,300.00 |
| | AA005015 <i>Mud Scraper Kit Option: 13' (36" Drum)</i> | | | \$ - | \$ 1,305.00 |
| | AA005019 <i>Mud Scraper Kit Option: 13' (42" Drum)</i> | | | \$ - | \$ 1,305.00 |
| 15' | LRI15101 15' Inline Landroller | L1550I | X3650 - 36" x 1/2" Drum (0.500") | \$ 300.00 | \$ 32,400.00 |
| | LRI15201 15' Inline Landroller | L1550I | X4263 - 42" x 5/8" Drum (0.625") | \$ 300.00 | \$ 33,500.00 |
| | LRI15301 15' Inline Landroller | L1550I | X4275 - 42" x 3/4" Drum (0.750") | \$ 300.00 | \$ 35,300.00 |
| | AA005016 <i>Mud Scraper Kit Option: 15' (36" Drum)</i> | | | \$ - | \$ 1,475.00 |
| | AA005020 <i>Mud Scraper Kit Option: 15' (42" Drum)</i> | | | \$ - | \$ 1,475.00 |
| 20' | LRI20101 20' Inline Landroller | L2050I | X3650 - 36" x 1/2" Drum (0.500") | \$ 300.00 | \$ 37,400.00 |
| | LRI20201 20' Inline Landroller | L2050I | X4263 - 42" x 5/8" Drum (0.625") | \$ 300.00 | \$ 38,700.00 |
| | LRI20301 20' Inline Landroller | L2050I | X4275 - 42" x 3/4" Drum (0.750") | \$ 300.00 | \$ 40,800.00 |
| | AA005017 <i>Mud Scraper Kit Option: 20' (36" Drum)</i> | | | \$ - | \$ 1,900.00 |
| | AA005021 <i>Mud Scraper Kit Option: 20' (42" Drum)</i> | | | \$ - | \$ 1,900.00 |
| OPTIONS | AA001090 Clevis Hitch Insert | | | \$ - | \$ 80.00 |
| | AA001089 Pintle Wedge Kit | | | \$ - | \$ 75.00 |
| | AA001001 Mechanical Acre Counter for 36" Drum | | | \$ - | \$ 325.00 |
| | AA001002 Mechanical Acre Counter for 42" Drum | | | \$ - | \$ 325.00 |
| | <i>Select a Colour:</i> | | | | |
| | Colour - B Colour: BLACK | | | | Included |
| Colour - G Colour: GREEN | | | | Included | |

***All Setup Charges are Required**

****All prices subject to applicable steel surcharge and taxes****

3-PLEX LANDROLLER

| | Product Description | Model | Drum Size | Net Setup* | Price |
|-----|---|-------|----------------------------------|------------|--------------|
| 30' | LR330101 30' 3-Plex Landroller | L3060 | X3650 - 36" x 1/2" Drum (0.500") | \$ 900.00 | \$ 67,400.00 |
| | LR330201 30' 3-Plex Landroller | L3060 | X4263 - 42" x 5/8" Drum (0.625") | \$ 900.00 | \$ 69,700.00 |
| | LR330301 30' 3-Plex Landroller | L3060 | X4275 - 42" x 3/4" Drum (0.750") | \$ 900.00 | \$ 73,400.00 |
| | AA005022 Mud Scraper Kit Option: 30' (36" Drum) | | | \$ - | \$ 2,935.00 |
| | AA005001 Mud Scraper Kit Option: 30' (42" Drum) | | | \$ - | \$ 2,935.00 |
| 34' | LR334101 34' 3-Plex Landroller | L3460 | X3650 - 36" x 1/2" Drum (0.500") | \$ 900.00 | \$ 69,800.00 |
| | LR334201 34' 3-Plex Landroller | L3460 | X4263 - 42" x 5/8" Drum (0.625") | \$ 900.00 | \$ 72,100.00 |
| | LR334301 34' 3-Plex Landroller | L3460 | X4275 - 42" x 3/4" Drum (0.750") | \$ 900.00 | \$ 76,000.00 |
| | AA005023 Mud Scraper Kit Option: 34' (36" Drum) | | | \$ - | \$ 3,540.00 |
| | AA005002 Mud Scraper Kit Option: 34' (42" Drum) | | | \$ - | \$ 3,540.00 |
| 40' | LR340101 40' 3-Plex Landroller | L4060 | X3650 - 36" x 1/2" Drum (0.500") | \$ 900.00 | \$ 79,800.00 |
| | LR340201 40' 3-Plex Landroller | L4060 | X4263 - 42" x 5/8" Drum (0.625") | \$ 900.00 | \$ 82,400.00 |
| | LR340301 40' 3-Plex Landroller | L4060 | X4275 - 42" x 3/4" Drum (0.750") | \$ 900.00 | \$ 86,900.00 |
| | AA005024 Mud Scraper Kit Option: 40' (36" Drum) | | | \$ - | \$ 3,640.00 |
| | AA005003 Mud Scraper Kit Option: 40' (42" Drum) | | | \$ - | \$ 3,640.00 |
| 42' | LR342101 42' 3-Plex Landroller | L4260 | X3650 - 36" x 1/2" Drum (0.500") | \$ 900.00 | \$ 81,000.00 |
| | LR342201 42' 3-Plex Landroller | L4260 | X4263 - 42" x 5/8" Drum (0.625") | \$ 900.00 | \$ 83,800.00 |
| | LR342301 42' 3-Plex Landroller | L4260 | X4275 - 42" x 3/4" Drum (0.750") | \$ 900.00 | \$ 88,300.00 |
| | AA005025 Mud Scraper Kit Option: 42' (36" Drum) | | | \$ - | \$ 4,220.00 |
| | AA005004 Mud Scraper Kit Option: 42' (42" Drum) | | | \$ - | \$ 4,220.00 |
| 45' | LR345101 45' 3-Plex Landroller | L4560 | X3650 - 36" x 1/2" Drum (0.500") | \$ 900.00 | \$ 83,100.00 |
| | LR345201 45' 3-Plex Landroller | L4560 | X4263 - 42" x 5/8" Drum (0.625") | \$ 900.00 | \$ 85,900.00 |
| | LR345301 45' 3-Plex Landroller | L4560 | X4275 - 42" x 3/4" Drum (0.750") | \$ 900.00 | \$ 90,500.00 |
| | AA005026 Mud Scraper Kit Option: 45' (36" Drum) | | | \$ - | \$ 4,280.00 |
| | AA005005 Mud Scraper Kit Option: 45' (42" Drum) | | | \$ - | \$ 4,280.00 |
| 50' | LR350101 50' 3-Plex Landroller | L5060 | X3650 - 36" x 1/2" Drum (0.500") | \$ 900.00 | \$ 86,300.00 |
| | LR350201 50' 3-Plex Landroller | L5060 | X4263 - 42" x 5/8" Drum (0.625") | \$ 900.00 | \$ 89,300.00 |
| | LR350301 50' 3-Plex Landroller | L5060 | X4275 - 42" x 3/4" Drum (0.750") | \$ 900.00 | \$ 94,100.00 |
| | AA005027 Mud Scraper Kit Option: 50' (36" Drum) | | | \$ - | \$ 4,895.00 |
| | AA005006 Mud Scraper Kit Option: 50' (42" Drum) | | | \$ - | \$ 4,895.00 |

*All Setup Charges are Required

All prices subject to applicable steel surcharge and taxes



3-PLEX LANDROLLER CONT'D

| | Product Description | Model | Drum Size | Net Setup* | Price |
|-------------------|--|-------|----------------------------------|------------|---------------|
| 60' | LR360101 60' 3-Plex Landroller | L6050 | X3650 - 36" x 1/2" Drum (0.500") | \$ 900.00 | \$ 103,600.00 |
| | LR360201 60' 3-Plex Landroller | L6050 | X4263 - 42" x 5/8" Drum (0.625") | \$ 900.00 | \$ 107,000.00 |
| | AA005034 Mud Scraper Kit Option: 60' (36" Drum) | | | \$ - | \$ 5,880.00 |
| | AA005042 Mud Scraper Kit Option: 60' (42" Drum) | | | \$ - | \$ 5,880.00 |
| 61' | LR361101 61' 3-Plex Landroller | L6150 | X3650 - 36" x 1/2" Drum (0.500") | \$ 900.00 | \$ 104,200.00 |
| | LR361201 61' 3-Plex Landroller | L6150 | X4263 - 42" x 5/8" Drum (0.625") | \$ 900.00 | \$ 107,800.00 |
| | AA005035 Mud Scraper Kit Option: 61' (36" Drum) | | | \$ - | \$ 5,980.00 |
| | AA005043 Mud Scraper Kit Option: 61' (42" Drum) | | | \$ - | \$ 5,980.00 |
| OPTIONS | AA001090 Clevis Hitch Insert | | | \$ - | \$ 80.00 |
| | AA001089 Pintle Wedge Kit | | | \$ - | \$ 75.00 |
| | AA006000 Pintle Hitch Kit: Category 5 | | | \$ - | \$ 625.00 |
| | AA001001 Mechanical Acre Counter for 36" Drum | | | \$ - | \$ 325.00 |
| | AA001002 Mechanical Acre Counter for 42" Drum | | | \$ - | \$ 325.00 |
| | KU100006 Implement Tire Upgrade (IF280/70R18) | | | \$ - | \$ 4,500.00 |
| | <i>Select a Colour:</i> | | | | |
| Colour - B | Colour: BLACK | | | | Included |
| Colour - G | Colour: GREEN | | | | Included |

***All Setup Charges are Required**

****All prices subject to applicable steel surcharge and taxes****



5-PLEX LANDROLLER

| | Product Description | Model | Drum Size | Net Setup* | Price |
|--------------------------|---|-------|----------------------------------|-------------|---------------|
| 62' | LR562201 62' 5-Plex Landroller | L6260 | X4263 - 42" x 5/8" Drum (0.625") | \$ 1,700.00 | \$ 123,000.00 |
| | AA005007 Mud Scraper Kit Option: 62' | | | \$ - | \$ 5,705.00 |
| 65' | LR565201 65' 5-Plex Landroller | L6560 | X4263 - 42" x 5/8" Drum (0.625") | \$ 1,700.00 | \$ 128,100.00 |
| | AA005008 Mud Scraper Kit Option: 65' | | | \$ - | \$ 6,315.00 |
| 70' | LR570201 70' 5-Plex Landroller | L7060 | X4263 - 42" x 5/8" Drum (0.625") | \$ 1,700.00 | \$ 134,300.00 |
| | AA005009 Mud Scraper Kit Option: 70' | | | \$ - | \$ 6,375.00 |
| 75' | LR575201 75' 5-Plex Landroller | L7560 | X4263 - 42" x 5/8" Drum (0.625") | \$ 1,700.00 | \$ 139,700.00 |
| | AA005010 Mud Scraper Kit Option: 75' | | | \$ - | \$ 7,040.00 |
| 80' | LR580201 80' 5-Plex Landroller | L8060 | X4263 - 42" x 5/8" Drum (0.625") | \$ 1,700.00 | \$ 145,000.00 |
| | AA005011 Mud Scraper Kit Option: 80' | | | \$ - | \$ 7,075.00 |
| 85' | LR585201 85' 5-Plex Landroller | L8560 | X4263 - 42" x 5/8" Drum (0.625") | \$ 1,700.00 | \$ 150,500.00 |
| | AA005012 Mud Scraper Kit Option: 85' | | | \$ - | \$ 7,105.00 |
| OPTIONS | AA001002 Mechanical Acre Counter for 42" Drum | | | \$ - | \$ 325.00 |
| | AA006000 Pintle Hitch Kit: Category 5 | | | \$ - | \$ 625.00 |
| | KU100019 Implement Tire Upgrade | | | \$ - | \$ 9,000.00 |
| | Select a Colour: | | | | |
| | Colour - B Colour: BLACK | | | | Included |
| Colour - G Colour: GREEN | | | | Included | |

***All Setup Charges are Required**

****All prices subject to applicable steel surcharge and taxes****

COVER CROP CRIMPER

| | Product Description | Model | Drum Size | Net Setup* | Price |
|-------------------|---|--------|----------------------------------|------------|---------------|
| WELD-ON | LRI15801 15' Inline CC Crimper | L1550I | CB36A - 36" x 1/2" Drum (0.500") | \$ 300.00 | \$ 38,800.00 |
| | LRI20801 20' Inline CC Crimper | L2050I | CB36A - 36" x 1/2" Drum (0.500") | \$ 300.00 | \$ 51,200.00 |
| | LR330801 30' 3-Plex CC Crimper | L3060 | CB36A - 36" x 1/2" Drum (0.500") | \$ 300.00 | \$ 77,500.00 |
| | LR332801 32' 3-Plex CC Crimper | L3260 | CB36A - 36" x 1/2" Drum (0.500") | \$ 300.00 | \$ 82,400.00 |
| | LR334801 34' 3-Plex CC Crimper | L3460 | CB36A - 36" x 1/2" Drum (0.500") | \$ 900.00 | \$ 85,300.00 |
| | LR340801 40' 3-Plex CC Crimper | L4060 | CB36A - 36" x 1/2" Drum (0.500") | \$ 900.00 | \$ 97,500.00 |
| BOLT-ON | LRI16601 16' Inline CC Crimper | L1650I | CB36B - 36" x 1/2" Drum (0.500") | \$ 300.00 | \$ 45,000.00 |
| | LRI20601 20' Inline CC Crimper | L2050I | CB36B - 36" x 1/2" Drum (0.500") | \$ 300.00 | \$ 56,600.00 |
| | LR334601 34' 3-Plex CC Crimper | L3460 | CB36B - 36" x 1/2" Drum (0.500") | \$ 900.00 | \$ 94,600.00 |
| | LR342601 42' 3-Plex CC Crimper | L4260 | CB36B - 36" x 1/2" Drum (0.500") | \$ 900.00 | \$ 112,400.00 |
| OPTIONS | AA001090 Clevis Hitch Insert | | | \$ - | \$ 80.00 |
| | AA001001 Mechanical Acre Counter for 36" Drum | | | \$ - | \$ 315.00 |
| | KU100006 Implement Tire Upgrade: IF280/70R15 (3-Plex Only) | | | \$ - | \$ 3,500.00 |
| | <i>Select a Colour:</i> | | | | |
| Colour - B | Colour: BLACK | | | | Included |
| Colour - G | Colour: GREEN | | | | Included |

***All Setup Charges are Required**

****All prices subject to applicable steel surcharge and taxes****



STUBBLE CRUNCHER

| | Product Description | Model | Drum Size | Net Setup* | Price |
|---------------------------------|--|--------|----------------------------------|------------|---------------|
| 15' | LRI15901 15' Inline Stubble Cruncher | L1550I | SB24B - 24" x 1/2" Drum (0.500") | \$ 300.00 | \$ 40,100.00 |
| 20' | LRI20901 20' Inline Stubble Cruncher | L2050I | SB24B - 24" x 1/2" Drum (0.500") | \$ 300.00 | \$ 52,700.00 |
| 40' | LR340901 40' 3-Plex Stubble Cruncher | L4060 | SB24B - 24" x 1/2" Drum (0.500") | \$ 900.00 | \$ 101,300.00 |
| 42' | LR342901 42' 3-Plex Stubble Cruncher | L4260 | SB24B - 24" x 1/2" Drum (0.500") | \$ 900.00 | \$ 104,400.00 |
| OPTIONS | AA001090 Clevis Hitch Insert | | | \$ - | \$ 80.00 |
| | AA001005 Mechanical Acre Counter for 32" Drum | | | \$ - | \$ 325.00 |
| | <i>Select a Colour:</i> | | | | |
| | Colour - B Colour: BLACK | | | | Included |
| Colour - G Colour: GREEN | | | | Included | |

***All Setup Charges are Required**

****All prices subject to applicable steel surcharge and taxes****



CHISEL FLEX

| | Product Description | Section | Model | Net Setup* | Price | |
|---|---|---------------|-------|-------------|---------------|----------|
| 38' | CF038100 38' Chisel Flex (Base Unit) | 3-Section | C3820 | \$ 1,800.00 | \$ 132,700.00 | |
| | CF338100 38' Chisel Flex w/ 3-Bar Tine Harrows | 3-Section | C3820 | \$ 1,800.00 | \$ 141,600.00 | |
| | CF438100 38' Chisel Flex w/ 4-Bar Tine Harrows | 3-Section | C3820 | \$ 1,800.00 | \$ 144,800.00 | |
| 40' | CF040100 40' Chisel Flex (Base Unit) | 3-Section | C4020 | \$ 1,800.00 | \$ 134,700.00 | |
| | CF340100 40' Chisel Flex w/ 3-Bar Tine Harrows | 3-Section | C4020 | \$ 1,800.00 | \$ 143,700.00 | |
| | CF440100 40' Chisel Flex w/ 4-Bar Tine Harrows | 3-Section | C4020 | \$ 1,800.00 | \$ 147,100.00 | |
| 42' | CF042100 42' Chisel Flex (Base Unit) | 3-Section | C4220 | \$ 1,800.00 | \$ 136,700.00 | |
| | CF342100 42' Chisel Flex w/ 3-Bar Tine Harrows | 3-Section | C4220 | \$ 1,800.00 | \$ 145,800.00 | |
| | CF442100 42' Chisel Flex w/ 4-Bar Tine Harrows | 3-Section | C4220 | \$ 1,800.00 | \$ 149,200.00 | |
| 46' | CF046100 46' Chisel Flex (Base Unit) | 5-Section | C4620 | \$ 1,800.00 | \$ 173,600.00 | |
| | CF346100 46' Chisel Flex w/ 3-Bar Tine Harrows | 5-Section | C4620 | \$ 1,800.00 | \$ 185,200.00 | |
| | CF446100 46' Chisel Flex w/ 4-Bar Tine Harrows | 5-Section | C4620 | \$ 1,800.00 | \$ 189,500.00 | |
| 50' | CF050100 50' Chisel Flex (Base Unit) | 5-Section | C5020 | \$ 1,800.00 | \$ 178,600.00 | |
| | CF350100 50' Chisel Flex w/ 3-Bar Tine Harrows | 5-Section | C5020 | \$ 1,800.00 | \$ 190,500.00 | |
| | CF450100 50' Chisel Flex w/ 4-Bar Tine Harrows | 5-Section | C5020 | \$ 1,800.00 | \$ 195,000.00 | |
| 55' | CF055100 55' Chisel Flex (Base Unit) | 5-Section | C5520 | \$ 1,800.00 | \$ 184,200.00 | |
| | CF355100 55' Chisel Flex w/ 3-Bar Tine Harrows | 5-Section | C5520 | \$ 1,800.00 | \$ 196,500.00 | |
| | CF455100 55' Chisel Flex w/ 4-Bar Tine Harrows | 5-Section | C5520 | \$ 1,800.00 | \$ 201,100.00 | |
| 59' | CF059100 59' Chisel Flex (Base Unit) | 5-Section | C5920 | \$ 1,800.00 | \$ 192,500.00 | |
| | CF359100 59' Chisel Flex w/ 3-Bar Tine Harrows | 5-Section | C5920 | \$ 1,800.00 | \$ 205,300.00 | |
| | CF459100 59' Chisel Flex w/ 4-Bar Tine Harrows | 5-Section | C5920 | \$ 1,800.00 | \$ 210,000.00 | |
| 65' | CF065100 65' Chisel Flex (Base Unit) | 5-Section | C6520 | \$ 1,800.00 | \$ 209,400.00 | |
| | CF365100 65' Chisel Flex w/ 3-Bar Tine Harrows | 5-Section | C6520 | \$ 1,800.00 | \$ 223,400.00 | |
| | CF465100 65' Chisel Flex w/ 4-Bar Tine Harrows | 5-Section | C6520 | \$ 1,800.00 | \$ 228,600.00 | |
| OPTIONS | AC003700 Bolt-on Rear Hitch: Chisel | | | \$ - | \$ 4,150.00 | |
| | AA006000 Pintle Hitch Kit: Category 5 | | | \$ - | \$ 625.00 | |
| | AA040000 Tire Mud Scraper Kit: 3-Section Chisel Flex (38' - 42') | | | \$ - | \$ 3,850.00 | |
| | AA040001 Tire Mud Scraper Kit: 5-Section Chisel Flex (46' - 65') | | | \$ - | \$ 5,350.00 | |
| | <i>Select a Colour:</i> | | | | | |
| | Colour - B | Colour: BLACK | | | | Included |
| Colour - G | Colour: GREEN | | | | Included | |
| Shovel Specifications: 2-Bolt 50 Degree (Not Included in Price) | | | | | | |

***All Setup Charges are Required**

****All prices subject to applicable steel surcharge and taxes****



STORM

| | Product Description | Model | Net Setup* | Price |
|---------------------------------|--|-------|-------------|---------------|
| 13' | ST013100 13' Euro Storm (Base Unit) | S1320 | \$ 1,800.00 | \$ 83,100.00 |
| | ST513100 13' Euro Storm w/ Flat Bar Baskets | S1320 | \$ 1,800.00 | \$ 88,500.00 |
| | ST213100 13' Euro Storm w/ 5-Row Tine Harrow | S1320 | \$ 1,800.00 | \$ 91,200.00 |
| | ST313100 13' Euro Storm w/ Flat Bar Baskets and 2-Row Tine Harrow | S1320 | \$ 1,800.00 | \$ 91,200.00 |
| 16' | ST016100 16' Euro Storm (Base Unit) | S1620 | \$ 1,800.00 | \$ 96,500.00 |
| | ST516100 16' Euro Storm w/ Flat Bar Baskets | S1620 | \$ 1,800.00 | \$ 102,800.00 |
| | ST216100 16' Euro Storm w/ 5-Row Tine Harrow | S1620 | \$ 1,800.00 | \$ 105,900.00 |
| | ST316100 16' Euro Storm w/ Flat Bar Baskets and 2-Row Tine Harrow | S1620 | \$ 1,800.00 | \$ 105,900.00 |
| 20' | ST020100 20' Euro Storm (Base Unit) | S2020 | \$ 1,800.00 | \$ 118,300.00 |
| | ST520100 20' Euro Storm w/ Flat Bar Baskets | S2020 | \$ 1,800.00 | \$ 125,900.00 |
| | ST220100 20' Euro Storm w/ 5-Row Tine Harrow | S2020 | \$ 1,800.00 | \$ 129,800.00 |
| | ST320100 20' Euro Storm w/ Flat Bar Baskets and 2-Row Tine Harrow | S2020 | \$ 1,800.00 | \$ 129,800.00 |
| 27' | ST027100 27' Storm (Base Unit) | S2730 | \$ 1,800.00 | \$ 156,700.00 |
| | ST527100 27' Storm w/ Flat Bar Baskets | S2730 | \$ 1,800.00 | \$ 167,000.00 |
| | ST227100 27' Storm w/ 5-Row Tine Harrow | S2730 | \$ 1,800.00 | \$ 172,100.00 |
| | ST327100 27' Storm w/ Flat Bar Baskets and 2-Row Tine Harrow | S2730 | \$ 1,800.00 | \$ 172,100.00 |
| | R9915012 22" Concave Blade Option (65 coulters) | | \$ - | \$ 1,300.00 |
| | R9915013 22" 13-Wave Blade Option (65 coulters) | | \$ - | \$ 1,300.00 |
| 33' | ST033100 33' Storm (Base Unit) | S3320 | \$ 1,800.00 | \$ 176,700.00 |
| | ST533100 33' Storm w/ Flat Bar Baskets | S3320 | \$ 1,800.00 | \$ 188,200.00 |
| | ST233100 33' Storm w/ 5-Row Tine Harrow | S3320 | \$ 1,800.00 | \$ 194,000.00 |
| | ST333100 33' Storm w/ Flat Bar Baskets and 2-Row Tine Harrow | S3320 | \$ 1,800.00 | \$ 194,000.00 |
| | R9915012 22" Concave Blade Option (81 coulters) | | \$ - | \$ 1,620.00 |
| | R9915013 22" 13-Wave Blade Option (81 coulters) | | \$ - | \$ 1,620.00 |
| 40' | ST040100 40' Storm (Base Unit) | S4020 | \$ 1,800.00 | \$ 199,900.00 |
| | ST540100 40' Storm w/ Flat Bar Baskets | S4020 | \$ 1,800.00 | \$ 212,900.00 |
| | ST240100 40' Storm w/ 5-Row Tine Harrow | S4020 | \$ 1,800.00 | \$ 219,400.00 |
| | ST340100 40' Storm w/ Flat Bar Baskets and 2-Row | S4020 | \$ 1,800.00 | \$ 219,400.00 |
| | R9915012 22" Concave Blade Option (97 coulters) | | \$ - | \$ 1,940.00 |
| | R9915013 22" 13-Wave Blade Option (97 coulters) | | \$ - | \$ 1,940.00 |
| OPTIONS | AC003622 Bolt-on Rear Hitch: Storm | | \$ - | \$ 2,750.00 |
| | AA001090 Clevis Hitch Insert (available on units 12' - 20') | | \$ - | \$ 80.00 |
| | AA006000 Pintle Hitch Kit: Category 5 | | \$ - | \$ 625.00 |
| | <i>Coulters: Pick One</i> | | | |
| | R9915001 20" 13-Wave Coulters | | | Included |
| | R9915008 20" Concave Coulters | | | Included |
| | <i>Select a Colour:</i> | | | |
| | Colour - B Colour: BLACK | | | Included |
| Colour - G Colour: GREEN | | | Included | |

*All Setup Charges are Required

All prices subject to applicable steel surcharge and taxes



FIELD SERGEANT

| | Product Description | Tine Option | Model | Net Setup* | Price |
|-----|--|---------------------|--------|------------|---------------|
| 52' | FS552200 52' Field Sergeant Heavy Harrow | 5-Bar with Carbides | HH5210 | \$ - | \$ 90,200.00 |
| 60' | FS560200 60' Field Sergeant Heavy Harrow | 5-Bar with Carbides | HH6010 | \$ - | \$ 97,800.00 |
| 72' | FS772200 72' Field Sergeant Heavy Harrow | 5-Bar with Carbides | HH7210 | \$ - | \$ 113,200.00 |
| 84' | FS784200 84' Field Sergeant Heavy Harrow | 5-Bar with Carbides | HH8410 | \$ - | \$ 124,700.00 |
| | Colour - G Colour: GREEN | | | | Included |

***All Setup Charges are Required**

****All prices subject to applicable steel surcharge and taxes****



TWISTER

| | Product Description | Model | Net Setup* | | Price |
|---------------------------------|--|-------|-------------|---------------|----------|
| 12' | TW012300 12' Euro Twister (Base Unit) | T1230 | \$ 1,800.00 | \$ 74,400.00 | |
| | TW212300 12' Euro Twister w/ 5-Row Tine Harrow | T1230 | \$ 1,800.00 | \$ 81,600.00 | |
| | TW312300 12' Euro Twister w/ Flat Bar Baskets and 2-Row Tine Harrow | T1230 | \$ 1,800.00 | \$ 81,600.00 | |
| 16' | TW016300 16' Euro Twister (Base Unit) | T1630 | \$ 1,800.00 | \$ 93,600.00 | |
| | TW216300 16' Euro Twister w/ 5-Row Tine Harrow | T1630 | \$ 1,800.00 | \$ 102,800.00 | |
| | TW316300 16' Euro Twister w/ Flat Bar Baskets and 2-Row Tine Harrow | T1630 | \$ 1,800.00 | \$ 102,800.00 | |
| 20' | TW020300 20' Euro Twister (Base Unit) | T2030 | \$ 1,800.00 | \$ 114,700.00 | |
| | TW220300 20' Euro Twister w/ 5-Row Tine Harrow | T2030 | \$ 1,800.00 | \$ 125,900.00 | |
| | TW320300 20' Euro Twister w/ Flat Bar Baskets and 2-Row Tine Harrow | T2030 | \$ 1,800.00 | \$ 125,900.00 | |
| 24' | TW024300 24' Twister (Base Unit) | T2430 | \$ 1,800.00 | \$ 140,200.00 | |
| | TW224300 24' Twister w/ 5-Row Tine Harrow | T2430 | \$ 1,800.00 | \$ 153,900.00 | |
| | TW324300 24' Twister w/ Flat Bar Baskets and 2-Row Tine Harrow | T2430 | \$ 1,800.00 | \$ 153,900.00 | |
| 28' | TW028300 28' Twister (Base Unit) | T2830 | \$ 1,800.00 | \$ 153,600.00 | |
| | TW228300 28' Twister w/ 5-Row Tine Harrow | T2830 | \$ 1,800.00 | \$ 168,600.00 | |
| | TW328300 28' Twister w/ Flat Bar Baskets and 2-Row Tine Harrow | T2830 | \$ 1,800.00 | \$ 168,600.00 | |
| 32' | TW032300 32' Twister (Base Unit) | T3230 | \$ 1,800.00 | \$ 167,000.00 | |
| | TW232300 32' Twister w/ 5-Row Tine Harrow | T3230 | \$ 1,800.00 | \$ 183,300.00 | |
| | TW332300 32' Twister w/ Flat Bar Baskets and 2-Row Tine Harrow | T3230 | \$ 1,800.00 | \$ 183,300.00 | |
| 36' | TW036300 36' Twister (Base Unit) | T3630 | \$ 1,800.00 | \$ 180,400.00 | |
| | TW236300 36' Twister w/ 5-Row Tine Harrow | T3630 | \$ 1,800.00 | \$ 198,000.00 | |
| | TW336300 36' Twister w/ Flat Bar Baskets and 2-Row Tine Harrow | T3630 | \$ 1,800.00 | \$ 198,000.00 | |
| 40' | TW040300 40' Twister (Base Unit) | T4030 | \$ 1,800.00 | \$ 193,800.00 | |
| | TW240300 40' Twister w/ 5-Row Tine Harrow | T4030 | \$ 1,800.00 | \$ 212,800.00 | |
| | TW340300 40' Twister w/ Flat Bar Baskets and 2-Row Tine Harrow | T4030 | \$ 1,800.00 | \$ 212,800.00 | |
| OPTIONS | R9915001 20" 13-Wave Coulter | | \$ - | Included | |
| | AA001090 Clevis Hitch Insert (available on units 12' - 20') | | \$ - | \$ 80.00 | |
| | AC003622 Bolt-on Rear Hitch: Twister (available on units 28' - 40') | | \$ - | \$ 2,750.00 | |
| | AA006000 Pintle Hitch Kit: Category 5 | | \$ - | \$ 625.00 | |
| | <i>Select a Colour:</i> | | | | |
| | Colour - B Colour: BLACK | | | | Included |
| Colour - G Colour: GREEN | | | | Included | |

***All Setup Charges are Required**

****All prices subject to applicable steel surcharge and taxes****

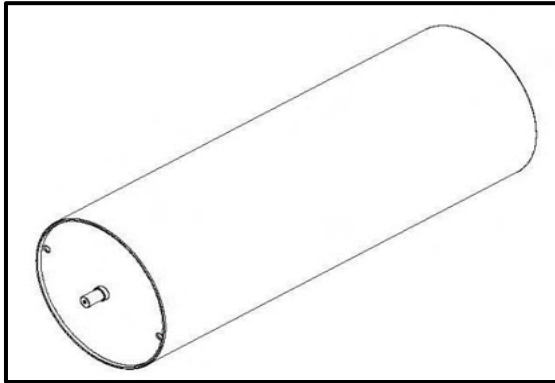


NOTES



DRUM STYLES

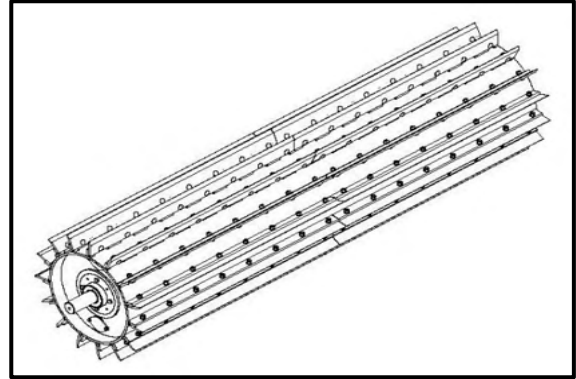
Smooth Drum



X-Style Drum (Smooth)

X3650 - 36" x 1/2" wall
X4263 - 42" x 5/8" wall
X4275 - 42" x 3/4" wall

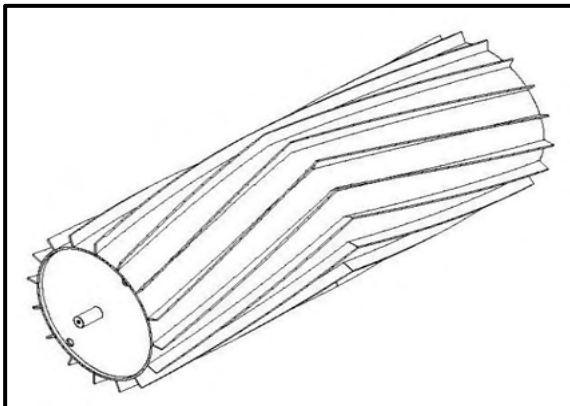
Straight Blade



SB-Style Drum (Straight Blade)

SB24B - 24" x 1/2" wall, Bolt-On, Bevelled

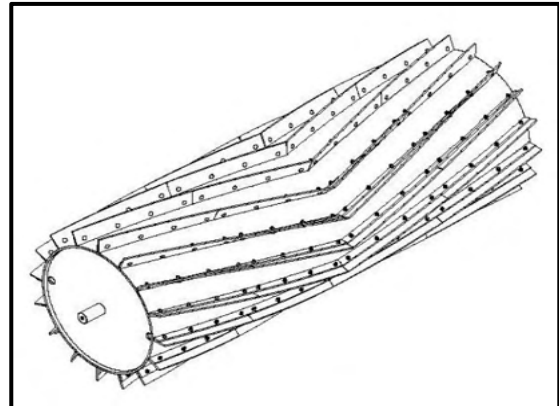
Curved Blade (Weld On)



CB-Style Drum (Curved Blade)

CB36A - 36" x 1/2" wall, Welded

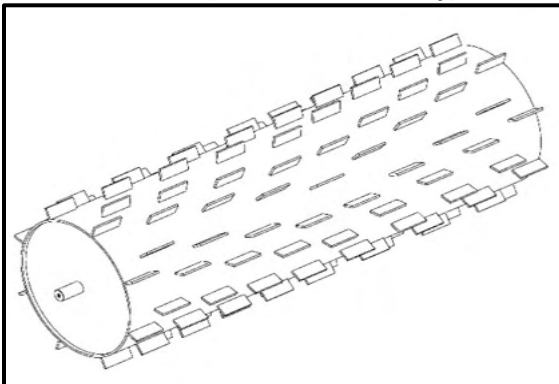
Curved Blade (Weld On)



CB-Style Drum (Curved Blade)

CB36B - 36" x 1/2" wall, Bolt-On, Non-Bevelled

Rice Drum (Custom Order Only)



RS-Style Drum (Rice Stubble)

RS36A - 36" x 1/2" wall, Welded

