

SPRAYERS & COMPONENTS 2025 CATALOG



TABLE OF CONTENTS

- 3. Information
- 6. Grass Guardian Sprayers
- 12. Li-Ion Powered
- 18. Handheld
- 20. Spot
- 26. ATV
- 28. Trailer
- 36. Skid
- 40. UTV
- 42. 3-Point
- 46. High Pressure
- 48. Specialty
- 52. Professional
- 54. Boom Mounting System
- 56. Booms
- 58. Everflo Pumps
- 60. Nozzles
- 62. Accessories
- 72. Bulk Tanks
- 73. Nozzle Charts
- 75. Sprayer Accessory PDQs





VALLEY INDUSTRIES

Originally started as a pressure gauge and accessory distributor, Valley Industries has grown and evolved in its role as a leader in the agricultural and industrial markets. Today, Valley Industries manufactures and distributes thousands of products, across several categories and brands, that continue to set the bar in performance and quality.

MASTER MANUFACTURING

In 2006, Valley Industries acquired Master Manufacturing. Starting off with a handful of spot sprayers, Master Manufacturing has grown to encompass a wide range of spot & broadcast sprayers that can be used across lawn & garden or agricultural spraying applications.

MASTER MFG CAPABILITIES

- Internal engineering team that develops new concepts and solutions.
- Blow mold tank designs up to 60 gallons with integrated robotic processes.
- Equipped with lasers, press brake and welding stations for custom components.
- Complete domestic assembly and packaging, run on multiple lines.
- Private label program for both in-store and e-commerce channels.

ABOUT US



SPRAYER BASICS

All Master Manufacturing Spot & Broadcast Sprayers are built on a key set of rugged and durable features that last season after season. See some of standard features you can find on Master Manufacturing Sprayers!

ADDITIONAL FEATURES

- DRAIN PORT WITH TETHERED CAP & GASKET
- 12-VOLT WIRE HARNESS WITH ALLIGATOR CLAMPS
- GUN CLIPS FOR SPRAY GUN STORAGE
- EZ-GRIP CARRY HANDLES MOLDED INTO TANK
- THREADED INSERTS IN STANDARD MOUNTING PATTERN

LID

6" TANK LID WITH TETHER FOR EASY FILLING.

INLINE STRAINER

CLEAR BOWL INLINE STRAINER TO PREVENT PUMP DEBRIS.

PUMP

12-VOLT ON-DEMAND EVERFLO DIAPHRAGM PUMP FOR FAST PRIMES.

TANK

EXTRA-THICK TRANSLUCENT WALLS THAT ARE CHEMICAL AND UV RESISTANT.

SPRAY GUN

SPRAY GUN WITH ADJUSTABLE NOZZLE THAT GOES FROM STEADY STREAM TO MIST.

HOSE

15 FEET OF 3/8" RUBBER HOSE FOR MORE REACH.



SPRAYER BASICS

PRESSURE GAUGE

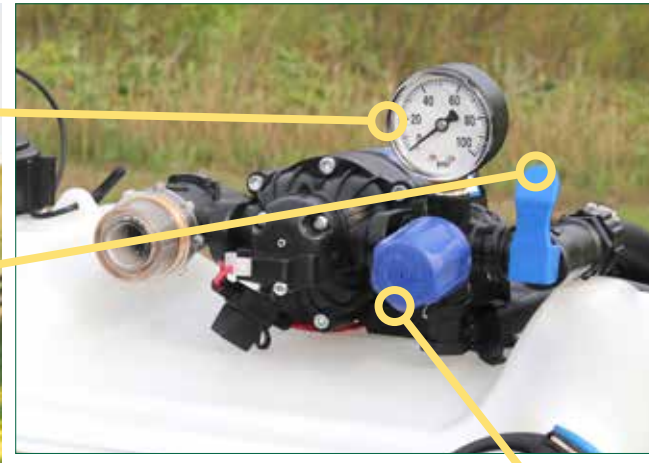
HELPS YOU DIAL IN THE PERFECT PRESSURE FOR ANY APPLICATION.

BOOM SHUT-OFF

EASY TO REACH SHUT-OFF VALVE FOR COMPLETE BOOM CONTROL.

HOSE STRAP

HOOK & LOOP STRAP KEEPS HOSE ORGANIZED AND OUT OF THE WAY.



PRESSURE REGULATOR

ADJUST YOUR SYSTEM'S PRESSURE WITH A SIMPLE TWIST OF THE KNOB.

SPRAY BOOM

AVAILABLE IN A VARIETY OF SIZES, SPRAY PATTERNS, SPACING OPTIONS, AND NOZZLE STYLES.

MOUNT OR TRAILER

WE OFFER VARIETY OF MOUNTING SYSTEMS, FROM ATVS TO 3-POINTS AND TRAILERS, TO FIT ANY NEED.

SPRAYER: S30-51-040D-MM

* MASTER MANUFACTURING SPRAYERS COME WITH A 2-YEAR LIMITED WARRANTY ON MANUFACTURING DEFECTS IN PUMP & COMPONENTS.

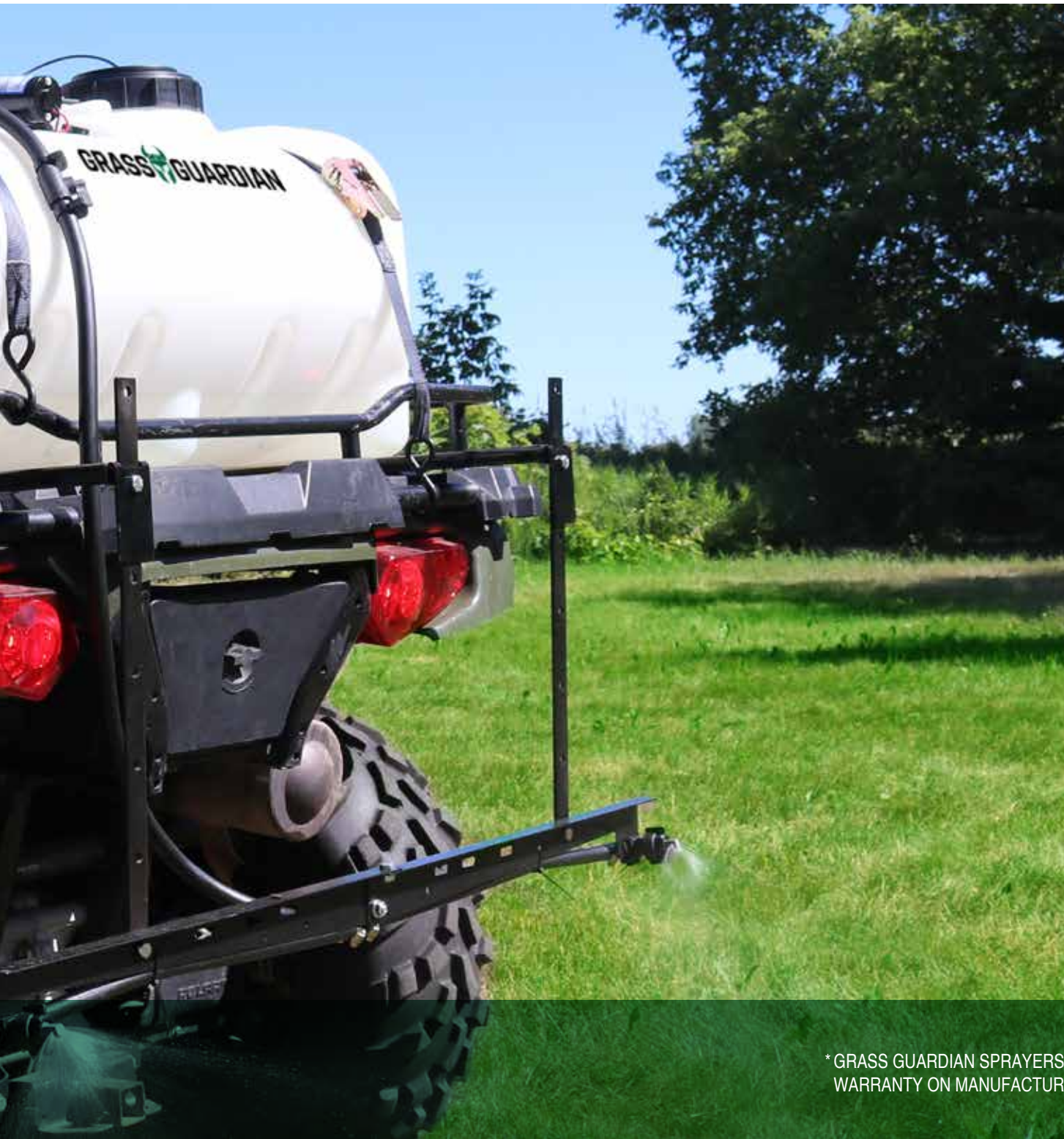
ATV SPRAYERS 15/25 GALLON



GRASS GUARDIAN



	Part #	Pump	Boom	Swath	Capacity	Carton Size	Weight	UPC	Pallet Qty	UPS Ship	Freight Class
15/25 GALLON	EAI-11-015A-GG	Everflo 1.1 GPM	Dual Deflector Nozzles	7'	15 Gal	35" x 17" x 15"	27 lbs	810044042573	18	Yes	150
	EAI-11-025A-GG	Everflo 1.1 GPM	Dual Deflector Nozzles	7'	25 Gal	36" x 19" x 19"	34 lbs	810044042580	15	Yes	150



FEATURED SPRAYER



EAI-11-025A-GG

FEATURES

- ADJUSTABLE SPRAY GUN
- INLINE BOOM SHUT-OFF VALVE
- 1.1 GPM EVERFLO 12 VOLT DIAPHRAGM PUMP
- 15 FEET OF RUBBER HOSE TO SPRAY GUN
- 2 QUICK ATTACH DEFLECTOR NOZZLES
- ALL-STEEL ATV AND BOOM MOUNTING KIT
- INCLUDES 12 VOLT WIRE HARNESS WITH CLAMPS

PERFORMANCE

- UP TO 15' VERTICAL AND 25' HORIZONTAL SPOT SPRAY
- UP TO 2 ACRE COVERAGE WITH 7' SPRAY SWATH
- ON-DEMAND PUMP GENERATES 40 PSI

* GRASS GUARDIAN SPRAYERS COME WITH A 1-YEAR LIMITED WARRANTY ON MANUFACTURING DEFECTS IN PUMP & COMPONENTS.

TRAILER SPRAYERS 15/25 GALLON

GRASS  **GUARDIAN**





FEATURED SPRAYER



ETI-11-025A-GG

FEATURES

- ADJUSTABLE SPRAY GUN
- INLINE BOOM SHUT-OFF VALVE
- 1.1 GPM EVERFLO 12 VOLT DIAPHRAGM PUMP
- 15 FEET OF RUBBER HOSE TO SPRAY GUN
- 2 QUICK ATTACH DEFLECTOR NOZZLES
- ALL-STEEL INTEGRATED TRAILER FRAME
- 10" HEAVY-DUTY PNEUMATIC TIRES
- INCLUDES 12 VOLT WIRE HARNESS WITH CLAMPS

PERFORMANCE

- UP TO 15' VERTICAL AND 25' HORIZONTAL SPOT SPRAY
- UP TO 2 ACRE COVERAGE WITH 7' SPRAY SWATH
- ON-DEMAND PUMP GENERATES 40 PSI

15/25 GALLON	Part #	Pump	Boom	Swath	Capacity	Carton Size	Weight	UPC	Pallet Qty	UPS Ship	Freight Class
	ETI-11-015A-GG	Everflo 1.1 GPM	Dual Deflector Nozzles	7'	15 Gal	42" x 18" x 15"	50 lbs	810044042597	12	Yes	150
	ETI-11-025A-GG	Everflo 1.1 GPM	Dual Deflector Nozzles	7'	25 Gal	42" x 19" x 15"	55 lbs	810044042603	10	Yes	150

UTV SPRAYER 40 GALLON

GRASS  GUARDIAN





FEATURED SPRAYER



EUO-F1-040A-GG

FEATURES

- ADJUSTABLE SPRAY GUN
- PRESSURE REGULATOR & BOOM SHUT-OFF VALVE
- 100 PSI DRY PRESSURE GAUGE
- HORIZONTALLY FOLDING ALL-STEEL BOOM
- 3 QUICK ATTACH DEFLECTOR NOZZLES
- ALL-STEEL, OVER-GATE BOOM MOUNTING ARMS
- 2.2 GPM EVERFLO 12 VOLT DIAPHRAGM PUMP
- 15 FEET OF RUBBER HOSE TO SPRAY GUN
- INCLUDES 12 VOLT WIRE HARNESS WITH SWITCH

PERFORMANCE

- UP TO 25' VERTICAL AND 30' HORIZONTAL SPOT SPRAY
- UP TO 3 ACRE COVERAGE WITH 10' SPRAY SWATH
- ON-DEMAND PUMP GENERATES 70 PSI

**40
GALLON**

Part #	Pump	Boom	Swath	Capacity	Carton Size	Weight	UPC	Pallet Qty	UPS Ship	Freight Class
EUO-F1-040A-GG	Everflo 2.2 GPM	Folding, 3 Deflector Nozzles	10'	40 Gal	37" x 24.5" x 21"	43 lbs	810044042634	6	No	150

LITHIUM-ION BATTERY CONVERSION 1.0 GPM

REVOLT LITHIUM-ION
BATTERY POWERED

14
VOLT

Part #	Carton Size	Weight	UPC	Master Carton Qty	Pallet Qty	UPS Shippable	Freight Class
REVOLT-144-1	8" x 7.75" x 4"	2.5 lbs	816403009744	4	N/A	Yes	150



FEATURED PRODUCT



REVOLT-144-1

FEATURES

- NO WIRES OR VEHICLE BATTERY NEEDED
- CONVERSION KIT FOR 1.0 GPM SPOT SPRAYERS
- 14.4 VOLT BATTERY PACK INCLUDED
- STEEL POWDER COATED WEATHER SHIELD
- TOP-MOUNTED, LIGHTED ON/OFF SWITCH
- BATTERY CHARGER INCLUDED

PERFORMANCE

- UP TO 30 GALLONS ON SINGLE CHARGE
- APPROXIMATE 2 HR CHARGE TIME

15
GALLON

Part #	Pump	Spray Gun	Carton Size	Weight	UPC	Pallet Qty	UPS Shippable	Freight Class
SSN-01-015A-RM*	1.0 GPM Everflo	Adjustable	34" x 17" x 15"	15 lbs	810044040920	18	Yes	150

*Spot Sprayer with Rechargeable Revolt Lithium-Ion Battery Conversion Kit.

BACKPACK SPRAYERS 4 GALLON



BPS-405

REVOLT LITHIUM-ION
BATTERY POWERED





FEATURED SPRAYER



BPS-REV401

FEATURES

- ADJUSTABLE SPRAY GUN
- 14.4 VOLT BATTERY PACK INCLUDED
- 1.0 GPM EVERFLO 12 VOLT DIAPHRAGM PUMP
- 5 FEET OF NYLON HOSE TO SPRAY GUN
- LIGHTED POWER INDICATOR
- ENCLOSED BATTERY COMPARTMENT
- BATTERY CHARGER INCLUDED
- ADJUSTABLE SHOULDER STRAPS

PERFORMANCE

- UP TO 30 GALLONS ON SINGLE CHARGE
- UP TO 18' VERTICAL & 20' HORIZONTAL SPOT SPRAY
- ON-DEMAND PUMP GENERATES 40 PSI
- APPROXIMATE 4 HOUR CHARGE TIME

4 GALLON	Part #	Pump	Spray Gun	Carton Size	Weight	UPC	Master Carton Qty	Pallet Qty	UPS Shippable	Freight Class
	BPS-REV401*	1.0 GPM Everflo	Adjustable	13.75" x 9.8" x 20.45"	10 lbs	810044040944	4	48	Yes	150
BPS-405^	Lever Hand Pump	Adjustable	15.6" x 9.3" x 23.6"	10 lbs	816403006842	4	36	Yes	150	

*Rechargeable Revolt Lithium-Ion Battery Powered. ^Manual pumping backpack sprayer. Includes 4 spray tips and repair kit.

MASTER GARDENER 9 GALLON

REVOLT LITHIUM-ION
BATTERY POWERED



FEATURED SPRAYER



PCD-E3-009B-MM

FEATURES

- ADJUSTABLE SPRAY GUN
- HOSE HOOKS ON ADJUSTABLE HANDLE
- 14.4 VOLT BATTERY PACK INCLUDED
- 1.0 GPM EVERFLO 12 VOLT DIAPHRAGM PUMP
- NEVER FLAT POLYMER WHEELS
- 10 FOOT NYLON HOSE TO SPRAY GUN
- LIGHTED POWER INDICATOR
- BATTERY CHARGER INCLUDED

PERFORMANCE

- UP TO 30 GALLONS ON SINGLE CHARGE
- 50" COVERAGE SWATH WITH REAR NOZZLE
- UP TO 18' VERTICAL & 20' HORIZONTAL SPOT SPRAY
- ON-DEMAND PUMP GENERATES 40 PSI
- APPROXIMATE 4 HOUR CHARGE TIME



9 GALLON	Part #	Swath	Pump	Spray Gun	Carton Size	Weight	UPC	Pallet Qty	UPS Shippable	Freight Class
	PCD-E3-009B-MM	50"	1.0 GPM Everflo	Adjustable	26" x 18" x 21"	40 lbs	814485010481	16	Yes	150

HANDHELD SPRAYERS

1.2-8.0 LITER



90700012

90700002



1-2 LITER	Part #	Spray Tip	Capacity	Carton Size	Weight	UPC	Master Carton Qty	Pallet Qty	UPS Shippable	Freight Class
	90700012	Adjustable	1.2 Liter (.32 Gallon)	8" x 5" x 11"	1 lbs	816403005531	15	375	Yes	150
90700002	Adjustable	2.0 Liter (.51 Gallon)	7" x 7" x 16"	1.5 lbs	814485019989	15	375	Yes	150	



FEATURED SPRAYERS



90700065 / 90700008

FEATURES

- ADJUSTABLE SPRAY GUN
- HAND PUMP BUILT INTO LID
- ERGONOMIC HANDLE W/ TRIGGER LOCK
- ADJUSTABLE SHOULDER STRAPS
- LARGE FILL MOUTH

PERFORMANCE

LOW VOLUME SPOT SPRAYING

Part #	Spray Gun	Capacity	Carton Size	Weight	UPC	Master Carton Qty	Pallet Qty	UPS Shippable	Freight Class
90700065	Adjustable	6.5 Liter (1.7 Gallon)	7" x 7" x 19"	3 lbs	816403005548	6	90	Yes	150
90700008	Adjustable	8.0 Liter (2.1 Gallon)	7" x 7" x 22"	3 lbs	816403005524	6	90	Yes	150

**6-8
LITER**

SPOT SPRAYERS

9/11 GALLON



SSD-03-009B-MM



REVOLT LITHIUM-ION
BATTERY POWERED

9 GALLON	Part #	Pump	Spray Gun	Carton Size	Weight	UPC	Pallet Qty	UPS Shippable	Freight Class
	SSD-03-009B-MM	Everflo 1.0 GPM	Adjustable	19" x 15" x 17"	13 lbs	814485010498	30	Yes	150



FEATURED SPRAYER



SSN-06-011Q-RM

FEATURES

- ADJUSTABLE SPRAY GUN
- HOOK & LOOP HOSE ORGANIZING STRAP
- 1.0 GPM EVERFLO 12 VOLT DIAPHRAGM PUMP
- 14.4 VOLT BATTERY PACK INCLUDED
- 10 FEET OF PVC HOSE TO SPRAY GUN
- REAR-FACING DRAIN WITH CAP
- BATTERY CHARGER INCLUDED
- COMPACT DESIGN FOR UTILITY CARTS

PERFORMANCE

- UP TO 30 GALLONS ON SINGLE CHARGE
- UP TO 18' VERTICAL AND 20' HORIZONTAL SPOT SPRAY
- ON-DEMAND PUMP GENERATES 40 PSI
- APPROXIMATE 2 HOUR CHARGE TIME

11 GALLON	Part #	Pump	Spray Gun	Carton Size	Weight	UPC	Pallet Qty	UPS Shippable	Freight Class
	SSN-06-011Q-MM	Everflo 1.0 GPM	Adjustable	24" x 14.75" x 11.625"	11 lbs	810044042139	44	Yes	150
	SSN-06-011Q-MM-12^	Everflo 1.0 GPM	Adjustable	42.5" x 24" x 48"	112 lbs	50810044040598	48	No	150
	SSN-06-011Q-RM*	Everflo 1.0 GPM	Adjustable	24" x 14.75" x 11.625"	12 lbs	810044042665	44	Yes	150

^12-Pack Quarter Pallet Gaylord Box. *Rechargeable Revolt Lithium-Ion Battery Powered.

SPOT SPRAYERS

15/25 GALLON



	Part #	Pump	Spray Gun	Carton Size	Weight	UPC	Pallet Qty	UPS Shippable	Freight Class
15 GALLON	SSN-06-015A-MM-9^	Everflo 1.0 GPM	Adjustable	51" x 40" x 95"	155 lbs	70814485013481	18	No	150
	SSN-01-015A-MM	Everflo 1.0 GPM	Adjustable	34" x 17" x 15"	15 lbs	814485011143	18	Yes	150
	SSO-01-015A-MM	Everflo 2.2 GPM	Adjustable	34" x 17" x 15"	20 lbs	814485010801	18	Yes	150
	SSO-01-015D-MM	Everflo 2.2 GPM	Deluxe Adjustable	34" x 17" x 15"	20 lbs	814485010818	18	Yes	150

^ 9-Pack Pallet Gaylord Box



FEATURED SPRAYER



SSO-01-025D-MM

FEATURES

- DELUXE ADJUSTABLE SPRAY GUN
- HOOK & LOOP HOSE ORGANIZING STRAP
- QUICK ATTACH INLINE STRAINER

DELUXE
FEATURES

- 2.2 GPM EVERFLO 12 VOLT DIAPHRAGM PUMP
- 15 FEET OF RUBBER HOSE TO SPRAY GUN
- INCLUDES 12 VOLT WIRE HARNESS WITH CLAMPS
- FITS MOST MANUFACTURER'S ATV RACKS

PERFORMANCE

- UP TO 25' VERTICAL AND 30' HORIZONTAL SPOT SPRAY
- ON-DEMAND PUMP GENERATES 70 PSI

	Part #	Pump	Spray Gun	Carton Size	Weight	UPC	Pallet Qty	UPS Shippable	Freight Class
25 GALLON	SSN-01-025A-MM	Everflo 1.0 GPM	Adjustable	36" x 19" x 19"	25 lbs	814485011655	15	Yes	150
	SSO-01-025A-MM	Everflo 2.2 GPM	Adjustable	36" x 19" x 19"	25 lbs	814485010825	15	Yes	150
	SSO-01-025D-MM	Everflo 2.2 GPM	Deluxe Adjustable	36" x 19" x 19"	25 lbs	814485010832	15	Yes	150

SPOT SPRAYERS

40/60 GALLON



	Part #	Pump	Spray Gun	Carton Size	Weight	UPC	Pallet Qty	UPS Shippable	Freight Class
40 GALLON	SSO-01-040A-MM	Everflo 2.2 GPM	Adjustable	37" x 24.5" x 21"	30 lbs	814485010849	8	Yes	150
	SSO-01-040D-MM	Everflo 2.2 GPM	Deluxe Adjustable	37" x 24.5" x 21"	30 lbs	814485010856	8	Yes	150
	SSP-01-040D-MM*	Everflo 3.0 GPM	Deluxe Adjustable	37" x 24.5" x 21"	30 lbs	810044043792	8	Yes	150

*Ships Boom-Ready with Variable Pressure Regulator and Boom Shut-Off Valve.



FEATURED SPRAYER



SSO-01-040D-MM

FEATURES

- DELUXE ADJUSTABLE SPRAY GUN
- HOOK & LOOP HOSE ORGANIZING STRAP
- QUICK ATTACH INLINE STRAINER
- 2.2 GPM EVERFLO 12 VOLT DIAPHRAGM PUMP
- 15 FEET OF RUBBER HOSE TO SPRAY GUN
- INCLUDES 12 VOLT WIRE HARNESS WITH CLAMPS

DELUXE
FEATURES

PERFORMANCE

UP TO 25' VERTICAL AND 30' HORIZONTAL SPOT SPRAY
ON-DEMAND PUMP GENERATES 70 PSI

60 GALLON	Part #	Pump	Spray Gun	Carton Size	Weight	UPC	Pallet Qty	UPS Shippable	Freight Class
	SSO-01-060A-MM	Everflo 2.2 GPM	Adjustable	37" x 24.5" x 27"	35 lbs	814485010863	8	Yes	150
SSO-01-060D-MM	Everflo 2.2 GPM	Deluxe Adjustable	37" x 24.5" x 27"	35 lbs	814485010870	8	Yes	150	

ATV SPRAYERS

15/25 GALLON



15
GALLON

Part #	Pump	Spray Gun	Spray Boom	Swath	Carton Size	Weight	UPC	Pallet Qty	UPS Shippable	Freight Class
SAO-11-015A-MM	Everflo 2.2 GPM	Adjustable	Dual Deflector Nozzle	7'	42" x 18" x 15"	35 lbs	814485013901	12	Yes	150
SAO-H3-015B-MM	Everflo 2.2 GPM	Adjustable	Single Boomless Nozzle	16'	34" x 17" x 15"	21 lbs	814485013970	18	Yes	150



FEATURED SPRAYER



SAO-51-025D-MM

FEATURES

- DELUXE ADJUSTABLE SPRAY GUN
- HOOK & LOOP HOSE ORGANIZING STRAP
- QUICK ATTACH INLINE STRAINER
- ALL-STEEL, HORIZONTALLY FOLDING BOOM
- 6 NO-DRIP, QUICK ATTACH FAN NOZZLES

DELUXE
FEATURES

- ADJUSTABLE ATV MOUNT AND BRACKETS
- REGULATOR WITH BOOM SHUT-OFF VALVE
- 100 PSI DRY PRESSURE GAUGE
- 2.2 GPM EVERFLO 12 VOLT DIAPHRAGM PUMP
- 15 FEET OF RUBBER HOSE TO SPRAY GUN
- 12 VOLT WIRE HARNESS WITH SWITCH
- INCLUDES TWO RATCHET MOUNTING STRAPS

PERFORMANCE

- UP TO 25' VERTICAL AND 30' HORIZONTAL SPOT SPRAY
- UP TO 2 ACRE COVERAGE WITH 10' SPRAY SWATH
- ON-DEMAND PUMP GENERATES 70 PSI

25 GALLON	Part #	Pump	Spray Gun	Spray Boom	Swath	Carton Size	Weight	UPC	Pallet Qty	UPS Shippable	Freight Class
	SAO-11-025A-MM	Everflo 2.2 GPM	Adjustable	Dual Deflector Nozzles	7'	36" x 19" x 19"	50 lbs	814485013932	10	Yes	150
SAO-51-025A-MM	Everflo 2.2 GPM	Adjustable	Folding, 6 Flat Fan Nozzles	10'	45" x 18.75" x 15.50	50 lbs	816403009942	10	Yes	150	
SAO-51-025D-MM	Everflo 2.2 GPM	Deluxe Adjustable	Folding, 6 Flat Fan Nozzles	10'	45" x 18.75" x 15.50	50 lbs	816403009942	10	Yes	150	
SAO-H3-025B-MM	Everflo 2.2 GPM	Adjustable	Single Boomless Nozzle	16'	36" x 19" x 19"	35 lbs	814485015691	15	Yes	150	
SAP-G1-025D-MM	Everflo 3.0 GPM	Deluxe Adjustable	Dual Boomless + Deflector	30'	36" x 19" x 19"	35 lbs	814485019996	15	Yes	150	
SAP-Y1-025D-MM	Everflo 3.0 GPM	Deluxe Adjustable	2 in 1 Precision & Broadcast	30'	45" x 18.75" x 18"	40 lbs	810044041644	10	Yes	150	

TRAILER SPRAYERS 12 GALLON

REVOLT LITHIUM-ION BATTERY
OPTION AVAILABLE

12
GALLON

Part #	Pump	Spray Gun	Swath	Carton Size	Weight	UPC	Pallet Qty	UPS Shippable	Freight Class
SL6-46-012Q-MM	1.1 GPM Everflo	Adjustable	84"	24" x 20" x 15"	32 lbs	810044040517	24	Yes	150
SL6-46-012Q-RM*	1.1 GPM Everflo	Adjustable	84"	24" x 20" x 15"	32 lbs	810044040937	24	Yes	150

*Rechargeable Revolt Lithium-Ion Battery Powered.



FEATURED SPRAYER



SL6-46-012Q-MM

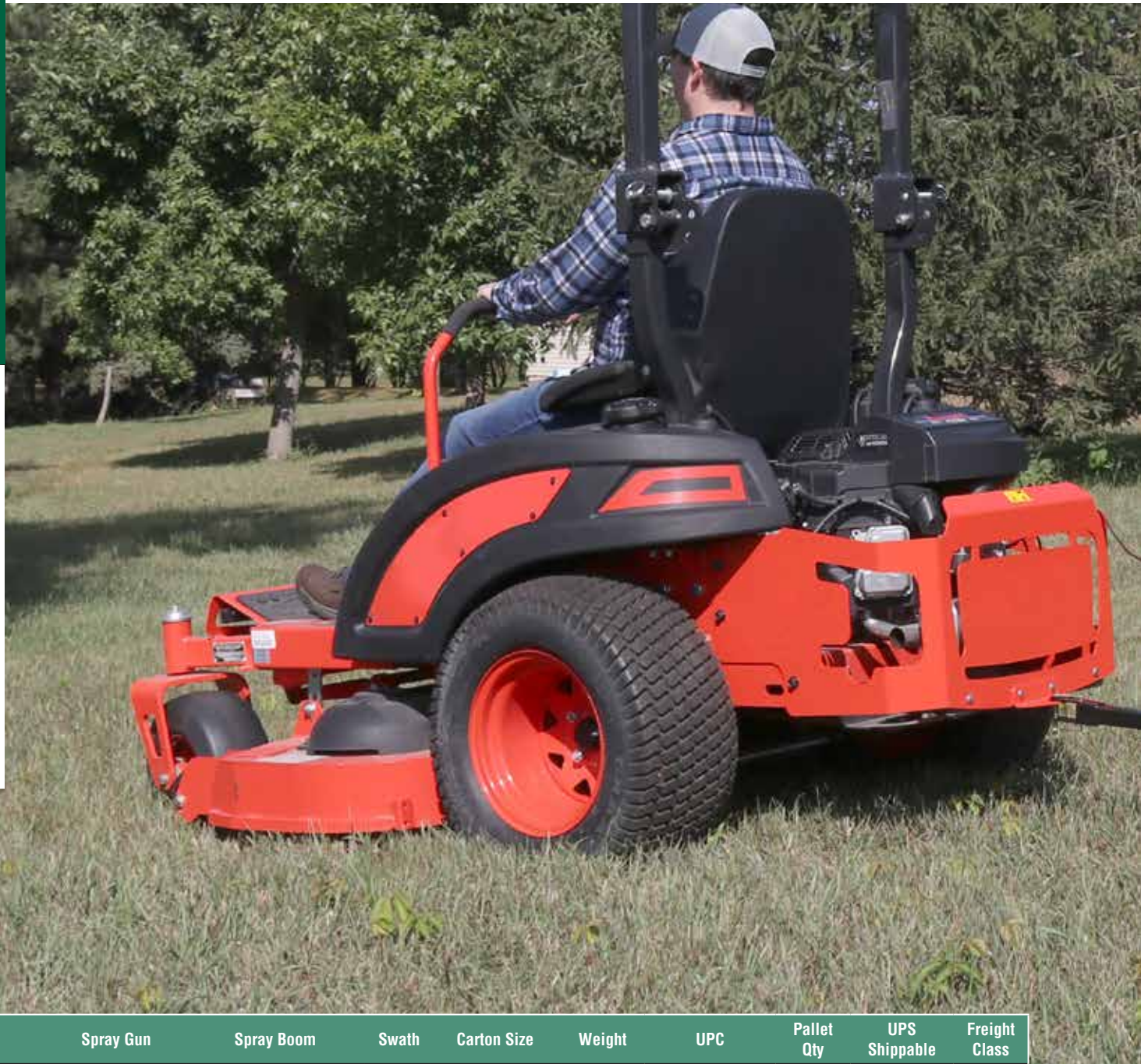
FEATURES

- ADJUSTABLE SPRAY GUN
- 1.1 GPM EVERFLO 12 VOLT DIAPHRAGM PUMP
- 15 FEET OF PVC HOSE TO SPRAY GUN
- HOOK & LOOP HOSE ORGANIZING STRAP
- ALL-STEEL, POWDER COATED FRAME
- FOLDING TONGUE FOR COMPACT STORAGE
- TONGUE HOOK FOR EASY WALL HANGING
- SINGLE REAR FACING DEFLECTOR NOZZLE
- FOAM FILLED, NEVER FLAT TIRES
- 12 VOLT WIRE HARNESS WITH SWITCH

PERFORMANCE

- UP TO 15' VERTICAL AND 20' HORIZONTAL SPOT SPRAY
- UP TO 25K SQFT COVERAGE WITH 84" SPRAY SWATH
- ON-DEMAND PUMP GENERATES 40 PSI

TRAILER SPRAYERS 24/36 GALLON



SLP-51-036D-MM

24
GALLON

Part #	Pump	Spray Gun	Spray Boom	Swath	Carton Size	Weight	UPC	Pallet Qty	UPS Shippable	Freight Class
SLO-41-024D-MM	2.2 GPM Everflo	Deluxe Adjustable	Folding, 4 Flat Fan Nozzles	7'	48" x 20" x 15"	58 lbs	810044041835	12	No	150



FEATURED SPRAYER



SLO-41-024D-MM

FEATURES

- DELUXE ADJUSTABLE SPRAY GUN
- HOOK & LOOP HOSE ORGANIZING STRAP
- QUICK ATTACH INLINE STRAINER
- ALL-STEEL, HORIZONTALLY FOLDING BOOM
- 4 NO-DRIP, QUICK ATTACH FAN NOZZLES
- 2.2 GPM EVERFLO 12 VOLT DIAPHRAGM PUMP
- 13" HEAVY-DUTY PNEUMATIC TIRES

DELUXE
FEATURES

- REGULATOR WITH BOOM SHUT-OFF VALVE
- 100 PSI DRY PRESSURE GAUGE
- ALL-STEEL FRAME & RETRACTABLE TONGUE
- 15 FEET OF RUBBER HOSE TO SPRAY GUN
- 12 VOLT WIRE HARNESS WITH SWITCH

PERFORMANCE

- UP TO 25' VERTICAL AND 30' HORIZONTAL SPOT SPRAY
- UP TO 2 ACRE COVERAGE WITH 7' SPRAY SWATH
- ON-DEMAND PUMP GENERATES 70 PSI

36 GALLON	Part #	Pump	Spray Gun	Spray Boom	Swath	Carton Size	Weight	UPC	Pallet Qty	UPS Shippable	Freight Class
		SLP-51-036D-MM	3.0 GPM Everflo	Deluxe Adjustable	Folding, 6 Flat Fan Nozzles	10'	48" x 20" x 24"	85 lbs	810044041842	6	No

TRAILER SPRAYERS 60 GALLON



	Part #	Pump	Spray Gun	Spray Boom	Swath	Carton Size	Weight	UPC	Pallet Qty	UPS Ship	Freight Class
60 GALLON	SLO-F1-060D-MM	2.2 GPM Everflo	Deluxe Adjustable	Folding, 3 Deflector Nozzles	10'	41.25" x 25.25" x 37"	115 lbs	810044043754	4	No	150
	SLP-Y1-060D-MM	3.0 GPM Everflo	Deluxe Adjustable	2 in 1 Precision & Broadcast	30'	41.25" x 25.25" x 37"	130 lbs	810044043761	4	No	150



FEATURED SPRAYER



SLP-Y1-060D-MM

FEATURES

- DELUXE ADJUSTABLE SPRAY GUN
- HOOK & LOOP HOSE ORGANIZING STRAP
- QUICK ATTACH INLINE STRAINER
- ALL-STEEL, PRECISION & BROADCAST BOOM
- 3 FLAT FAN NOZZLES OR 2 BOOMLESS NOZZLES
- 3.0 GPM EVERFLO 12 VOLT DIAPHRAGM PUMP
- 16" HEAVY-DUTY PNEUMATIC TIRES
- REGULATOR WITH BOOM SHUT-OFF VALVE
- 100 PSI DRY PRESSURE GAUGE
- ALL-STEEL FRAME & RETRACTABLE TONGUE
- 15 FEET OF RUBBER HOSE TO SPRAY GUN
- 12 VOLT WIRE HARNESS WITH SWITCH

DELUXE
FEATURES

PERFORMANCE

- UP TO 25' VERTICAL AND 30' HORIZONTAL SPOT SPRAY
- UP TO 4 ACRE COVERAGE WITH 30' SPRAY SWATH
- ON-DEMAND PUMP GENERATES 60 PSI

TRAILER SPRAYERS

200/300 GALLON



	Part #	Pump	Spray Gun	Spray Boom	Swath	Carton Size	Weight	UPC	UPS Shippable	Freight Class
200 GALLON	SLR-N8-200P-MM	Everflo 5.5 GPM	Adjustable Flash Spray Gun	Folding Chain Boom, 14 Flat Fan Nozzles	23'	60" x 81" x 55"	485 lbs	810044040999	No	150
	SLR-K8-200P-MM	Everflo 5.5 GPM	Adjustable Flash Spray Gun	Single Boomless Nozzle	52'	60" x 81" x 55"	455 lbs	810044040982	No	150



FEATURED SPRAYER



SLR-N8-200P-MM

FEATURES

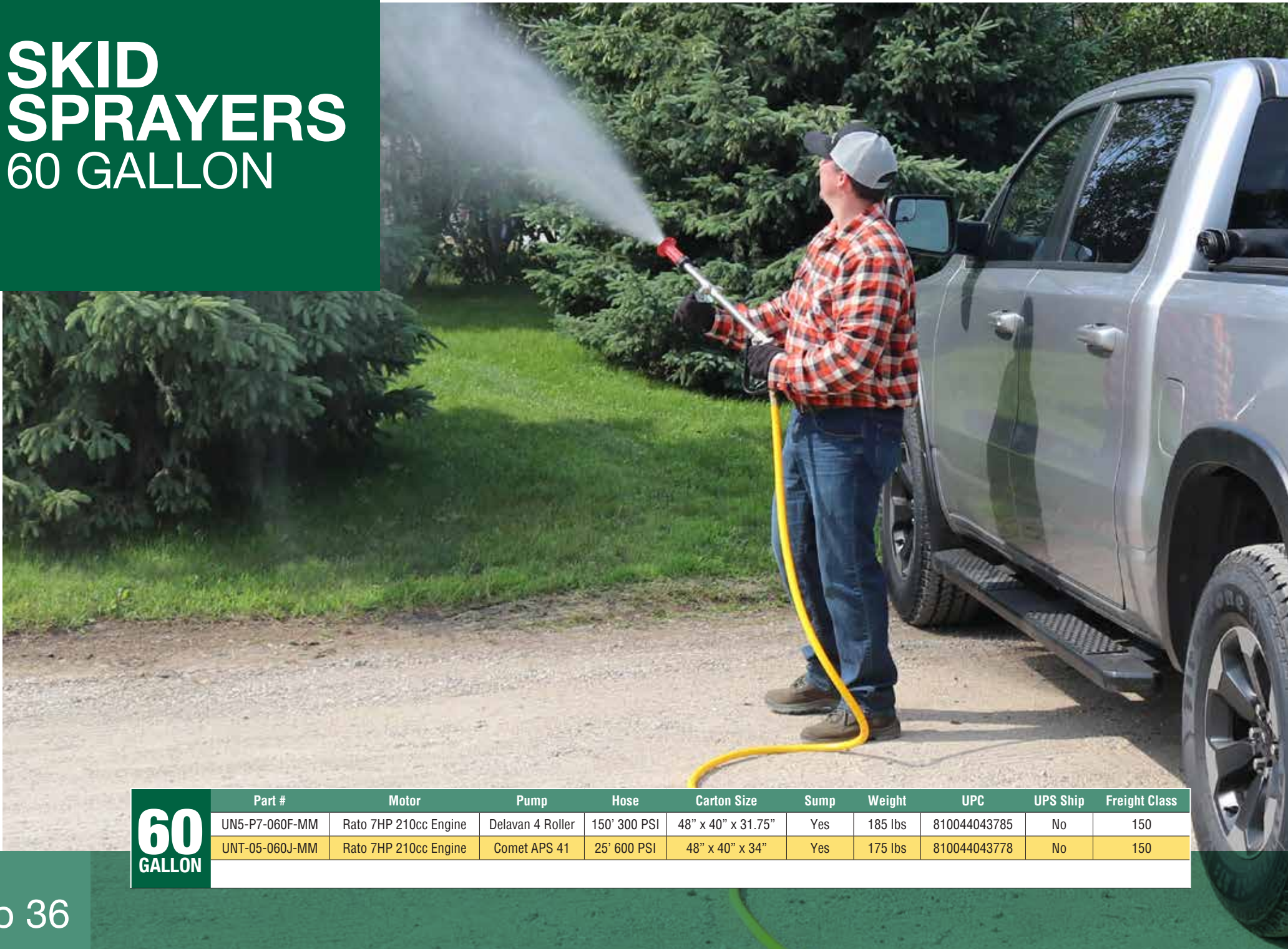
- ADJUSTABLE FLASH SPRAY GUN
- 5.5 GPM EVERFLO DIAPHRAGM PUMP
- ALL-STEEL HEAVY DUTY TRAILER
- RUGGED FOLDING CHAIN BOOM
- 14 QUICK ATTACH, NO-DRIP, FLAT FAN NOZZLES
- 20.5" HEAVY DUTY TIRES
- PRESSURE REGULATING SYSTEM
- INDEPENDENT SUSPENSION AXLE
- TOP WIND TRAILER JACK (2000 LB)
- CONVERTS TO FORKLIFTABLE SKID
- 12" VENTED SCREW ON FILL LID
- LTL SHIPPABLE

PERFORMANCE

- UP TO 25' VERTICAL AND 30' HORIZONTAL SPOT SPRAY
- UP TO 15 ACRE COVERAGE WITH 23' SPRAY SWATH
- ON-DEMAND PUMP GENERATES 60 PSI

300 GALLON	Part #	Pump	Spray Gun	Spray Boom	Swath	Dimensions	Weight	UPC	UPS Shippable	Freight Class
	SLM-K8-300C-MM	8 Roller Delavan	Adjustable Aluminum	Single Boomless Nozzle	58'	82" x 161" x 55"	940 lbs	810044043921	No	150
SLM-J8-300C-MM	8 Roller Delavan	Adjustable Aluminum	Folding, 21 Flat Fan Nozzles	35'	60" x 81" x 55"	1100 lbs	810044043914	No	150	

SKID SPRAYERS 60 GALLON



60
GALLON

Part #	Motor	Pump	Hose	Carton Size	Sump	Weight	UPC	UPS Ship	Freight Class
UN5-P7-060F-MM	Rato 7HP 210cc Engine	Delavan 4 Roller	150' 300 PSI	48" x 40" x 31.75"	Yes	185 lbs	810044043785	No	150
UNT-05-060J-MM	Rato 7HP 210cc Engine	Comet APS 41	25' 600 PSI	48" x 40" x 34"	Yes	175 lbs	810044043778	No	150



FEATURED SPRAYER



UNT-05-060J-MM

FEATURES

- ADJUSTABLE FLASH SPRAY GUN
- 7.0HP (210CC) RATO GAS ENGINE
- 10 GPM COMET APS 41 DIAPHRAGM PUMP
- REAR-FACING CONTROLS W/PRESSURE RELIEF SYSTEM
- 1000 PSI GLYCERIN STAINLESS STEEL PRESSURE GAUGE
- 25 FEET OF 1/2" HIGH PRESSURE HOSE
- QUICK GRIP FRONT & BACK TEAM LIFT HANDLES
- ALL-STEEL, POWDER COATED FORKLIFTABLE FRAME
- STEEL HOSE RACK

PERFORMANCE

- UP TO 25' VERTICAL AND 30' HORIZONTAL SPRAY
- DIAPHRAGM PUMP GENERATES UP TO 580 PSI

SKID SPRAYERS

150/200 GALLON



	Part #	Motor	Pump	Carton Size	Weight	UPC	UPS Shippable	Freight Class
150 GALLON	SUL-01-150C-MM	3.5 HP Briggs & Stratton	6 Roller Delavan	42" x 72" x 55"	285 lbs	816403006330	No	150
	SUR-K8-150P-MM	None	Everflo 5.5 GPM	42" x 72" x 55"	285 lbs	810044041040	No	150



FEATURED SPRAYER



SUL-01-150C-MM

FEATURES

- 22" ALUMINUM JET STREAM ADJUSTABLE SPRAY GUN
- 3.5HP (280CC) BRIGGS AND STRATTON GAS ENGINE
- 19 GPM DELAVAN CAST IRON 6 ROLLER PUMP
- REAR-FACING CONTROL BAY W/PRESSURE RELIEF SYSTEM
- 300 PSI DRY PRESSURE GAUGE
- ALL-STEEL, POWDER COATED FORKLIFTABLE FRAME
- 15 FEET OF 1/2" RUBBER HOSE TO SPRAY GUN
- 12" VENTED SCREW ON FILL LID

PERFORMANCE

- UP TO 25' VERTICAL AND 30' HORIZONTAL SPOT SPRAY
- ROLLER PUMP GENERATES 300 PSI

200 GALLON	Part #	Motor	Pump	Carton Size	Weight	UPC	UPS Shippable	Freight Class
	SUL-01-200C-MM	3.5 HP Briggs & Stratton	6 Roller Delavan	42" x 72" x 55"	395 lbs	816403006347	No	150
SUR-K8-200P-MM	None	Everflo 5.5 GPM	42" x 72" x 55"	375 lbs	810044041057	No	150	
FUS-Z1-200K-MM	3.5 HP Briggs & Stratton	8 Roller Delavan	42" x 72" x 55"	395 lbs	814485010146	No	150	

UTV SPRAYERS 50 GALLON

CHANGE FROM PRECISION FAN NOZZLES TO BOOMLESS BROADCAST SPRAYING WITH A SIMPLE TWIST OF THE NOZZLE ASSEMBLIES

PRECISION
(Fan Tips)

OFF

BROADCAST
(Boomless Nozzles)



50
GALLON

Part #	Pump	Spray Gun	Spray Boom	Spray Swath	Carton Size	Weight	UPC	Pallet Qty	UPS Shippable	Freight Class
UNP-51-050D-MM	Everflo 3.0 GPM	Deluxe Adjustable	Folding, 6 Flat Fan Nozzles	10'	46" x 38" x 19"	95 lbs	816403009911	5	No	150
UNP-Y1-050D-MM	Everflo 3.0 GPM	Deluxe Adjustable	2 in 1 Precision & Broadcast Boom	30'	46" x 38" x 19"	83 lbs	816403009553	5	No	150



FEATURED SPRAYER



UNP-Y1-050D-MM

FEATURES

- DELUXE ADJUSTABLE SPRAY GUN
- 3.0 GPM EVERFLO DIAPHRAGM PUMP
- BOOMLESS AND PRECISION SPRAYING MODES
- OVER-GATE SPRAY BOOM MOUNTING SYSTEM

DELUXE
FEATURES

- RECESSED DRIVER-SIDE CONTROL BAY
- REGULATOR WITH BOOM SHUT-OFF VALVE
- 100 PSI GLYCERIN STAINLESS STEEL PRESSURE GAUGE
- ALL-STEEL, ON TANK HANDLES FOR EASY LIFTING
- 15 FEET OF RUBBER HOSE TO SPRAY GUN
- ANGLED BASE FOR COMPLETE DRAINAGE
- 8" VENTED SCREW ON FILL LID

PERFORMANCE

- UP TO 25' VERTICAL AND 30' HORIZONTAL SPOT SPRAY
- UP TO 4 ACRE COVERAGE MULTIPLE SPRAY SWATHS
- ON-DEMAND PUMP GENERATES 60 PSI

3-POINT SPRAYERS

40/60 GALLON



40
GALLON

Part #	Pump	Spray Gun	Spray Boom	Swath	Carton Size	Weight	UPC	Pallet Qty	UPS Shippable	Freight Class
S30-51-040A-MM	Everflo 2.2 GPM	Adjustable	Folding, 6 Flat Fan Nozzles	10'	39" x 31.5" x 24.5"	86 lbs	816403009928	8	No	150
S30-51-040D-MM	Everflo 2.2 GPM	Deluxe Adjustable	Folding, 6 Flat Fan Nozzles	10'	39" x 31.5" x 24.5"	86 lbs	816403009720	8	No	150

FEATURED SPRAYER



S3O-51-040A-MM

FEATURES

- ADJUSTABLE SPRAY GUN
- ALL-STEEL, HORIZONTALLY FOLDING BOOM
- 6 NO-DRIP, QUICK ATTACH FAN NOZZLES
- REGULATOR WITH BOOM SHUT-OFF VALVE
- 100 PSI DRY PRESSURE GAUGE
- 2.2 GPM EVERFLO 12 VOLT DIAPHRAGM PUMP
- 15 FEET OF RUBBER HOSE TO SPRAY GUN
- 12 VOLT WIRE HARNESS WITH SWITCH

PERFORMANCE

- UP TO 25' VERTICAL AND 30' HORIZONTAL SPOT SPRAY
- UP TO 4 ACRE COVERAGE WITH 10' SPRAY SWATH
- ON-DEMAND PUMP GENERATES 70 PSI



60 GALLON	Part #	Pump	Spray Gun	Spray Boom	Swath	Carton Size	Weight	UPC	Pallet Qty	UPS Shippable	Freight Class
	S3A-24-060N-MM	None	No Spray Gun	Folding, 3 Deflector Nozzles	10'	40" x 33" x 34"	90 lbs	816403004831	4	No	150
	S3O-51-060D-MM	Everflo 2.2 GPM	Deluxe Adjustable	Folding, 6 Flat Fan Nozzles	10'	40" x 33" x 34"	112 lbs	810044041231	4	No	150
	S3O-61-060D-MM	Everflo 2.2 GPM	Deluxe Adjustable	Folding, 8 Flat Fan Nozzles	13'	40" x 33" x 34"	118 lbs	816403009935	4	No	150

3-POINT SPRAYERS

150-300
GALLON



150
GALLON

Part #	Pump	Spray Gun	Spray Boom	Swath	Carton Size	Weight	UPC	UPS Shippable	Freight Class
S3K-N1-150P-MM	6 Roller Delavan	Adjustable Flash Gun	Folding Chain Boom, 14 Flat Fan Nozzles	23'	48" x 96" x 46"	430 lbs	810044041002	No	150
S3K-K1-150P-MM	6 Roller Delavan	Adjustable Flash Gun	Single Boomless Nozzle	52'	48" x 96" x 46"	380 lbs	810044041026	No	150



FEATURED SPRAYER



S3K-N1-200P-MM

FEATURES

- ADJUSTABLE MISTING SPRAY GUN
- 19 GPM DELAVAN CAST IRON 6 ROLLER PUMP
- THREE SECTION, FOLDABLE CHAIN BOOM
- INDIVIDUAL BOOM SECTION CONTROL
- 14 QUICK ATTACH, NO-DRIP FAN NOZZLES
- EASY TO REACH PRESSURE RELIEF SYSTEM
- 160 PSI DRY PRESSURE GAUGE
- ALL-STEEL, POWDER COATED FRAME
- 12" VENTED SCREW ON FILL LID

PERFORMANCE

- UP TO 25' VERTICAL AND 30' HORIZONTAL SPOT SPRAY
- UP TO 20 ACRE COVERAGE WITH 23' SPRAY SWATH
- ROLLER PUMP GENERATES 300 PSI

200 /300 GALLON	Part #	Pump	Spray Gun	Spray Boom	Swath	Carton Size	Weight	UPC	UPS Shippable	Freight Class
	S3K-N1-200P-MM	6 Roller Delavan	Adjustable Flash Gun	Folding Chain Boom, 14 Flat Fan Nozzles	23'	48" x 96" x 46"	430 lbs	810044041019	No	150
	S3K-K1-200P-MM	6 Roller Delavan	Adjustable Flash Gun	Single Boomless Nozzle	58'	48" x 96" x 46"	380 lbs	810044041033	No	150
	S3M-J8-300C-MM	8 Roller Delavan	Adjustable Aluminum	Folding, 21 Flat Fan Nozzles	35'	58" x 80" x 97"	700 lbs	810044043938	No	150
	S3M-K8-300C-MM	8 Roller Delavan	Adjustable Aluminum	Single Boomless Nozzle	58'	58" x 80" x 76"	550 lbs	810044043945	No	150

HIGH PRESSURE SPRAYERS

25 GALLON



FEATURED SPRAYER



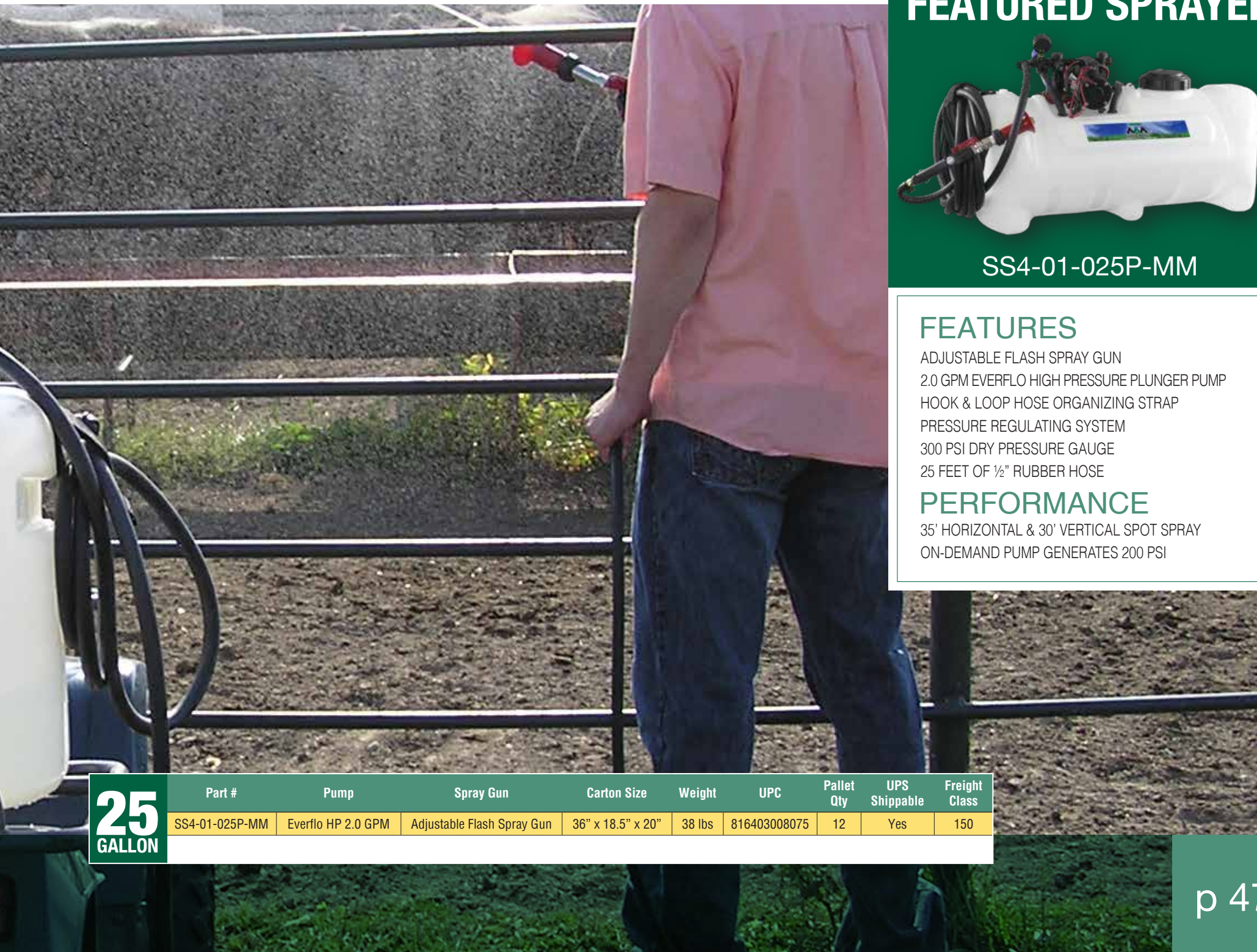
SS4-01-025P-MM

FEATURES

- ADJUSTABLE FLASH SPRAY GUN
- 2.0 GPM EVERFLO HIGH PRESSURE PLUNGER PUMP
- HOOK & LOOP HOSE ORGANIZING STRAP
- PRESSURE REGULATING SYSTEM
- 300 PSI DRY PRESSURE GAUGE
- 25 FEET OF ½" RUBBER HOSE

PERFORMANCE

- 35' HORIZONTAL & 30' VERTICAL SPOT SPRAY
- ON-DEMAND PUMP GENERATES 200 PSI



25
GALLON

Part #	Pump	Spray Gun	Carton Size	Weight	UPC	Pallet Qty	UPS Shippable	Freight Class
SS4-01-025P-MM	Everflo HP 2.0 GPM	Adjustable Flash Spray Gun	36" x 18.5" x 20"	38 lbs	816403008075	12	Yes	150

MIST BLOWER PORTABLE



FEATURED SPRAYER



MMW-01-000N-MM

FEATURES

- 7.0HP (210CC) RATO GAS ENGINE
- 210-DEGREE MANUALLY ROTATING FAN
- VOLUTE WITH 2 FAN NOZZLES
- CENTRALIZED HANDLES FOR EASY TEAM LIFTS
- ALL-STEEL, HEAVY-DUTY FRAME

PERFORMANCE

- MIST UP TO 75' HORIZONTAL & 40' VERTICAL
- MINIMUM OF 2.2 GPM REQUIRED TO MIST



ANY VOLUME	Part #	Engine	Pump	Mist Volute	Carton Size	Weight	UPC	Pallet Qty	UPS Shippable	Freight Class
	MMW-01-000N-MM	Rato 7HP 210cc	None	Flat Fan Nozzles	34" x 10.5" x 28"	78 lbs	810044043211	6	No	150

Mist Blower Attaches to Existing Spot Sprayer (sold separately)



UNIQUE SPECIALTY DESIGNS

	Part #	Pump	Capacity	Carton Size	Weight	UPC	Pallet Qty	UPS Ship	Freight Class
15-40 GALLON	SSX-02-015A-B	Flojet 1.6 GPM	15 Gal	35" x 17" x 15"	16 lbs	814485012331	18	Yes	150
	SSX-02-025A-B	Flojet 1.6 GPM	25 Gal	36" x 19" x 19"	23 lbs	814485012515	15	Yes	150
	SSX-02-040A-B	Flojet 1.6 GPM	40 Gal	37" x 25" x 21"	26 lbs	814485012331	8	Yes	150

FEATURES

- ADJUSTABLE SPRAY GUN
- 1.6 FLOJET 12V DIAPHRAGM PUMP
- 15' BRAIDED NYLON HOSE TO SPRAY GUN
- INCLUDES 12V WIRE HARNESS WITH CLAMPS

PERFORMANCE

- DIESEL MIX COMPATIBLE
- 16' VERTICAL & 25' HORIZONTAL SPOT SPRAY
- ON-DEMAND PUMP GENERATES 60 PSI

BRUSHPRO™

SSX-02-015A-B





UNIQUE SPECIALTY DESIGNS

25 GALLON	Part #	Pump	Capacity	Carton Size	Weight	UPC	Pallet Qty	UPS Ship	Freight Class
	SSP-L1-025N-MM	3.0 GPM Everflo	25 Gal	36" x 19" x 19"	25 lbs	814485016285	15	Yes	150

Hay Sprayer Includes Hoses, Fittings & Nozzles to Attach to Hay Baler



- ### FEATURES
- 3.0 GPM EVERFLO PUMP
 - REGULATOR WITH SHUT-OFF VALVE
 - 100 PSI GLYCERIN SST PRESSURE GAUGE
 - 4 CONICAL NOZZLES & PLUMBING FITTINGS TO ATTACH TO HAY BALER
 - IDEAL FOR MOLD INHIBITORS
 - 12V CONNECTION CABLES

PROFESSIONAL SPRAYERS

35/50/110 GALLON



PP2-Q7-035M-MM



35
GALLON

Part #	Hose Reel	Pump	Spray Gun	Carton Size	Weight	UPC	UPS Ship	Freight Class
PP2-Q7-035M-MM	12" Aluminum U-Channel	Dual Everflo 2.2 GPM	Adjustable Jet	48" x 40" x 32"	205 lbs	814485016575	No	150

FEATURED SPRAYER



PAV-Q7-050M-MM

FEATURES

- ADJUSTABLE LAWN CARE SPRAY GUN
- 6.5HP (196CC) HONDA GAS ENGINE
- 10 GPM COMET APS 41 DIAPHRAGM PUMP
- REAR-FACING CONTROLS W/PRESSURE RELIEF SYSTEM
- 1000 PSI GLYCERIN STAINLESS STEEL PRESSURE GAUGE
- 12" HEAVY-DUTY ALUMINUM MANUAL HOSE REEL
- 200 FEET OF 1/2" HIGH PRESSURE HOSE
- CORROSION RESISTANT ALUMINUM FORKLIFTABLE FRAME
- COMPACT DESIGN THAT FITS UNDER TRUCK BED COVERS

PERFORMANCE

- UP TO 35' VERTICAL AND 45' HORIZONTAL SPRAY
- DIAPHRAGM PUMP GENERATES UP TO 580 PSI



**50/
110
GALLON**

Part #	Hose Reel	Pump	Spray Gun	Capacity	Carton Size	Weight	UPC	UPS Ship	Freight Class
PAV-Q7-050M-MM	12" Aluminum Manual	Comet APS 41	Adjustable Jet	50 Gal	72" x 60" x 48"	310 lbs	814485016582	No	150
PAV-S7-110M-MM	12" Aluminum Manual	Comet APS 41	Adjustable Jet	110 Gal	70" x 58" x 50"	395 lbs	814485016599	No	150

BOOM MOUNTING SYSTEM FOR 2" RECEIVERS



RECEIVER MOUNT	Part #	Carton Size	Weight	UPC	Pallet Qty	UPS Ship	Freight Class
	SSFK-UTVBR*	30" x 8.5" x 3.75"	19 lbs	810044043402	50	Yes	150
*Patent Pending							



FEATURED PRODUCT



SSFK-UTVBR

FEATURES

- 10 ADJUSTABLE, SELF-LEVELING POSITIONS
- RECEIVER NO WOBBLE TENSION LOCKING SYSTEM
- ARM DROP SAFETY CATCH WHEN ADJUSTING
- TOOL-FREE INSTALLATION
- ALL-STEEL, POWDER COATED PARTS

PERFORMANCE

- FITS INTO ANY 2" RECEIVER
- UNIVERSAL MOUNTING SYSTEM WITH MASTER BOOM KITS
- ADJUSTS TO PERFECT SPRAY HEIGHT

BOOM KITS

7-13' COVERAGE

FEATURES

- ADJUSTABLE BRACKETS FOR PERFECT SPRAY HEIGHT
- BOTTOM MOUNTED 100 PSI PRESSURE GAUGE
- ADJUSTABLE PRESSURE REGULATOR
- BOOM SHUT-OFF VALVE
- 12 VOLT WIRE HARNESS WITH SWITCH
- ALL-STEEL, POWDER-COATED DESIGN

SSBK-240



7' Swath	40" Nozzle Spacing
Dual Deflector Nozzles (DF3.0-CSK)	Min. 1.1 GPM Required
Compact Design	

SSBK-340



10' Swath	40" Nozzle Spacing
Three Deflector Nozzles (DF3.0-CSK)	Min. 1.8 GPM Required
Folding Arm Design	

SSBK-620



10' Swath	20" Nozzle Spacing
6 No-Drip, Fan Nozzles (90.080.002-CSK)	Min. 1.8 GPM Required
Folding Arm Design	

SSBK-820



13' Swath	20" Nozzle Spacing
8 No-Drip, Fan Nozzles (90.080.001-CSK)	Min. 1.8 GPM Required
Folding Arm Design	

Part #	Carton Size	Weight	UPC	Pallet Qty	UPS Ship	Freight Class
SSBK-240	23" x 3.75" x 8"	8 lbs	810044040678	50	Yes	150
SSBK-340	44.25" x 3.75" x 8"	11 lbs	810044042443	50	Yes	150
SSBK-620	47.5" x 5.75" x 8"	17 lbs	810044040494	25	Yes	150
SSBK-820	60.75" x 5.75" x 8"	23 lbs	810044040500	25	Yes	150

SSBK-NB-2



16' Swath	Single Nozzle (BN2BP125FWX-CS)
Min. 2.0 GPM Required	

SSBK-DNB-2



8-16' Swath	Dual Nozzle (BN2BP088LSX-CS & BN2BP088RSX-CS)
Min. 2.0 GPM Required	

SSBK-DNB-3



11-22' Swath	Dual Nozzle (BN2BP116LSX-CS & BN2BP116RSX-CS)
Min. 3.0 GPM Required	

SSBK-PNB



5-30' Swath	Dual Broadcast Nozzles (BN2BP088LSX-CS & BN2BP088RSX-CS)
Min. 2.0 GPM Required	Three Air Induction Nozzles (G-8259494-CSK)
Adjustable Inner & Outer Nozzle Bodies	

BOOMLESS NOZZLE KITS

8-30' COVERAGE

FEATURES

- ADJUSTABLE BRACKETS FOR PERFECT SPRAY HEIGHT
- BOTTOM MOUNTED 100 PSI PRESSURE GAUGE
- ADJUSTABLE PRESSURE REGULATOR
- BOOM SHUT-OFF VALVE
- 12 VOLT WIRE HARNESS WITH SWITCH
- ALL-STEEL, POWDER-COATED DESIGN

Part #	Carton Size	Weight	UPC	Pallet Qty	UPS Ship	Freight Class
SSBK-NB-2	31" x 4" x 9"	7 lbs	816403003834	75	Yes	150
SSBK-DNB-2	31" x 4" x 9"	7 lbs	816403003858	75	Yes	150
SSBK-DNB-3	31" x 4" x 9"	7 lbs	816403003865	75	Yes	150
SSBK-PNB	45" x 9" x 4"	8 lbs	816403008310	50	Yes	150

* ALL BROADCAST SPRAY BOOMS COME BOXED AND RETAIL READY LABELED.

NPT EVERFLO DIAPHRAGM PUMPS & HEADS 1.0-7.0 GPM



EF1000



EF2200



EF3000



EF4000



EF5500



EF7000

FEATURES

- 100% CONTINUOUS DUTY RATING
- SELF-PRIMING UP TO 12 FEET (W/SPECIFIC MODELS)
- AUTOMATIC TURN-OFF WHEN NO FLOW REQUIRED
- INLINE FUSE PROTECTION
- POLYPROPYLENE HOUSING & VALVE PLATE
- QUALITY VITON® VALVES
- SANTOPRENE™ DIAPHRAGMS
- HONEYWELL MICRO SWITCH™
- ZINC PLATED STEEL FASTENERS
- UNIVERSAL MOUNTING PATTERN
- CE APPROVED
- GLYPHOSATE COMPATIBLE

NPT PUMPS	Part #	GPM	Ports	Carton Size	Weight	UPC	Master Carton Qty	Pallet Qty	UPS Ship	Freight Class
	EF1000-BOX	1.0	3/8" HB	8.5" x 4.13" x 2.75"	2 lbs	814485010399	12	540	Yes	150
	EF2200-BOX	2.2	3/8" NPT	9.75" x 4.25" x 4"	6 lbs	814485010405	12	288	Yes	150
	EF3000-BOX	3.0	1/2" NPT	10.25" x 6.25" x 5.25"	7 lbs	814485010412	6	144	Yes	150
	EF4000-BOX	4.0	1/2" NPT	10.25" x 6.25" x 5.25"	7 lbs	814485010429	6	144	Yes	150
	EF5500-BOX	5.5	1/2" NPT	10.25" x 6.25" x 5.25"	7 lbs	814485010436	6	144	Yes	150
	EF7000-BOX	7.0	1/2" NPT	11" x 6.25" x 6"	10 lbs	814485012003	4	108	Yes	150



NPT PUMP HEADS	Part #	GPM	Ports	Carton Size	Weight	UPC	Master Carton Qty	UPS Ship	Freight Class
	EF2200-KIT	2.2	3/8" NPT	4" x 4" x 4"	0.8 lbs	814485013383	16	Yes	150
	EF3000-KIT	3.0	1/2" NPT	5" x 5" x 5"	1.4 lbs	814485013390	12	Yes	150
	EF4000-KIT	4.0	1/2" NPT	5" x 5" x 5"	1.4 lbs	814485013406	12	Yes	150
	EF5500-KIT	5.5	1/2" NPT	5" x 5" x 5"	1.4 lbs	814485013413	12	Yes	150
	EF7000-KIT	7.0	1/2" NPT	5" x 5" x 5"	1.4 lbs	814485015851	12	Yes	150

QA EVERFLO DIAPHRAGM PUMPS & HEADS 2.0-7.0 GPM



EF2200-QA



EF3000-QA



EF4000-QA



EF5500-QA



EF7000-QA

QA PUMPS	Part #	GPM	Ports	Carton Size	Weight	UPC	Master Carton Qty	Pallet Qty	UPS Ship	Freight Class
	EF2200-QA-BOX	2.2	QA	9.75" x 4.25" x 4"	6 lbs	814485013789	12	288	Yes	150
EF3000-QA-BOX	3.0	QA	10.25" x 6.25" x 5.25"	7 lbs	814485013796	6	144	Yes	150	
EF4000-QA-BOX	4.0	QA	10.25" x 6.25" x 5.25"	7 lbs	814485013802	6	144	Yes	150	
EF5500-QA-BOX	5.5	QA	10.25" x 6.25" x 5.25"	7 lbs	814485013819	6	144	Yes	150	
EF7000-QA-BOX	7.0	QA	11" x 6.25" x 6"	10 lbs	814485015844	4	108	Yes	150	



QA PUMP HEADS	Part #	GPM	Ports	Carton Size	Weight	UPC	Master Carton Qty	UPS Ship	Freight Class
	EF2200-QA-KIT	2.2	QA	4" x 4" x 4"	0.8 lbs	814485018647	16	Yes	150
EF3000-QA-KIT	3.0	QA	5" x 5" x 5"	1.4 lbs	814485018654	12	Yes	150	
EF4000-QA-KIT	4.0	QA	5" x 5" x 5"	1.4 lbs	814485018661	12	Yes	150	
EF5500-QA-KIT	5.5	QA	5" x 5" x 5"	1.4 lbs	814485018678	12	Yes	150	
EF7000-QA-KIT	7.0	QA	5" x 5" x 5"	1.4 lbs	814485018685	12	Yes	150	



EFHP2000

HP PUMP	Part #	GPM	PSI	Ports	Carton Size	Weight	UPC	Master Carton Qty	Pallet Qty	UPS Ship	Freight Class
	EFHP2000-BOX	2.0	200	QA	13.5" x 10" x 8.25"	15 lbs	814485016322	4	84	Yes	150

BOOM SPRAY NOZZLES

NOZZLE CHARTS PAGE 73

80° Flat Fan Nozzles



Part #	Color	UPC
90.080.002-CSK	Yellow	816403006194
90.080.003-CSK	Blue	816403006200
90.080.004-CSK	Red	816403005999
90.080.006-CSK	Gray	814485012201
90.080.008-CSK	White	814485012225

Medium Drop Size

Medium Drift Hazard

30-60 PSI

20-28" Height Suggested

110° Air Induction Nozzles



Part #	Color	UPC
G-8259492-CSK	Yellow	814485018005
G-8259493-CSK	Purple	814485018012
G-8259494-CSK	Blue	814485018029
G-8259495-CSK	Red	814485018036
G-8259496-CSK	Brown	814485018753
G-8259557-CSK	Gray	814485018692

Medium Drop Size

Low Drift Hazard

25-90 PSI

20" Height Suggested

140° Deflector Nozzles



Larger Orifice for Clog Resistance

Part #	Color	UPC
DF2.0-CSK	Red	816403006026
DF2.5-CSK	Brown	816403006019
DF3.0-CSK	Gray	816403006002
DF4.0-CSK	White	814485011129
DF5.0-CSK	Blue	814485011112
DF7.5-CSK	Green	814485012249
DF10.0-CSK	Black	814485012256

Medium Drop Size

Low Drift Hazard

10-45 PSI

14-20" Height Suggested

BOOMLESS SPRAY NOZZLES

Left, Right & Full Pattern Boomless Nozzles



Part #	Pattern	GPM	Swath	Orifice	UPC
BN2BP088LSX-CS	Left	2	8'	.088	816403003728
BN2BP088RSX-CS	Right	2	8'	.088	816403003735
BN2BP125FWX-CS	Full	2	16'	.125	816403003742
BN2BP116LSX-CS	Left	3	11'	.116	816403003759
BN2BP116RSX-CS	Right	3	11'	.116	816403003766
BN2BP152FWX-CS	Full	3	22'	.152	816403003773

30-60 PSI

Medium Drift Hazard

24-48" Suggested Height

Includes 1/4" x 11/16" Female Adapter

Half & Full Pattern Boomless Nozzles for High Volume Pumps



Part #	GPM	Swath	Orifice	UPC
6540-01-CSK	2.4	50'	#5	816403007221
6541-01-CSK	5.0	52'	#10	814485013185
6542-01-CSK	7.0	58'	#20	816403008051

40-60 PSI

Medium Drift Hazard

24-48" Suggested Height

Includes 1/2" MNPT x 3/8" FNPT Reducer Bushing




NOZZLE CHARTS
PAGE 74

* ALL SPRAYER ACCESSORIES ENDING IN "-CSK" COME CLAMSHELLED WITH INFO INSERT CARD. AVAILABLE IN BULK OFFERING AS WELL.

SPRAYER ACCESSORIES SPRAY GUNS

All Spray Guns Feature an Adjustable Spray Pattern from Fine Mist to Solid Stream.

Trigger Spray Gun	
Part: SG-4200-18	UPC: 816403003476
Part: SG-4200-18-CB	UPC: 816403005968
	
30" Overall Length	Chromed Aluminum Lance
In-Handle Filter	3/8" Hose Barb Inlet
#18 Orifice	

Trigger Spray Gun	
Part: SG-4507F	UPC: 816403001243
Part: SG-4507-CB	UPC: 816403005944
	
30" Overall Length	3/8" Hose Barb Inlet
Chromed Aluminum Lance	In-Handle Filter

Deluxe Pistol Grip Spray Gun	
Part: SG-2218-18	UPC: 816403003445
Part: SG-2218-18-CB	UPC: 816403005975
Part: SG-2218-24	UPC: 816403002189
Part: SG-2218-24-CB	UPC: 814485018166
	
Brass Nozzle	350 PSI Max Pressure
3/8" Hose Barb Inlet	7 GPM Max Flow
Adjustable Spray Nozzle	#18 Orifice
Locking Spray Grip	18" and 24" Lengths

Heavy-Duty Pistol Grip Spray Gun	
Part: SG-5518-09	UPC: 816403005814
Part: SG-5518-09-CB	UPC: 816403005913
Part: SG-5518-18	UPC: 816403002752
Part: SG-5518-18-CB	UPC: 816403005906
Part: SG-5518-24	UPC: 816403005821
	
Brass Nozzle	350 PSI Max Pressure
3/8" Hose Barb Inlet	7 GPM Max Flow
Adjustable Spray Nozzle	#18 Orifice
Locking Spray Grip	9", 18" and 24" Lengths

Telescoping Spray Gun	
Part: SG-500T	UPC: 816403002813
Part: SG-500T-CB	UPC: 816403005920
	
40" Max Length	Chromed Aluminum Lance
In-Handle Filter	3/8" Hose Barb Inlet
#18 Orifice	

Jet Stream Aluminum Wand Spray Gun

Part: SG-1005 UPC: 814485018234



Control Handle Up to 400 PSI
23" Overall Length 3/4" FGH Inlet

Jet Stream Aluminum Trigger Spray Gun

Part: SG-1700-13 UPC: 814485018210



Dripless Nozzle Up to 8 GPM
Up to 800 PSI Ergonomic Handle
13" Aluminum Barrel 1/2" FNPT Inlet

Jet Stream Trigger Spray Gun

Part: SG-1700-22 UPC: 814485018227



Dripless Nozzle Up to 8 GPM
Up to 800 PSI Ergonomic Handle
22" Aluminum Barrel 1/2" FNPT Inlet

Flash Spray Gun

Part: SG-2200 UPC: 816403003421

Part: SG-2200-CSK UPC: 810044041415



Thumb Lever Spray Adjust 3/8" Hose Barb Inlet
15 GPM Max / 5 GPM Min 400 PSI Max / 100 PSI Min
16" Overall Length Adjusts Mist to Stream
Includes Interchangeable Nozzles and Inlet (-CSK only)

Long Range Spray Gun

Part: SG-3200 UPC: 816403003438



Adjusts Mist to Stream 850 PSI Max / 100 PSI Min
1/2" Hose Barb Inlet 25 GPM Max / 5 GPM Min
26.5" Overall Length Ergonomic Handle
Locking Grip w/Handguard 3.5 Lbs

Jet Spray Gun

Part: SG-PC-025 UPC: 814485010542



Durable Teflon Seals Brass 1/2" FNPT Inlet
2.5 mm Spray Nozzle Locking Spray Grip
Additional Nozzles Available 800 SPI Max

* SPRAY GUNS COME STANDARD WITH UPC BARCODED FLAG TAG.
SG-2200-CSK COMES CLAMHELLED AND SG-PC-025 COMES BOXED.

SPRAYER ACCESSORIES GENERAL

6" Tank Lid & 5" Basket Strainer

Part: 34-140030-CSK UPC: 816403006101

Part: TLS-5D-CSK UPC: 814603006774



Fits 9-60 Gallon Sprayers Durable Polypropylene

Screw On Lid w/Gasket Drop-In Strainer

Hose Organizing Strap

Part: HOSE-STRAP-CSK UPC: 816403007368



Mount to Any Sprayer Self-Tapping Screw Mount

Hook & Loop Fastener Holds Up To 40' Hose

Nozzle Body Quick Clip (4 Pack)

Part: 31-400010-CSK UPC: 816403009799



Durable Polypropylene Compatible with Current Boom Kits

Secure Fit to Spray Booms No Tools Needed

Elbow Nozzle Body with Check Valve

Part: G-8235019-CSK UPC: 814485013192 3/8"

Part: G-8235021-CSK UPC: 814485011587 1/2"

Part: G-8235023-CSK UPC: 814485011594 3/4"



Durable Polypropylene Quick Attach Outlet

Hose Barb Inlet Installs in Seconds

Tee Nozzle Body with Check Valve

Part: G-8235025-CSK UPC: 814485013208 3/8"

Part: G-8235027-CSK UPC: 814485011600 1/2"

Part: G-8235029-CSK UPC: 814485011617 3/4"



Durable Polypropylene Quick Attach Outlet

2 Hose Barb Inlets Installs in Seconds

Elbow Nozzle Body

Part: G-8231001-CSK	UPC: 814485013505	3/8"
Part: G-8231003-CSK	UPC: 814485011549	1/2"
Part: G-8231005-CSK	UPC: 814485011556	3/4"



Durable Polypropylene	Quick Attach Outlet
Hose Barb Inlet	Installs in Seconds

Tee Nozzle Body

Part: G-8231007-CSK	UPC: 814485013512	3/8"
Part: G-8231009-CSK	UPC: 814485011563	1/2"
Part: G-8231011-CSK	UPC: 814485011570	3/4"



Durable Polypropylene	Quick Attach Outlet
2 Hose Barb Inlets	Installs in Seconds

Cross Nozzle Body

Part: G-8231013-CSK	UPC: 814485013529	3/8"
---------------------	-------------------	------



Durable Polypropylene	Quick Attach Outlet
3 Hose Barb Inlets	Installs in Seconds

Elbow Nozzle Body Kit (2 Pack)

Part: 34-140025BLK-CSK	UPC: 816403008709
------------------------	-------------------



11/16" MPT Outlet	3/8" Hose Barb Inlet
Caps, Nuts & Strainers	Durable Polypropylene
Nylon Option Available	

Tee Nozzle Body Kit (2 Pack)

Part: 34-140026BLK-CSK	UPC: 816403008716
------------------------	-------------------



11/16" MPT Outlet	3/8" Hose Barb Inlets
Incl: Caps, Nuts & Strainers	Durable Polypropylene
Nylon Option Available	

Cross Nozzle Body Kit

Part: 34-140027BLK-CSK	UPC: 816403008723
------------------------	-------------------



11/16" MPT Outlet	3/8" Hose Barb Inlets
Incl: Cap, Nut and Strainer	Durable Polypropylene
Nylon Option Available	

* ALL SPRAYER ACCESSORIES ENDING IN "-CSK" COME CLAMSHELLED WITH INFO INSERT CARD. SPRAYER ACCESSORIES AVAILABLE IN BULK OFFERING AS WELL.

50 Mesh Nozzle Strainers (4 Pack)

Part: NS-50-CSK	UPC: 816403006224
Part: NS-50-BC-CSK	UPC: 814485011501



Red, 50 Mesh	Drop-In Design
Ball Check (-BC Only)	Prevents Clogging

100 Mesh Nozzle Strainers (4 Pack)

Part: NS-100-CSK	UPC: 814485011495
Part: NS-100-BC-CSK	UPC: 816403006231



Black, 100 Mesh	Drop-In Design
Ball Check (-BC Only)	Prevents Clogging

Quick Attach Nozzle Caps (2 Pack)

Part: 34-140042-CSK	UPC: 814485011051	Yellow
Part: G-8253051-CSK	UPC: 810044041255	Black



Add/Remove in Seconds	Yellow for Fan Nozzles
Gaskets Included	Black For Deflector Nozzles

Wet Boom Nozzle Body Kit (Outer)

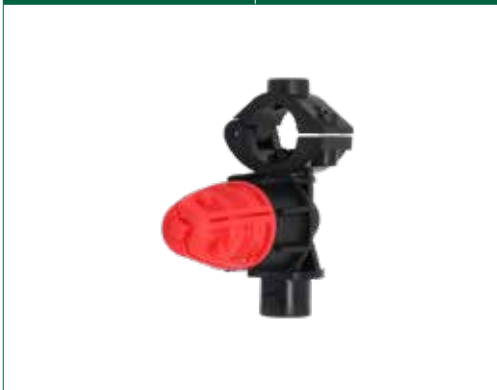
Part: G-8244190-KIT-CSK	UPC: 816403008518
-------------------------	-------------------



Outer Assy. for SSBK-PNB	Twist Operation
Quick Attach Connections	Durable Polypropylene

Wet Boom Nozzle Body Kit (Inner)

Part: G-8234084-CSK	UPC: 810044043747
---------------------	-------------------



Inner Assy. for SSBK-PNB	On/Off Operation
Quick Attach Connection	Durable Polypropylene

Snapper Hose Clamps (6 Pack)

Part: SHC-F-CSK	UPC: 816403005890	3/8"
Part: SHC-J-CSK	UPC: 816403005883	1/2"
Part: SHC-M-CSK	UPC: 816403005876	3/4"



Durable Polypropylene	3 Diameters to Match Hose
Squeeze Lock Design	Installs in Seconds
Additional Sizes Available	

Boom Mount Clamp (2 Pack)

Part: BCS-100-CSK	UPC: 816403006040	Sqr	1"
Part: BCR-34-CSK	UPC: 816403006057	Rnd	3/4"



Steel Construction	Includes Hardware
Additional Sizes Available	

Vari-Space Boom Clamps

Part: G-8235036-CSK	UPC: 814485011471	Sqr	3/4"
Part: G-8235038-CSK	UPC: 814485011488	Sqr	1"
Part: G-8235037-CSK	UPC: 814485011440	Rnd	3/4"
Part: G-8235039-CSK	UPC: 814485011457	Rnd	1"



Steel Construction	2 Sizes to Match Boom
Hardware Included	Additional Sizes Available

Garden Hose Valve

Part: GHV-1-BLK-CSK	UPC: 816403006217
---------------------	-------------------



3/4" FGHT Inlet	3/4" MGHT Outlet
Durable Polypropylene	Twist Valve Design

Hose Repair Kit

Part: 34-140024-CSK	UPC: 816403006118
---------------------	-------------------



3/8" Hose Barb Inlets	Screw-Type Design
Durable Nylon	Mends Broken Hose

Inlet Strainer

Part: 33-103121-CSK	UPC: 816403006187
---------------------	-------------------



3/8" Hose Barb Inlet	50 Mesh Steel Strainer
Durable Nylon	Prevents Contamination

Ball Valve (2 Pack)

Part: PBV-38HB-CSK	UPC: 814485010771
--------------------	-------------------



3/8" Hose Barb Inlet	3/8" Hose Barb Outlet
Durable Polypropylene	Twist Valve Design
Additional Sizes Available	

* ALL SPRAYER ACCESSORIES ENDING IN "-CSK" COME CLAMSHELLED WITH INFO INSERT CARD. SPRAYER ACCESSORIES AVAILABLE IN BULK OFFERING AS WELL.

Hose Barb QA Port Adapter

Part: EFQC-A12-CSK	UPC: 814485018579	1/2" HB
Part: EFQC-A38-CSK	UPC: 814485013581	3/8" HB



Male Quick Attach Inlet	Hose Barb Outlet
Durable Polypropylene	O-Ring Included

MNPT x Male QA Port Adapter

Part: EFQC-M12-CSK	UPC: 814485013598
--------------------	-------------------



1/2" MNPT Inlet	Male Quick Attach Outlet
Durable Polypropylene	O-Ring Included

MNPT x Female QA Port Adapter

Part: EF-QC-FQA/M38-CSK	UPC: 814485019835
-------------------------	-------------------



3/8" MNPT Inlet	Female Quick Attach Outlet
Durable Polypropylene	Lock Pin Included

Inline Strainer

Part: 34-140164-CSK	UPC: 816403002318
---------------------	-------------------



Hose Barb Inlet	Quick Attach Outlet
Clear Bowl Strainer	Prevents Pump Damage

Boom Shut-Off Valve

Part: 34-140141-CSK	UPC: 816403009690
---------------------	-------------------



Female Quick Attach Outlet	Male Quick Attach Inlet
Durable Polypropylene	Easy On/Off Control

Variable Pressure Regulator

Part: 34-140118-CSK	UPC: 814485018579
---------------------	-------------------



QA Inlet & Outlet to Boom	Hose Barb Outlet to Gun
Hose Barb Bypass to Tank	Includes 3/8" MPT Adapter

Drain Cap Kit

Part: 34-140007

UPC: 814485019842



Drain Cap, Gasket & Tether

Made from Polypropylene

Fits 11-60 Gallon Sprayers

Bagged

Spot Sprayer Replacement Part Kit

Part: 34-140029-CSK

UPC: 816403006163



Drain Cap, Gasket & Tether

Gun Clips & Screw

3/8" MNPT x 3/8" HB Fitting

For All Sprayer Tanks

Spray Gun Repair Kit (SG-2200 & SG-3200)

Part: SG-2200KIT-CSK

UPC: 816403005982



Some of the most common wear items for the SG-2200 and SG-3200 spray guns. Includes all of the above.

Dry Fill Pressure Gauges

Part: CS-1224DAB100

UPC: 816403004657

Back

Part: CS-1124DAB100

UPC: 816403000697

Bottom



2" Dial

Dry Fill

100 PSI Max

Steel Case

Additional pressure range and dial size options available.

Glycerin Fill Mount Pressure Gauge

Part: CS-2141GXB100

UPC: 816403000819

Bottom



2.5" Dial

Vibration Resistant

100 PSI Max

Stainless Steel Case

Additional pressure range and dial size options available.

Revolt Lithium-Ion Replacement Battery

Part: REVOLT-144-B-CSK

UPC: 810044040180



Stay Out Longer with a Second Battery. Quick Swap to Double Your Spray Time, Replace a Lost or Damaged Battery.

Replacement Rubber Hose

Part: 38RUB15-CSK	814485013864
-------------------	--------------



15' Length	3/8" Diameter
Made of Durable Rubber	For Spray Guns & Booms

Safety Gloves & Goggles

Part: CHEM-GLOVE-L	UPC: 814485018623
--------------------	-------------------

Part: CHEM-GOGGLE	UPC: 814485018630
-------------------	-------------------



Size Large Nitrile Gloves	Goggles Fit Over Glasses
Chemical Resistant	ANSIZ87.1-2010 Certified

Chemical Measuring Pitchers

Part: MP-08	UPC: 810044043587	8oz
Part: MP-16	UPC: 810044043365	16oz
Part: MP-32	UPC: 810044043372	32oz
Part: MP-64	UPC: 810044043389	64oz



Food Grade Polypropylene	Ergonomic Handle
Four Convenient Sizes	Raised Markings (fl oz / ml)

Brass Spray Gun Replacement Tip

Part: 900.054-8-CSK	UPC: 816403006071	#8
---------------------	-------------------	----

Part: 900.054-18-CSK	UPC: 816403006088	#18
----------------------	-------------------	-----



Replacement Spray Tip. Brass Construction. Features Adjustable Nozzle & #8 or #18 Orifice.

Replacement Spray Gun Tips

A	Part: SG-4200TIP-CSK	UPC: 816403005951
---	----------------------	-------------------

B	Part: SG-45ASSY-18-CSK	UPC: 816403005937
---	------------------------	-------------------



A	Replacement Spray Tip for the SG-4200 Spray Gun. Features Adjustable Nozzle and #18 Orifice.
---	--

B	Replacement Spray Tip for the SG-4507F & SG-500T Spray Guns. Features Adjustable Nozzle & #18 Orifice.
---	--

New Directional Lawn Trailer Kit

Part: SSFK-1525ND	UPC: 814485011921
-------------------	-------------------



For 15 & 25 Gallon Tanks	All-Steel Design
Foam-Filled, Never Flat Tires	Folding Tongue for Compact Storage

12 Volt Wire Harness with Clamps

Part: 33-103233-CSK UPC: 816403006170



10' Reach 7 Amps Max
16 Gauge Wire On/Off Power Switch

12 Volt Wire Harness with DC Plug

Part: 33-103260-CSK UPC: 816403006255



8' Reach 7 Amps Max
16 Gauge Wire On/Off Power Switch

12 Volt Wire Harness Extension

Part: WHE-14-72-CSK UPC: 814485012232



6' Reach 7 Amps Max
14 Gauge Wire Extends Wire Harness

Quick Attach ATV Mounting Kit

Part: SSKF-ATV-QA UPC: 814485015929



For 15 & 25 Gallon Tanks All-Steel Design
Spring-Loaded Mounts Includes Adjustable Boom
Brackets & Ratchet Straps

Heavy-Duty 12 Volt Wire Harness with Clamps

Part: 33-103351-CSK UPC: 810044044089



8' Reach 20 Amps Max
12 Gauge Wire On/Off Power Switch

12 Volt Wireless Remote Control

Part: 33-103343-CSK UPC: 810044044072



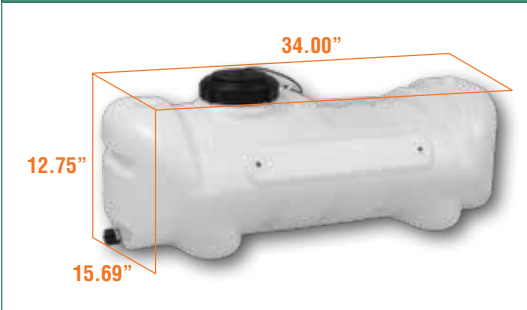
100' Range 20 Amps Max
Enlarged Power Button Comes with Remote Box

SPRAYER ACCESSORIES BULK TANKS

FEATURES

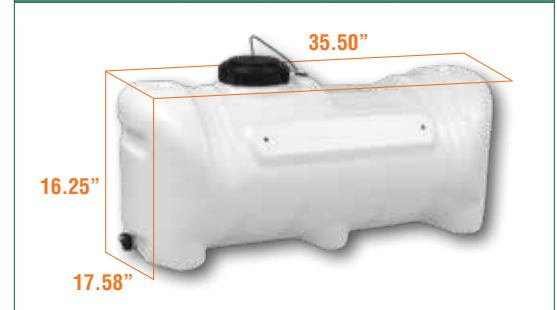
- CHEMICAL RESISTANT POLYPROPYLENE
- RAISED FILL MARKINGS IN GALLONS & LITERS
- FULL DRAIN-OUT CAPABILITY
- STANDARD MOUNTING INSERTS
- GUN CLIP & PUMP INSERTS
- INCLUDES LID W/TETHER & DRAIN CAP W/TETHER
- CUSTOMIZABLE COLOR (MIN ORDER QTY APPLIES)
- AVAILABLE MOLD-IN SUMP (40/60 GALLON ONLY)

15 Gallon Bulk Tanks



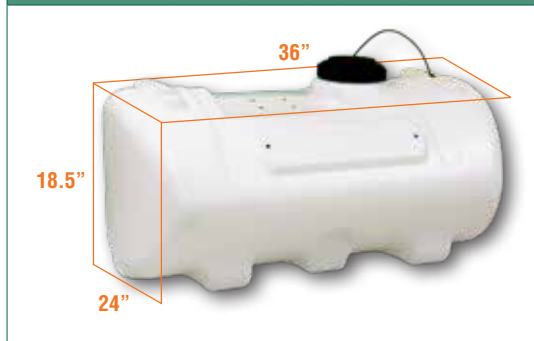
Part #	Color	Lbs	Pallet Qty	UPC
T-015-WWNA-XL	White	7	18	810044043617
T-015-YYNA-XL	Yellow			810044043624

25 Gallon Bulk Tanks



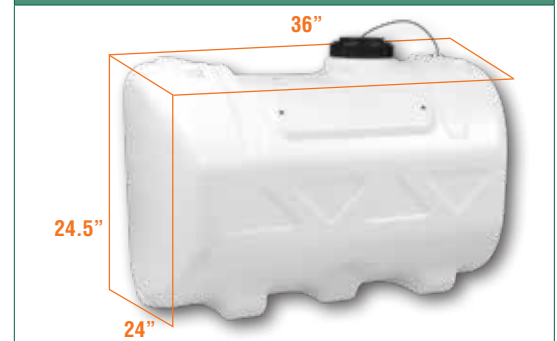
Part #	Color	Lbs	Pallet Qty	UPC
T-025-WWNA-XL	White	12	15	810044043631
T-025-YYNA-XL	Yellow			810044043648

40 Gallon Bulk Tanks



Part #	Color	Sump	Lbs	Pallet Qty	UPC
T-040-WWNA-XL	White	No	16	6	810044043655
T-040-YYNA-XL	Yellow				810044043662
T-040-WWSA-XL	White	Yes	16	6	810044043679
T-040-YYSA-XL	Yellow				810044043686

60 Gallon Bulk Tanks



Part #	Color	Sump	Lbs	Pallet Qty	UPC
T-060-WWNA-XL	White	No	18	6	810044043693
T-060-YYNA-XL	Yellow				810044043709
T-060-WWSA-XL	White	Yes	18	6	810044043716
T-060-YYSA-XL	Yellow				810044043723

NOZZLE CHARTS

80° Flat Fan Nozzles	PSI	Capacity Per Nozzle		Gallons/Acre 20" Spacing							
		GPM	Oz/Min	4MPH	5MPH	6MPH	7MPH	8MPH	9MPH	10MPH	12MPH
90.080.002-CSK	30	0.17	22.0	12.6	10.1	8.4	7.2	6.3	5.6	5.0	4.2
	40	0.20	26.0	14.9	11.9	9.9	8.5	7.4	6.6	5.9	5.0
	50	0.22	28.0	16.3	13.1	10.9	9.3	8.2	7.3	6.5	5.4
	60	0.24	31.0	17.8	14.3	11.9	10.2	8.9	7.9	7.1	5.9
	75	0.27	34.8	20.0	16.1	13.4	11.5	10.0	8.9	8.0	6.6
90.080.003-CSK	30	0.26	33.0	19.3	15.4	12.9	11.0	9.7	8.6	7.7	6.4
	40	0.30	38.0	22.0	17.8	14.9	12.7	11.1	9.9	8.9	7.4
	50	0.34	44.0	25.0	20.0	16.8	14.4	12.6	11.2	10.1	8.4
	60	0.37	47.0	27.0	22.0	18.3	15.7	13.7	12.2	11.0	9.2
	75	0.42	52.9	30.4	24.8	20.6	17.7	15.4	13.7	12.4	10.4
90.080.004-CSK	30	0.35	45.0	26.0	21.0	17.3	14.9	13.0	11.6	10.4	8.7
	40	0.40	51.0	30.0	24.0	19.8	17.0	14.9	13.2	11.9	9.9
	50	0.45	58.0	33.0	27.0	22.0	19.1	16.7	14.9	13.4	11.1
	60	0.49	63.0	36.0	29.0	24.0	21.0	18.2	16.2	14.6	12.1
	75	0.55	70.7	40.4	32.6	27.0	23.6	20.4	18.2	16.4	13.6
90.080.006-CSK	30	0.43	55.0	32.0	26.0	21.0	18.2	16.0	14.2	12.8	10.6
	40	0.50	64.0	37.0	30.0	25.0	21.0	18.6	16.5	14.9	12.4
	50	0.56	72.0	42.0	33.0	28.0	24.0	21.0	18.5	16.6	13.9
	60	0.61	78.0	45.0	36.0	30.0	26.0	23.0	20.0	18.1	15.1
	75	0.67	86.0	49.6	39.7	33.1	28.7	25.4	22.1	20.0	16.7
90.080.008-CSK	30	0.69	88.0	51.0	41.0	34.0	29.0	26.0	23.0	20.0	17.1
	40	0.80	102.0	59.0	48.0	40.0	34.0	30.0	26.0	24.0	19.8
	50	0.89	114.0	66.0	53.0	44.0	38.0	33.0	29.0	26.0	22.0
	60	0.98	125.0	73.0	58.0	49.0	42.0	36.0	32.0	29.0	24.0
	75	1.09	140.0	81.8	65.0	54.9	47.0	40.3	35.8	32.5	26.9

140° Deflector Nozzles	PSI	Capacity Per Nozzle		Gallons/Acre							
		GPM	Oz/Min	30" Spacing				40" Spacing			
				5MPH	6MPH	7MPH	8MPH	5MPH	6MPH	7MPH	8MPH
DF2.0-CSK	10	0.20	26	7.9	6.6	5.7	5.0	5.9	5.0	4.2	3.7
	20	0.28	36	11.1	9.2	7.9	6.9	8.3	6.9	5.9	5.2
	30	0.35	45	13.9	11.6	9.9	8.7	10.4	8.7	7.4	6.5
	40	0.40	51	15.8	13.2	11.3	9.9	11.9	9.9	8.5	7.4
	10	0.25	32	9.9	8.3	7.1	6.2	7.5	6.2	5.3	4.7
DF2.5-CSK	20	0.36	46	14.0	11.5	10.0	8.8	10.5	8.8	7.6	6.6
	30	0.44	56	17.0	14.5	12.5	11.0	13.0	11.0	9.3	8.1
	40	0.50	64	20.0	16.5	14.0	12.5	15.0	12.5	10.5	9.3
	10	0.30	39	11.9	9.9	8.6	7.5	8.9	7.5	6.3	5.6
	20	0.42	54	16.7	13.8	11.9	10.4	12.5	10.4	8.9	7.8
DF3.0-CSK	30	0.53	68	20.9	17.4	14.9	13.1	15.6	13.1	11.1	9.8
	40	0.60	77	23.7	19.8	17.0	14.9	17.9	14.9	12.8	11.1
	10	0.40	52	15.8	13.2	11.4	10.0	11.8	10.0	8.4	7.4
	20	0.56	72	22.2	18.4	15.8	13.8	16.6	13.8	11.8	10.4
	30	0.70	90	27.8	23.2	19.8	17.4	20.8	17.4	14.8	13.0
DF4.0-CSK	40	0.80	102	32	26.4	22.6	19.8	23.8	19.8	17.0	14.8
	10	0.50	64	20	16.5	14.1	12.4	14.9	12.4	10.6	9.3
	20	0.71	91	28	23	20	17.6	21	17.6	15.1	13.2
	30	0.87	111	34	29	25	22	26	22	18.5	16.1
	40	1.00	128	40	33	28	25	30	25	21.0	18.6
DF7.5-CSK	10	0.75	96	30	25	21	19	22	19	15.9	14.0
	20	1.07	137	42	35	30	26	32	26	23	19.8
	30	1.31	167	51	44	38	33	39	33	28	24
	40	1.50	192	60	50	42	38	45	38	32	28
	DF10.0-CSK	10	1.00	128	40	33	28	25	30	25	21
20		1.42	182	56	46	40	35	42	35	30	26
30		1.74	222	68	58	50	44	52	44	37	32
40		2.00	256	80	66	56	50	60	50	42	37

SPRAYING SIMPLE

MOBILE SPRAY ASSISTANT APP



DOWNLOAD FREE FOR ANDROID & IPHONE

- SELECT YOUR SPRAYING EQUIPMENT BY BOOM OR NOZZLE, THEN SET DESIRED SPEED AND PSI.
- MEASURE YOUR AREA BY WALKING THE PERIMETER OR BY MANUALLY ADDING PIN POINTS TO THE MAP.
- INPUT YOUR DESIRED SPEED RANGE FOR CONSISTENT SPRAYING.
- MONITOR IT WITH GPS SPEEDOMETER AND AUDIO WARNINGS FOR IMPROPER SPEED.

110° Air Induction Nozzles	PSI	Capacity Per Nozzle		Gallons/Acre 20" Spacing						
		GPM	Oz/Min	4MPH	5MPH	6MPH	8MPH	10MPH	12MPH	15MPH
G-8259492-CSK	30	0.17	22	12.6	10.1	8.4	6.3	5	4.2	3.4
	40	0.2	26	14.9	11.9	9.9	7.4	5.9	5	4
	50	0.22	28	16.3	13.1	10.9	8.2	6.5	5.4	4.4
	60	0.24	31	17.8	14.3	11.9	8.9	7.1	5.9	4.7
	75	0.27	35	20	16	13.4	10	8	6.7	5.3
G-8259493-CSK	90	0.3	38	22	17.8	14.9	11.1	8.9	7.4	5.9
	30	0.22	28	16.3	13.1	10.9	8.2	6.5	5.4	4.4
	40	0.25	32	18.6	14.9	12.4	9.3	7.4	6.2	5
	50	0.28	36	21	16.6	13.9	10.4	8.3	6.9	5.5
	60	0.31	40	23	18.4	15.3	11.5	9.2	7.7	6.1
G-8259494-CSK	75	0.34	44	25	20	16.8	12.6	10.1	8.4	6.7
	90	0.38	49	28	23	18.8	14.1	11.3	9.4	7.5
	30	0.26	33	19.3	15.4	12.9	9.7	7.7	6.4	5.1
	40	0.3	38	22	17.8	14.9	11.1	8.9	7.4	5.9
	50	0.34	44	25	20	16.8	12.6	10.1	8.4	6.7
G-8259495-CSK	60	0.37	47	27	22	18.3	13.7	11	9.2	7.3
	75	0.41	52	30	24	20	15.2	12.2	10.1	8.1
	90	0.45	58	33	27	22	16.7	13.4	11.1	8.9
	30	0.35	45	26	21	17.3	13	10.4	8.7	6.9
	40	0.4	51	30	24	19.8	14.9	11.9	9.9	7.9
G-8259496-CSK	50	0.45	58	33	27	22	16.7	13.4	11.1	8.9
	60	0.49	63	36	29	24	18.2	14.6	12.1	9.7
	75	0.55	70	41	33	27	20	16.3	13.6	10.9
	90	0.6	77	45	36	30	22	17.8	14.9	11.9
	G-8259557-CSK	30	0.43	55	32	26	21	16	12.8	10.6
40		0.5	64	37	30	25	18.6	14.9	12.4	9.9
50		0.56	72	42	33	28	21	16.6	13.9	11.1
60		0.61	78	45	36	30	23	18.1	15.1	12.1
75		0.68	87	50	40	34	25	20	16.8	13.5
G-8259557-CSK	90	0.75	96	56	45	37	28	22	18.6	14.9
	30	0.52	67	39	31	26	19.3	15.4	12.9	10.3
	40	0.6	77	45	36	30	22	17.8	14.9	11.9
	50	0.67	86	50	40	33	25	19.9	16.6	13.3
	60	0.73	93	54	43	36	27	22	18.1	14.5
75	0.82	105	61	49	41	30	24	20	16.2	
90	0.9	115	67	53	45	33	27	22	17.8	

BOOMLESS NOZZLE CHARTS



PART: BN2BP152FWX - GALLONS PER ACRE						
PSI	GPM	3 MPH	4 MPH	5 MPH	6 MPH	
20	2	15.5	12	9.5	7	
30	2.3	17	12.5	10	9	
40	2.9	22	16	13	10.5	

PART: BN2BP116LSX OR BN2BP116RSX - GALLONS PER ACRE						
PSI	GPM	3 MPH	4 MPH	5 MPH	6 MPH	
20	1.2	12.4	9.3	7.4	6.2	
30	1.4	14.4	10.8	8.7	7.2	
40	1.6	16.5	12.4	9.9	8.3	

PART: BN2BP125FWX - GALLONS PER ACRE						
PSI	GPM	3 MPH	4 MPH	5 MPH	6 MPH	
20	1.5	16	12	8	7.5	
30	1.7	18	13	11	9	
40	2	21	16	12	10	

PART: BN2BP088LSX OR BN2BP088RSX - GALLONS PER ACRE						
PSI	GPM	3 MPH	4 MPH	5 MPH	6 MPH	
20	0.8	8.3	6.2	5	4.1	
30	1	10.3	7.7	6.2	5.2	
40	1.2	12.4	9.3	7.4	6.2	

PART: 6540-01 - GALLONS PER ACRE - 180° NOZZLE CAP							
PSI	GPM	SWATH	3 MPH	4 MPH	5 MPH	8 MPH	10 MPH
30	1.7	44'	6.4	4.8	3.8	2.4	1.9
40	2.0	46'	7.2	5.4	4.3	2.7	2.2
50	2.2	48'	7.6	5.7	4.5	2.9	2.3
60	2.4	50'	7.9	5.9	4.8	3.0	2.4

90° Nozzle Cap Has Same GPA but 1/2 GPM & Swath

PART: 6541-01 - GALLONS PER ACRE - 180° NOZZLE CAP							
PSI	GPM	SWATH	3 MPH	4 MPH	5 MPH	8 MPH	10 MPH
30	3.7	50'	12.0	9.2	7.3	4.6	3.7
40	4.2	50'	13.9	10.4	8.3	5.2	4.2
50	4.6	52'	14.6	10.9	8.8	5.5	4.4
60	5.0	52'	15.8	11.9	9.5	5.9	4.8

90° Nozzle Cap Has Same GPA but 1/2 GPM & Swath

PART: 6542-01 - GALLONS PER ACRE - 180° NOZZLE CAP							
PSI	GPM	SWATH	3 MPH	4 MPH	5 MPH	8 MPH	10 MPH
30	5.1	54'	15.6	11.6	9.3	5.8	4.7
40	5.9	54'	18.0	13.5	10.8	6.8	5.4
50	6.7	56'	19.7	14.8	11.8	7.4	5.9
60	7.1	58'	20.2	15.1	12.1	7.6	6.1

90° Nozzle Cap Has Same GPA but 1/2 GPM & Swath

Charts Tabulation Based on
Spraying Water Amount Shown
is Per Nozzle Type

**SPRAYING
SIMPLE**
MOBILE SPRAY ASSISTANT APP



DOWNLOAD
FREE FOR
ANDROID &
IPHONE

- SELECT YOUR SPRAYING EQUIPMENT BY BOOM OR NOZZLE, THEN SET DESIRED SPEED AND PSI.
- MEASURE YOUR AREA BY WALKING THE PERIMETER OR BY MANUALLY ADDING PIN POINTS TO THE MAP.
- INPUT YOUR DESIRED SPEED RANGE FOR CONSISTENT SPRAYING.
- MONITOR IT WITH GPS SPEEDOMETER AND AUDIO WARNINGS FOR IMPROPER SPEED.

SPRAYER ACCESSORY PDQs



PROFITABLE HIGH-VELOCITY SKUS

Get rapid turnover that generates a steady stream of revenue and profitability.

MODULAR DESIGN TO MAXIMIZE RETAIL SPACE

Compact footprint that can be strategically placed in high-traffic areas, prominent locations, or remove the trays and hang on end caps.

IMPULSE PURCHASES

Entice customers to make unplanned purchases while they are in the buying mindset.

SET IT AND FORGET IT

Requires minimal setup for fast-track product stocking for your sales force.



Includes the Following SKUs:

PART #	DESCRIPTION	QTY	UPC
SG-4200-18	Adjustable Spray Gun	24	816403003476
33-103233-CSK	Wire Harness w/ Clamps	24	816403006170
33-103260-CSK	Wire Harness w/ DC Plug	12	816403006255



1

SPRAY GUN & WIRE HARNESS DISPLAY

Part #	AGSPRAY-PDQ-1
UPC	810044043952
Weight	40 lbs
Display Dimensions	28" L x 16" W x 52" H
Shipping Dimensions	34.25" L x 28.25" W x 8.5" H



Includes the Following SKUs:

PART #	DESCRIPTION	QTY	UPC
SG-4200-18	Adjustable Spray Gun	24	816403003476
SG-2218-18	Deluxe Adjustable Spray Gun	18	816403003445



2

STANDARD & DELUXE SPRAY GUN DISPLAY

Part #	AGSPRAY-PDQ-2
UPC	810044043969
Weight	32 lbs
Display Dimensions	28" L x 16" W x 52" H
Shipping Dimensions	34.25" L x 28.25" W x 8.5" H



www.valleyind.com

Fluid Components,
Ag Parts & Pressure Washer
Accessories



www.cometpump.com

Diaphragm Pumps, High
Pressure Plunger Pumps
& Accessories



www.everflopump.com

12 Volt Diaphragm Pumps,
Fresh Water Pumps, Soft
Wash Pumps & Accessories



www.mistsprayers.com

PTO & Engine Driven
Mist Sprayers



www.bestwayag.com

Professional Ag Sprayers,
Attachments, & Accessories



MASTER MFG
180 LAKE AVENUE N.
PAYNESVILLE, MN 56362

MM-CATALOG-2025

ORDERS: 800-864-1649
SUPPORT: 800-825-5397
FAX: 888-708-1895

ONLINE: WWW.MASTER-MFG.COM
EMAIL: SALES@VALLEYIND.COM